

Lighting scenarios

Cu-Beam Duo suspended lights are compatible with DALI, PWM and Analogue (0-10V, 1-10V) interfaces. Here is some useful information about each interface, including wiring diagrams to support with installation of Cu-Beam Duo suspended lights.

| | |
|----|---|
| 02 | Glossary |
| 03 | Analogue (0-10V, 1-10V) |
| 04 | Analogue (0-10V, 1-10V) with PIR sensor |
| 05 | Analogue (0-10V, 1-10V) with RF/Wireless sensor |
| 06 | PWM |
| 07 | PWM with PIR sensor |
| 08 | PWM with RF/Wireless sensor |
| 09 | DALI |
| 10 | Mixed system – DALI and Analogue (0-10V, 1-10V) |
| 11 | Mixed system – DALI and PWM |



Control

The ability to modify the light output of a luminaire or a group of luminaires.

Dim

Modifying the light output (brightness).

Split

Modifying the up and down light ratio.

Dim remote

Modifying the light output (brightness) via a control signal (away from the product).

Split remote

Modifying the up and down light ratio via a control signal (away from the product).

Group

The ability to control a fixed group of luminaires with control signals. In this case, each luminaire will respond identically.

Flexible group

The ability to control a group of luminaires that have been addressed individually. In this case, the luminaries can be controlled individually or as a group.

Sensor

An electronic device that can measure local conditions and control the luminaire directly or feed information in to the lighting management system. Smart building sensors are capable of measuring variables like ambient light levels, fire presence, humidity level etc.

PIR sensor

Passive-Infra-Red sensor is an electronic sensor, frequently used as a motion detector which can control luminaire light output, including switching on and off as a result of movement. This can control the luminaire directly or feed information in to the lighting management system.

RF/Wireless sensor

Radio Frequency is an electromagnetic wave used to communicate with a light management system. This removes the need to hardwire new installations and is therefore wireless.

Analogue (0-10V, 1-10V)

This is a type of lighting control that allows the user to modify the luminaire light output by altering the voltage delivered. This is frequently referred to as 0-10V or 1-10V dimming.

DALI

Digital-Addressable-Lighting-Interface is another lighting control system that treats each luminaire as a digital device, allowing for two-way communication between the luminaire and the light management system.

LMS

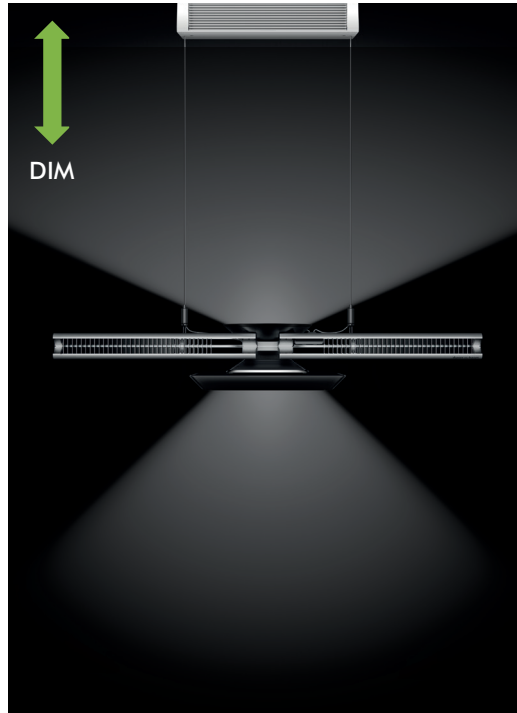
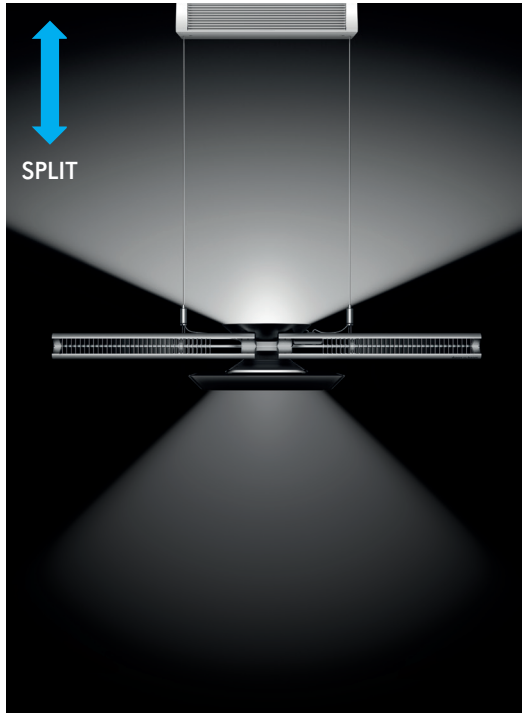
Light Management System is an electronic device that controls the luminaires connected to it.

PWM

Pulse Width Modulation is another lighting control system that allows the user to modify the luminaire light output by altering the width of pulses sent to the luminaire.

Scenario

To be able to split and dim each Cu-Beam Duo suspended light individually. At any time, using dials on the wall.



0-10V 1-10V



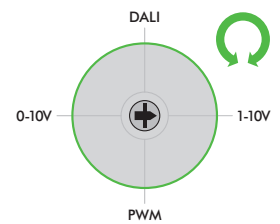
DIM remote **Yes**

Split remote **Yes**

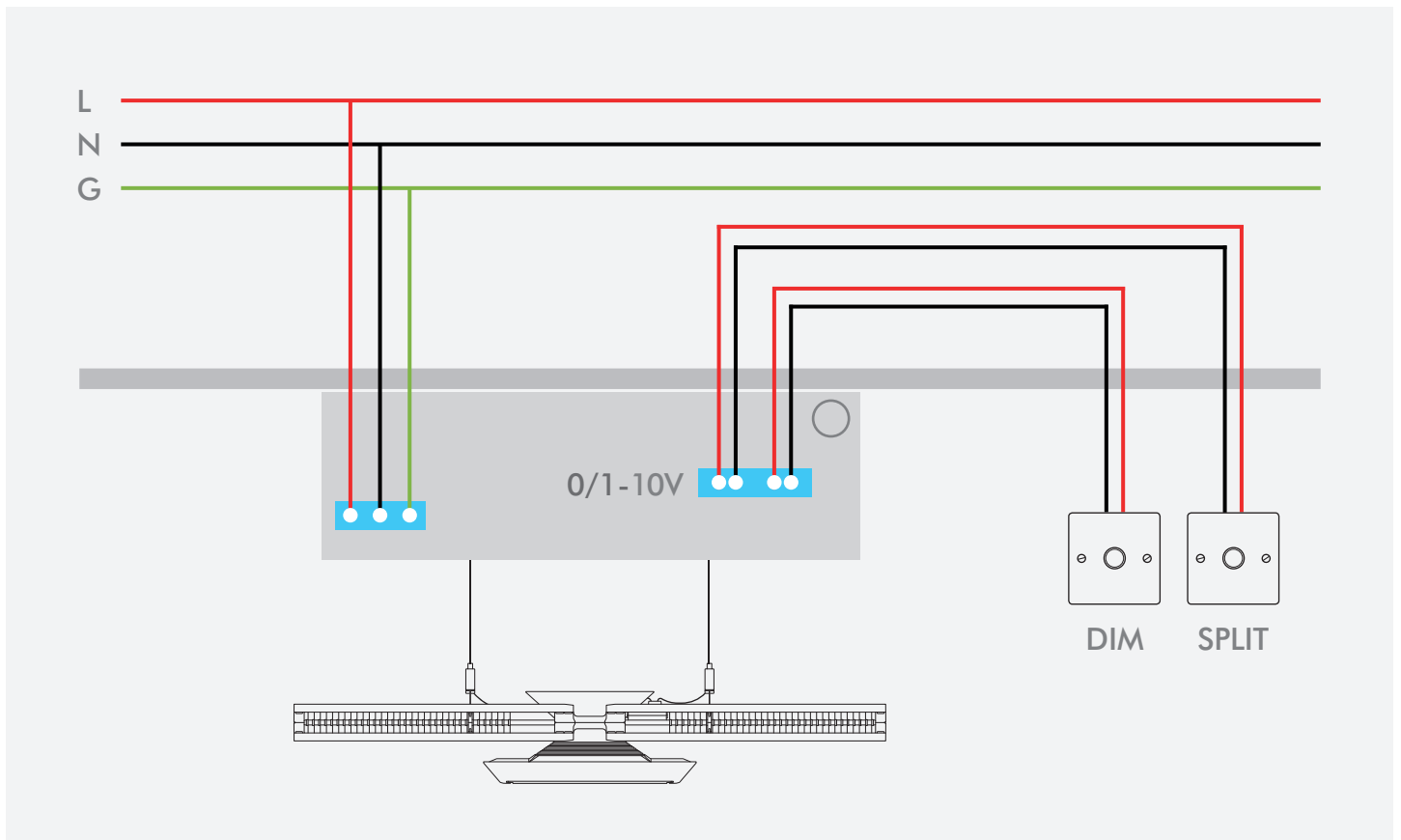
Group **Yes**

Flexible group **No**

Add sensor **No**



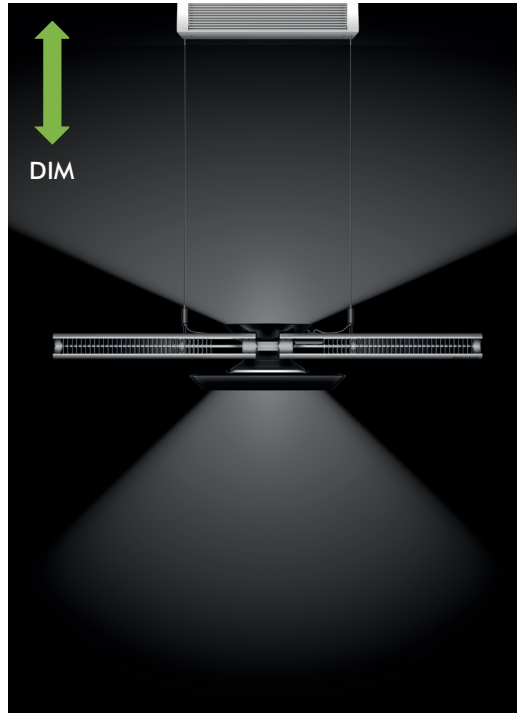
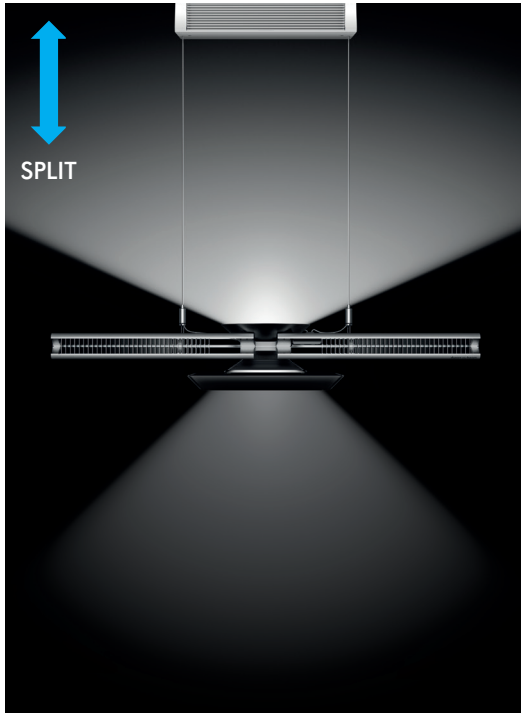
Driver selector dial



Analogue (0-10V, 1-10V) with PIR sensor

Scenario

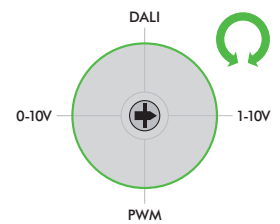
To be able to split and dim each Cu-Beam Duo suspended light individually. At any time, using dials on the wall and a PIR sensor to turn the luminaire on and off.



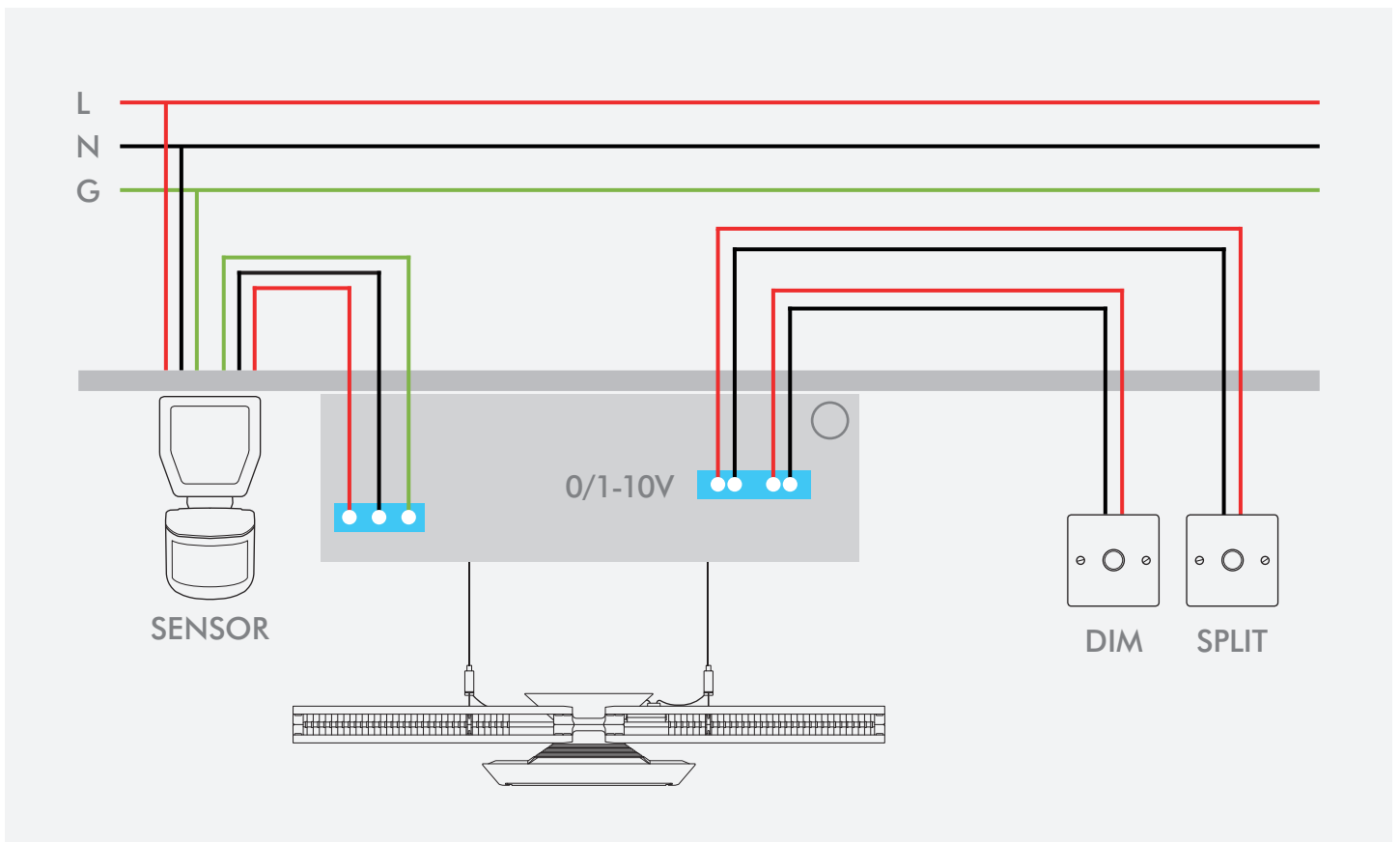
0-10V 1-10V



| | |
|----------------|-----|
| DIM remote | Yes |
| Split remote | Yes |
| Group | Yes |
| Flexible group | No |
| Add sensor | Yes |



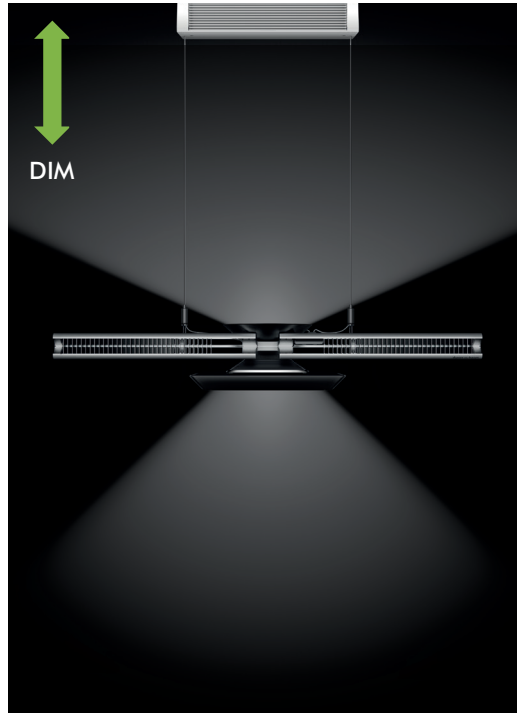
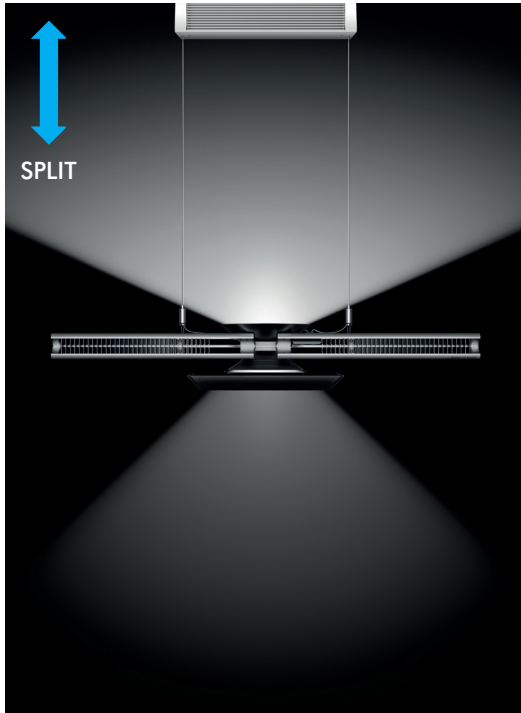
Driver selector dial



Analogue (0-10V, 1-10V) with RF/Wireless sensor

Scenario

To be able to split and dim each Cu-Beam Duo suspended light individually. At any time using wireless technology. Without chasing out the wall.



0-10V 1-10V



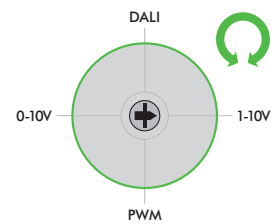
DIM remote **Yes**

Split remote **Yes**

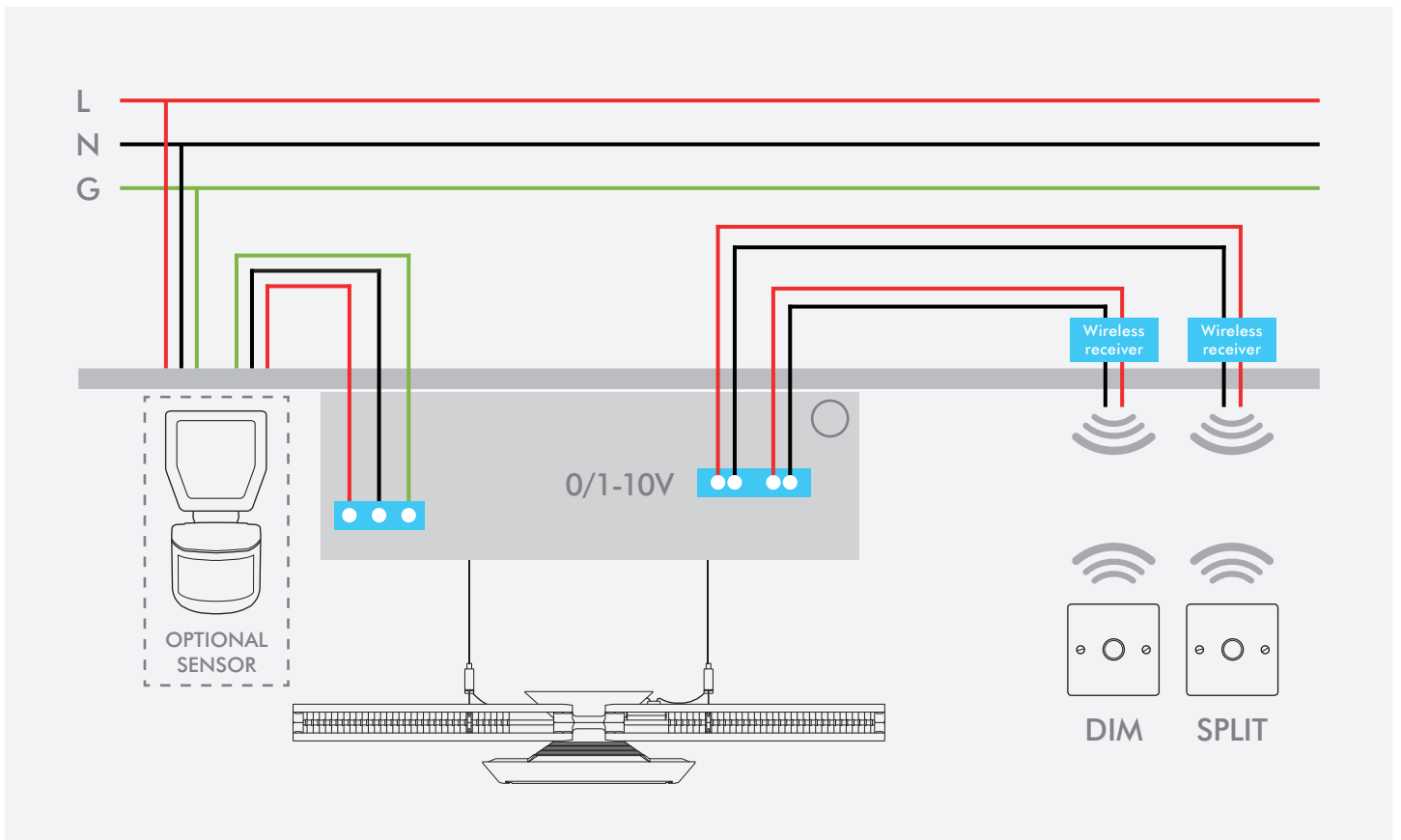
Group **Yes**

Flexible group **No**

Add sensor **Yes**

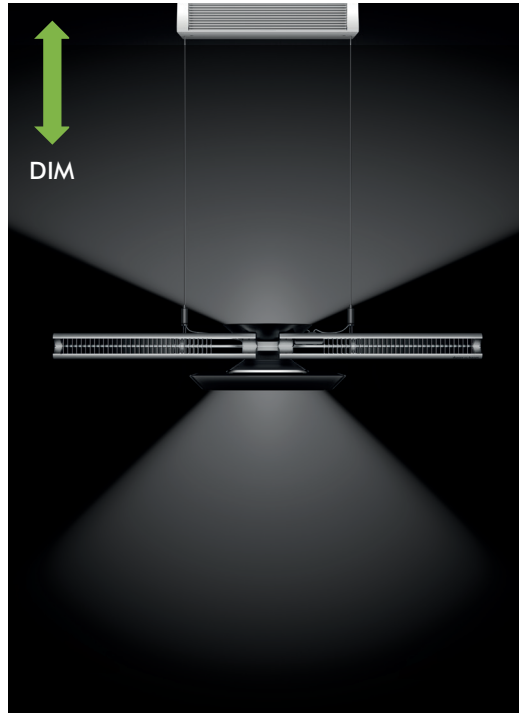
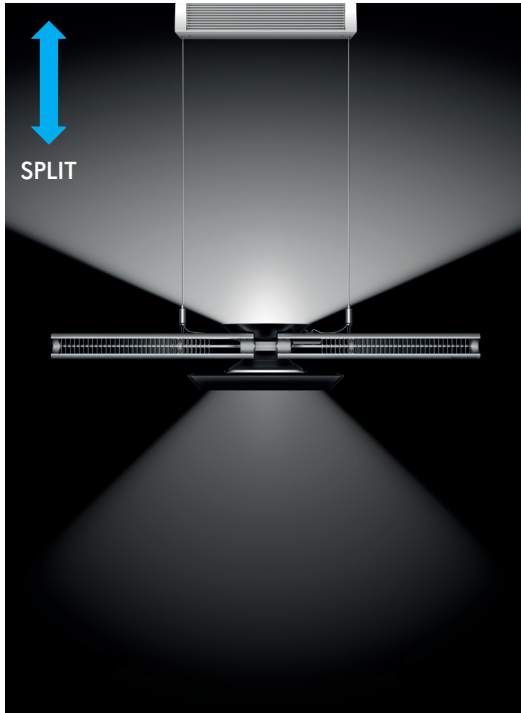


Driver selector dial



Scenario

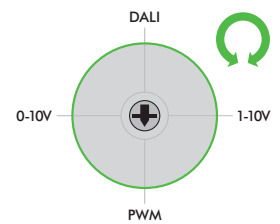
To be able to split and dim each Cu-Beam Duo suspended light individually. At any time, using dials on the wall and a PWM interface.



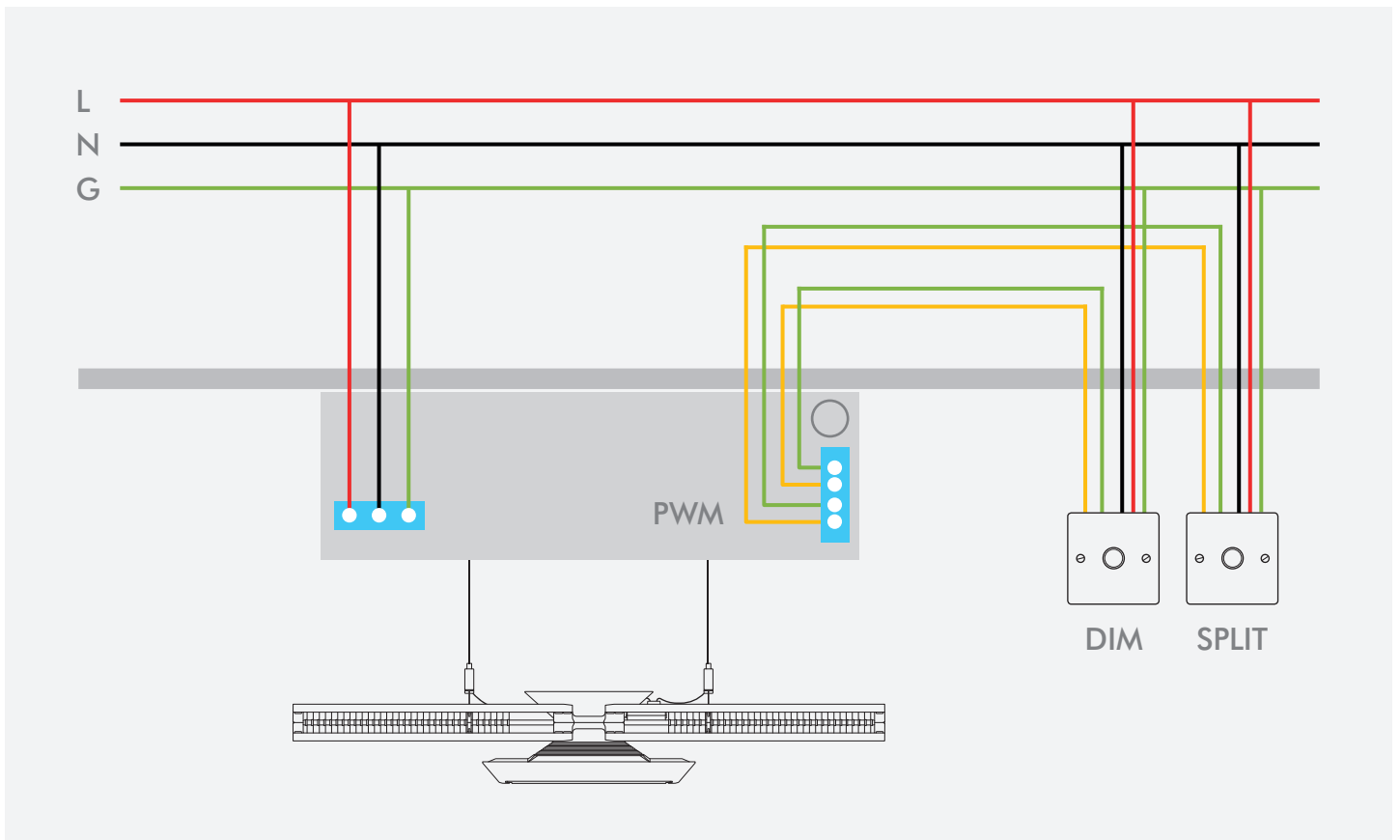
PWM



| | |
|----------------|-----|
| DIM remote | Yes |
| Split remote | Yes |
| Group | Yes |
| Flexible group | No |
| Add sensor | No |

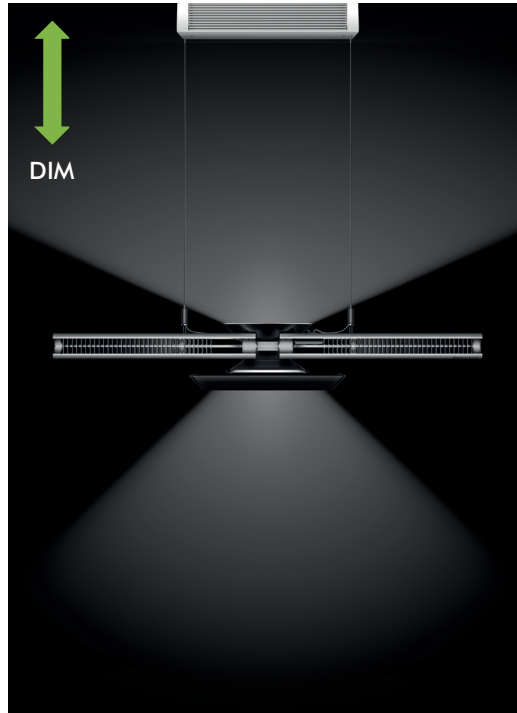
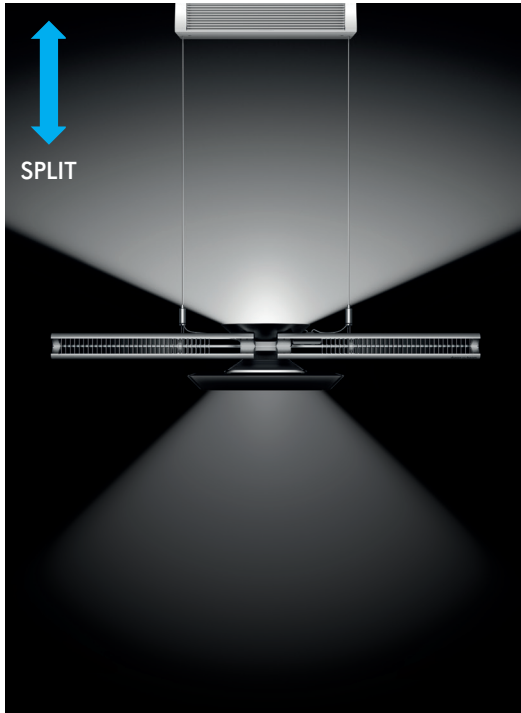


Driver selector dial



Scenario

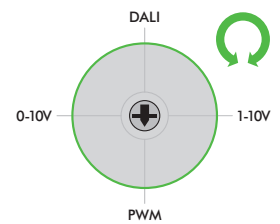
To be able to split and dim each Cu-Beam Duo suspended light individually. At any time, using dials on the wall, a PIR sensor and a PWM interface.



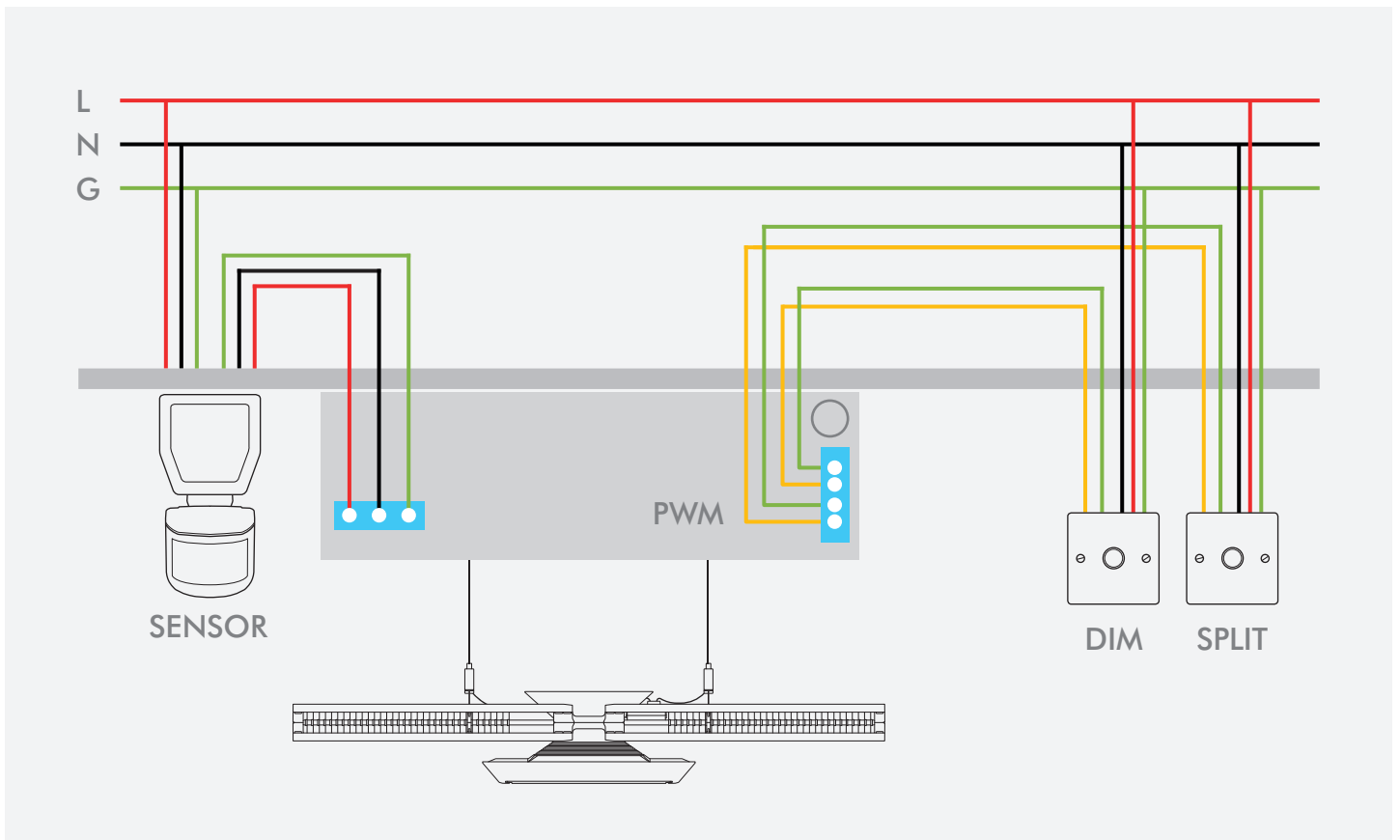
PWM



| | |
|----------------|-----|
| DIM remote | Yes |
| Split remote | Yes |
| Group | Yes |
| Flexible group | No |
| Add sensor | Yes |

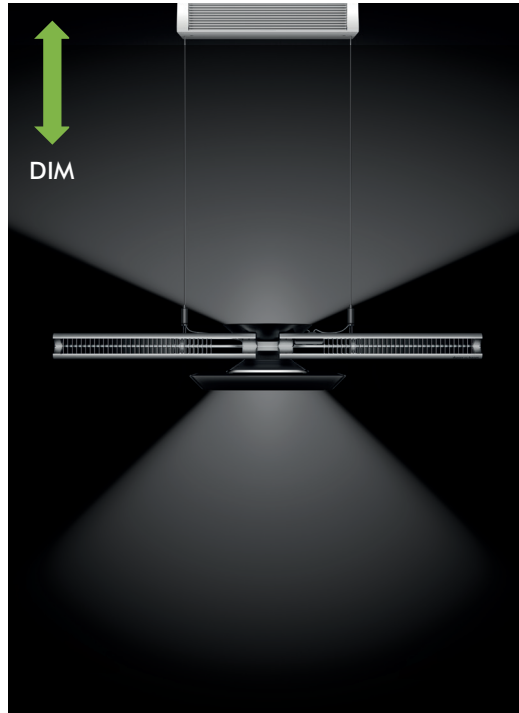
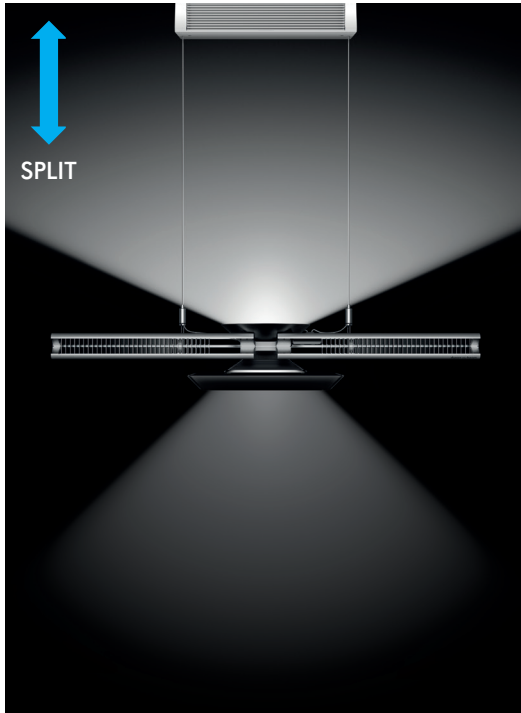


Driver selector dial



Scenario

To be able to split and dim each Cu-Beam Duo suspended light individually. At any time, using wireless technology and a PWM interface.



PWM



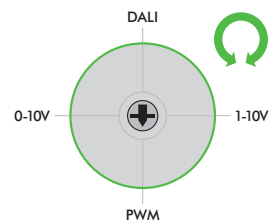
DIM remote **Yes**

Split remote **Yes**

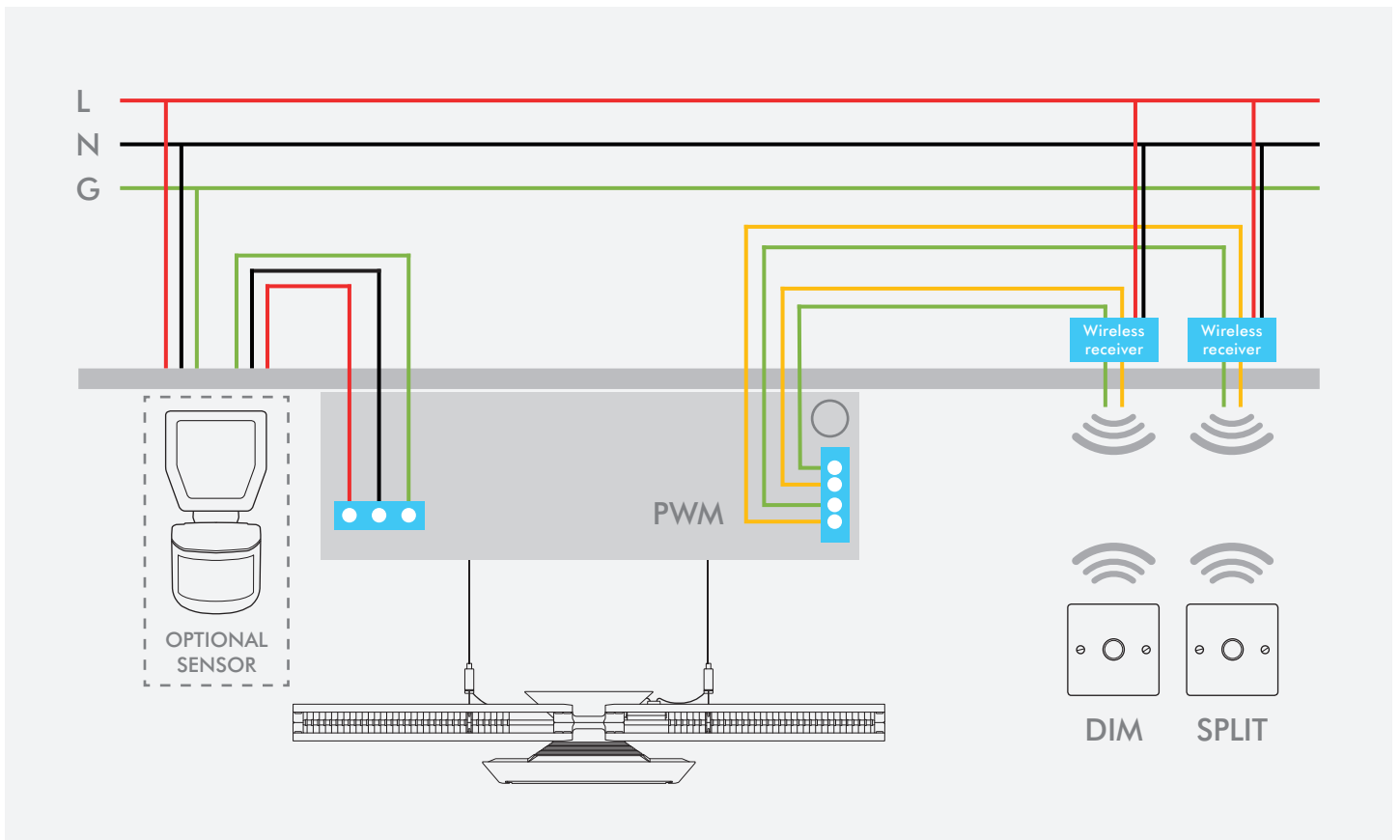
Group **Yes**

Flexible group **No**

Add sensor **Yes**

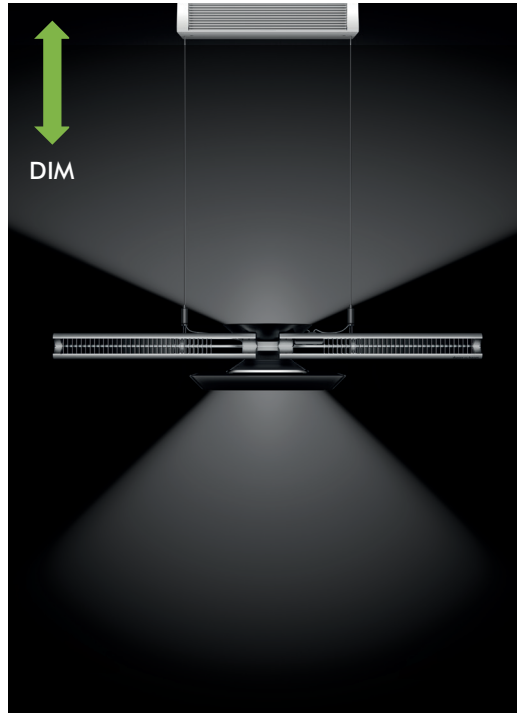
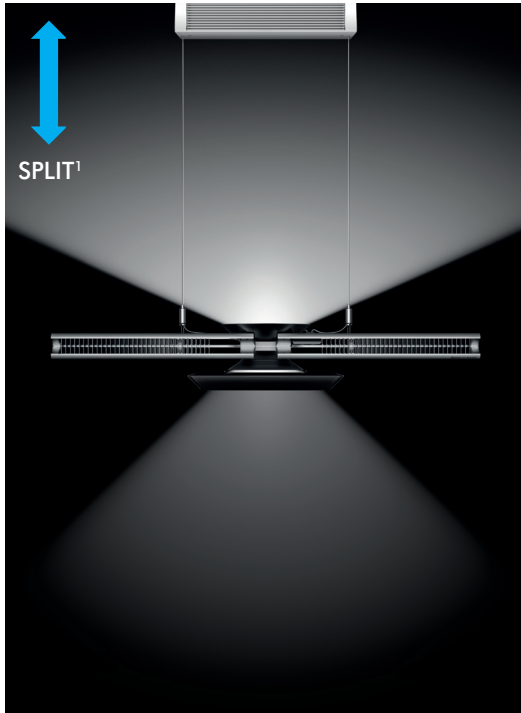


Driver selector dial



Scenario

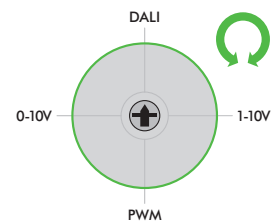
Split ratio of up and down light to rarely change.
To be able to dim the Cu-Beam Duo suspended lights and have the benefits of an intelligent control system.



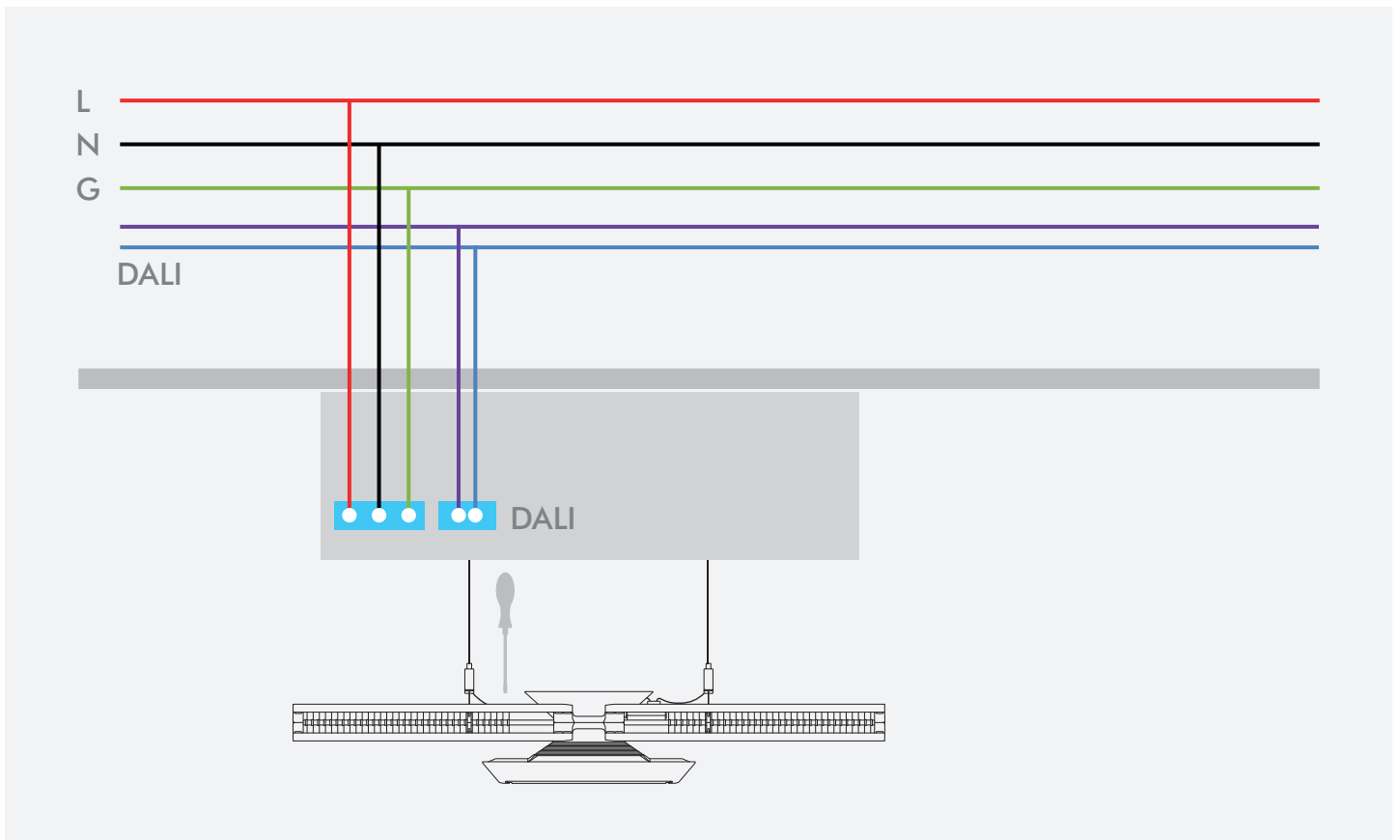
DALI



| | |
|----------------|-----|
| DIM remote | Yes |
| Split remote¹ | No |
| Group | Yes |
| Flexible group | Yes |
| Add sensor | Yes |



Driver selector dial

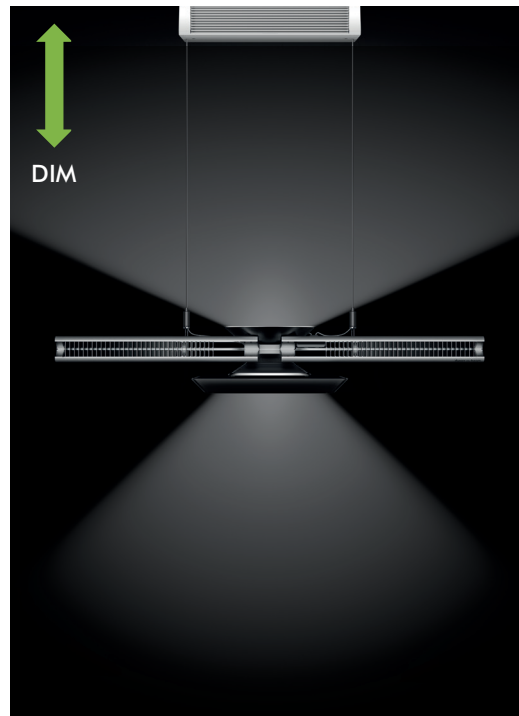
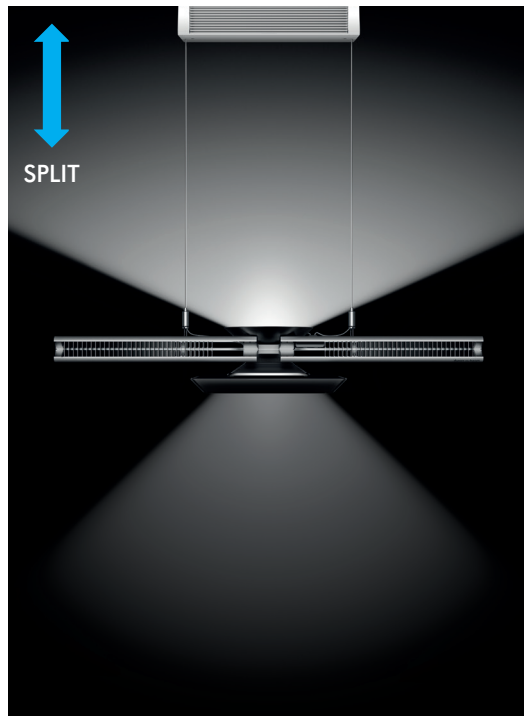


¹Possible to adjust split manually on luminaire.

Mixed system – DALI and Analogue (0-10V, 1-10V)

Scenario

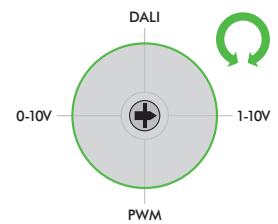
To be able to split and dim each Cu-Beam Duo suspended light at any time. With the benefits of DALI, coupled with smart sensors to provide an intelligent lighting system.



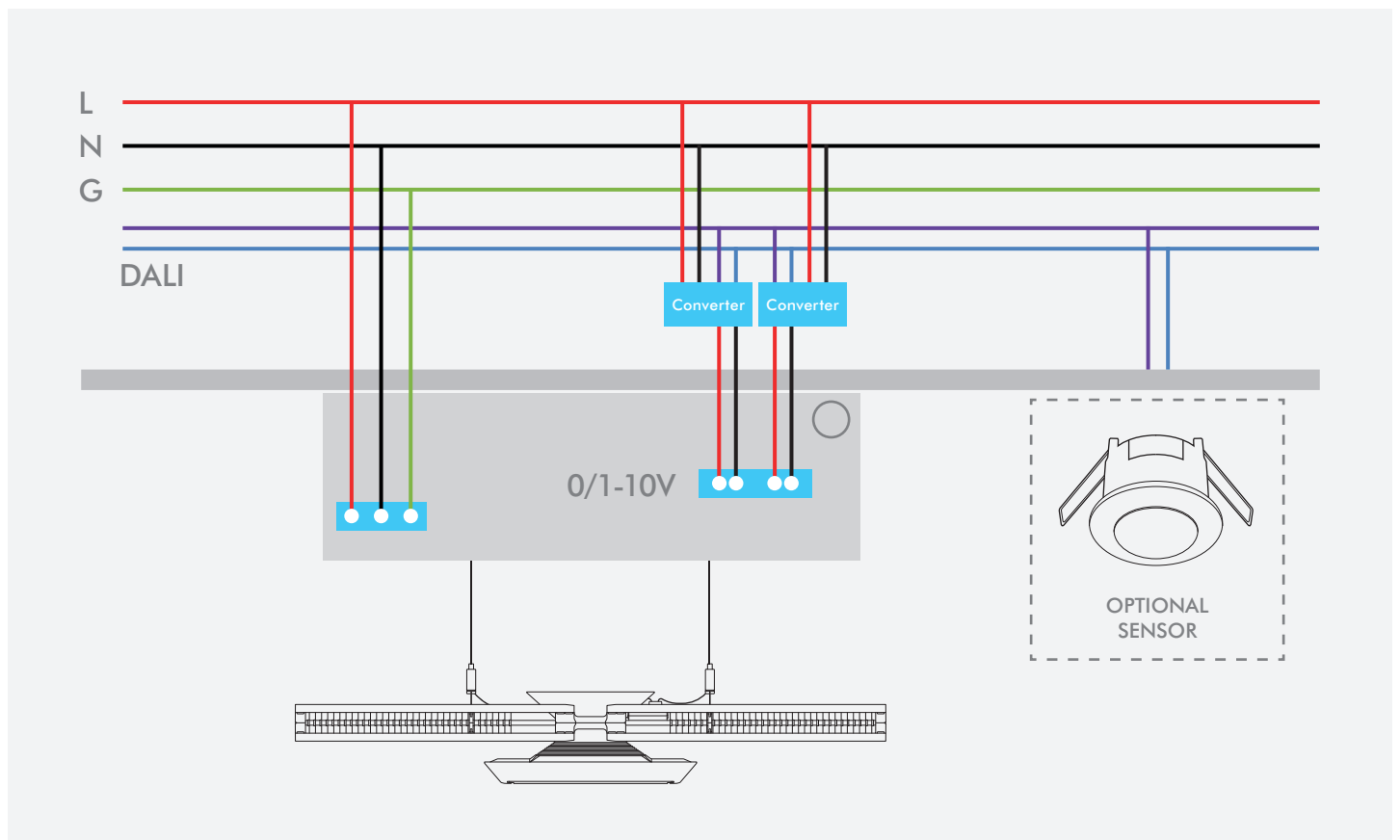
0-10V 1-10V



| | |
|-----------------------------|-----|
| DIM remote | Yes |
| Split remote | Yes |
| Group | Yes |
| Flexible group ² | Yes |
| Add sensor | Yes |



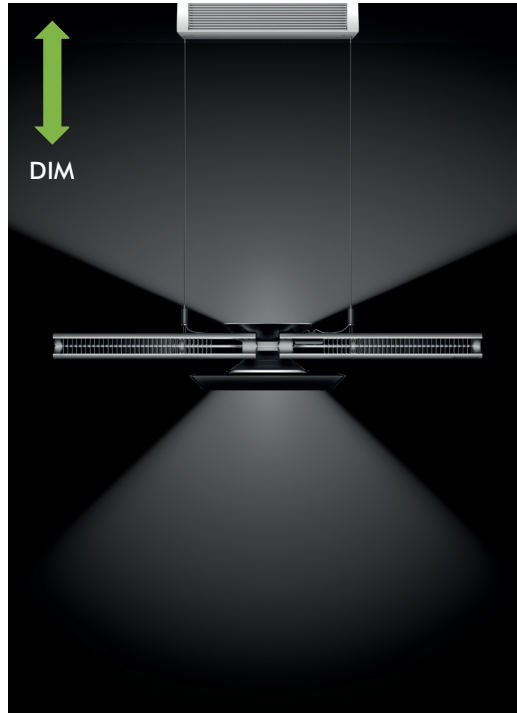
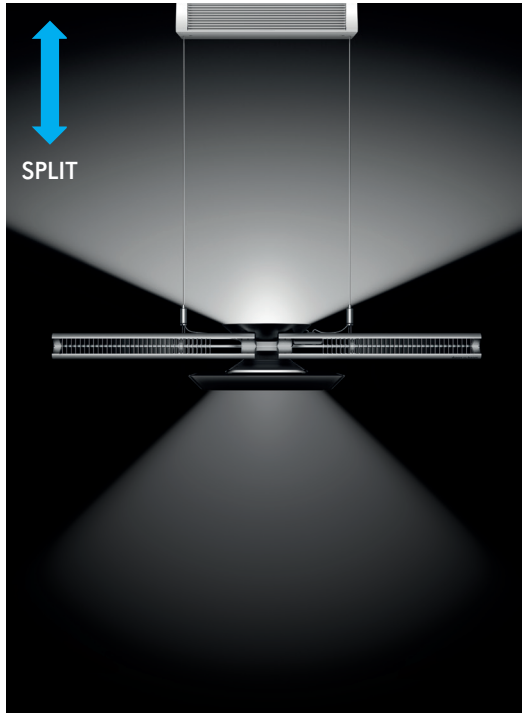
Driver selector dial



²To achieve a flexible group solution each unit in the installation needs its own pair of converters. The user then has the ability to group and control units in a flexible manner.

Scenario

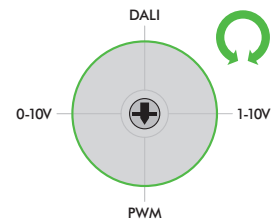
To be able to split and dim each Cu-Beam Duo suspended light at any time. With the benefits of DALI, coupled with smart sensors to provide an intelligent lighting system.



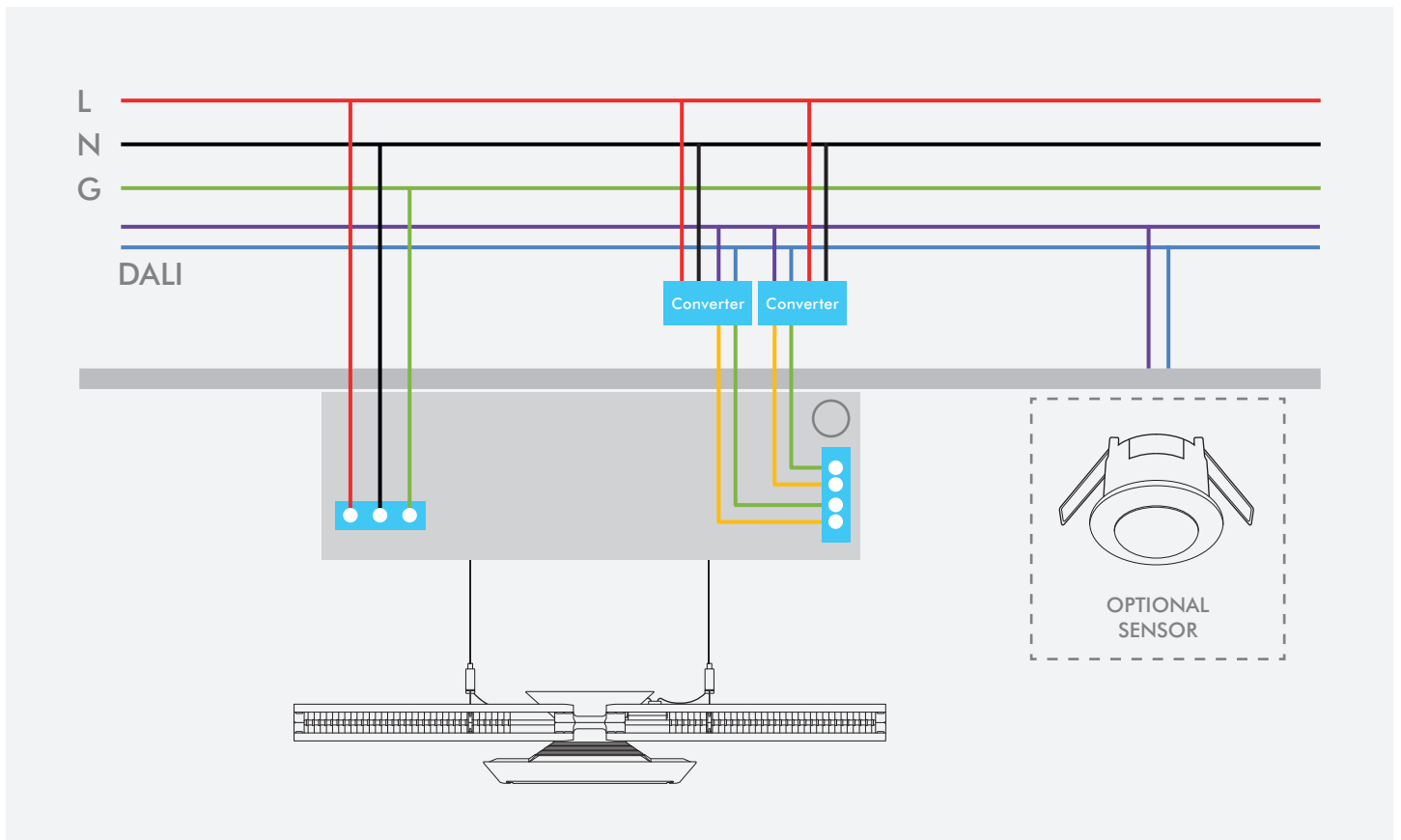
PWM



| | |
|-----------------------------|-----|
| DIM remote | Yes |
| Split remote | Yes |
| Group | Yes |
| Flexible group ² | Yes |
| Add sensor | Yes |



Driver selector dial



²To achieve a flexible group solution each unit in the installation needs its own pair of converters. The user then has the ability to group and control units in a flexible manner.