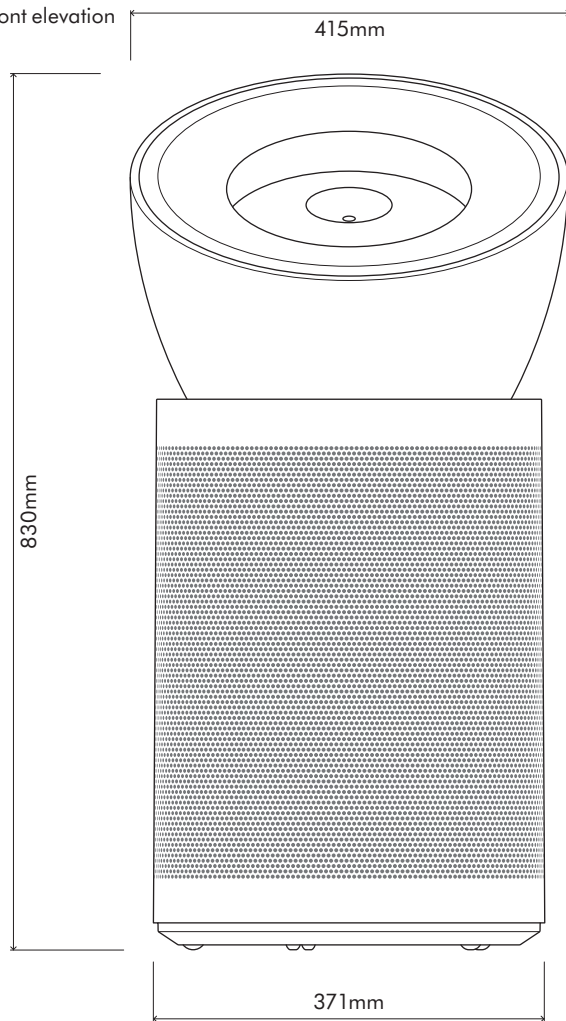


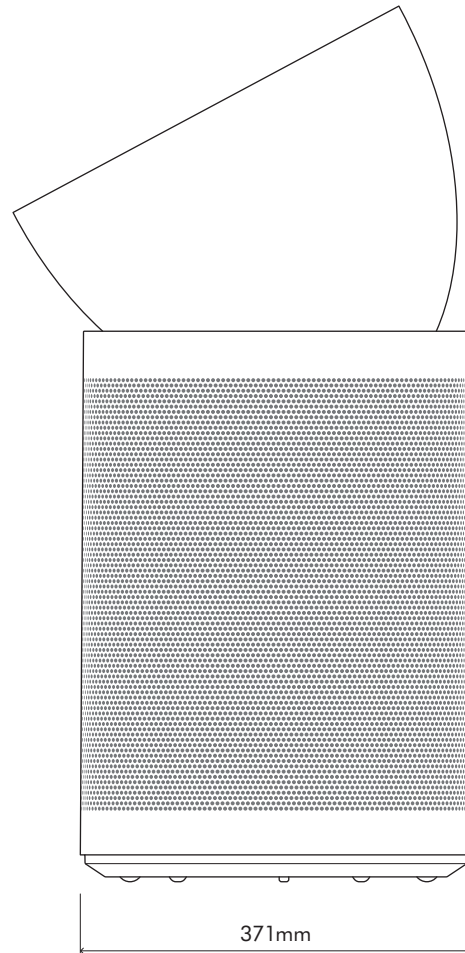
dyson hepa big+quiet formaldehyde

Technical specification

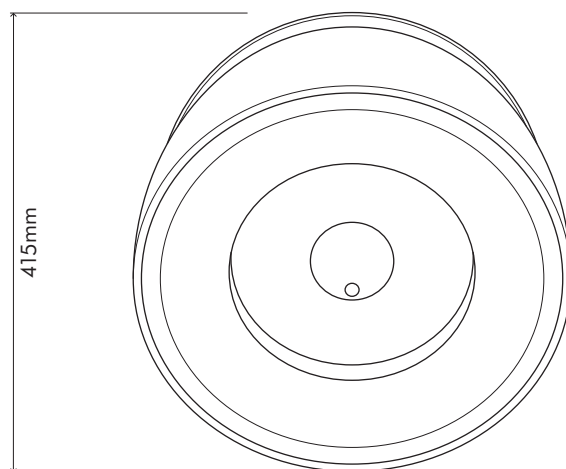
Front elevation



Side elevation



Plan elevation



Machine dimensions

Height: 830mm, Width: 415mm, Depth: 434mm,
Base diameter: 371mm

Dyson technology is available
to buy or rent. Just contact:
0800 345 7788
[dyson.co.uk](https://www.dyson.co.uk)

dyson hepa big+quiet formaldehyde

Electrical

Input voltage: 230V

Standby power consumption: <0.5W

Max input power: 50W

Min input power: 20W

Construction

Polypropylene

Polycarbonate

ABS

Filter

HEPA Filtration: >99.95%

360° HEPA, Carbon and SCO filter

Material: Glass media, carbon filter and SCO filter

Filter life HEPA: 21900 hours

Filter life Carbon: 8760 hours

Filter life SCO: Lifetime

HEPA Filter Information: 450mm (H), 363mm (Ø), 1.5 (kg) net weight

Carbon Filter Information: 810mm (L), 414mm (W), 12mm (Thick), 0.9 (kg) net weight

SCO Filter Information: 164mm (H), 210mm (Ø), 0.15 (kg) net weight

Operation

For indoor use only

Operation environment:

Engineered to operate between 0-104°F (0-40°C), 0-100% humidity

2 airflow settings

Fixed air flow direction of 50 DEG

LCD screen

Airflow at airflow setting 1: 50l/s (Primary airflow)

Airflow at airflow setting 2: 90 l/s (primary airflow)

Room coverage: 70m²

Sound level at airflow setting 1: Max 43dBA

Sound level at airflow setting 2: Max 55.6dBA

Logistics

Net weight: 11.57kg

Box weight: 17.74kg

Packaged dimensions:

(H) 599mm x (W) 435mm x (D) 780mm

Cable length: 1800 mm

Standard guarantee

2-year extended guarantee



Dyson technology is available
to buy or rent. Just contact:
0800 345 7788
dyson.co.uk

White/Silver

¹Tested for filtration efficiency at 0.1 microns (EN1822, ISO29364). ²Filter life is determined by dividing total dust load capacity by annual dust load. Annual dust load was calculated using GB/T 18801 daily mass formula. Results may vary in practice.