

AB
07

Installation guide

dyson

JN.55281 PN.631.63.01-04 10.09.13

Dyson Customer Care Helpline

www.dysonairblade.com

UK 0800 345 7788
ROI 01 401 8300.
AU 1800 426 337
NZ 0800 397 667
SNG 7000 435 7546

dyson



HACCP International Non-food certification Mark is the registered trademark of HACCP Internationale.
The NSF logo is a registered trademark of NSF International Corporation.

IMPORTANT SAFETY INSTRUCTIONS

READ BEFORE PROCEEDING FURTHER.

RETAIN FOR FUTURE USE.

⚠ WARNING

All electrical installation and repair work should be carried out by a qualified electrician or Dyson Service Engineer in accordance with current local codes or regulations.

Filter change can be carried out by a qualified person.

⚠ WARNING

Risk of electric shock! If casing is removed or handled improperly the internal components of the unit may cause harm or become permanently damaged.

TO REDUCE THE RISK OF FIRE, ELECTRIC SHOCK, OR INJURY TO PERSONS, OBSERVE THE FOLLOWING:

BEFORE INSTALLATION

Before beginning any installation work you must confirm the following.

WIRING

- Check that the electrical supply corresponds to that shown on the rating plate. If the unit is connected to any electrical supply other than stated on the rating plate of the unit, permanent damage or improper/unsafe operation of the hand dryer may result.
- A means for all-pole disconnection must be incorporated into fixed wiring, in accordance with local wiring regulations.
- The unit must be earthed.
- When connecting the unit to the electricity supply use cable in accordance with all federal, state and local laws and applicable codes and standards, including fire-rated construction.
- Ensure that the conduit and wires are long enough to connect to the backplate and the terminal block.

SAFETY

- Isolate the power before installation or service.

INSTALLATION

- Make sure that the unit is installed in compliance with all building codes and/or regulations.
- The unit must be mounted on a flat vertical wall capable of supporting the full weight of the unit.
- Use fixings as specified in this installation guide.
- Ensure no pipe work (gas, water, air) or electrical cables, wires or ductwork are located directly behind the drilling/mounting area.
- If you are installing this hand dryer in a food handling or food manufacturing environment, please contact the Dyson Helpline for the specialist installation guide that supports this.
- Dyson recommends the use of protective clothing, eyewear and materials when installing/repairing as necessary.
- To avoid damage to the fascia surface during installation, store the fascia in the original packaging until it is needed.
- To avoid contact with water from the user's hands, do not install the unit above any electrical equipment.

LOCATION

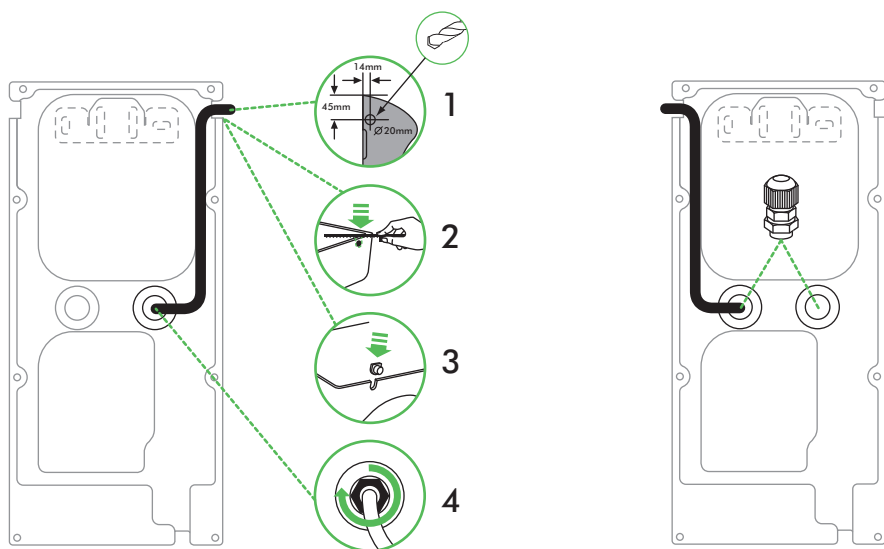
- The unit is designed for dry, internal location only.
- Consult local and national accessibility codes and regulations for relevant installation guidelines. Conformity and compliance is the responsibility of the installer.
- Ensure the required electrical supply is available for later connection.

IMPORTANT

- Please refer to the Dyson Owners Manual for details of the guarantee.

3.2

Cable entry – side.



OPTION C: Cable entry from the side.

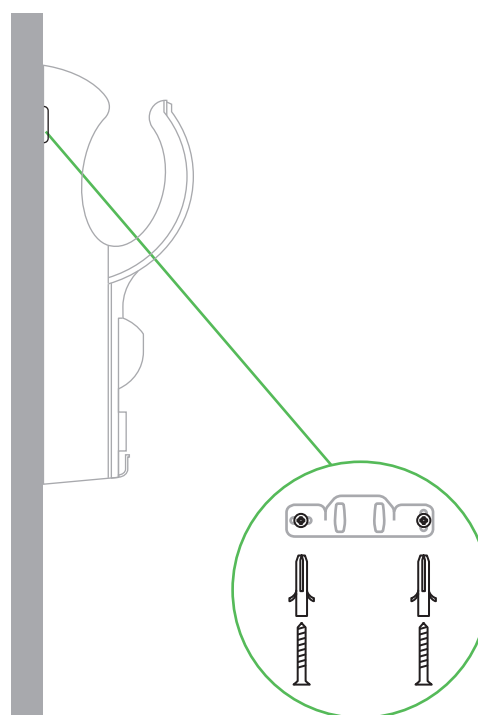
IMPORTANT: Cable entry can be either from the left or the right. Decide which before you start. The unit is designed to have **ONLY ONE** side cable entry point.

- Ensure you work only on the side you have chosen for the cable entry point.
- Drill a 20mm diameter cable entry hole through the thin-wall section as illustrated.
- Ensure the edges of the cable entry hole are filed smooth.
- Insert the side entry grommet into the cable entry hole.

If entry is from the left-hand point in the backplate, ensure the cable is secured in front of the duct with the electrical wiring clip.

4

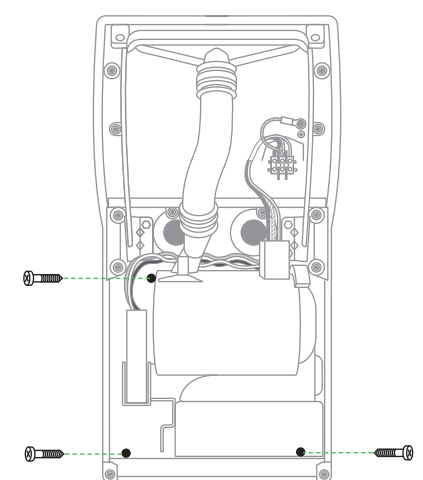
Mount bracket to wall.



Secure the bracket to the wall using the appropriate fixings for the wall type and the weight of the main unit. Ensure the bracket is level.

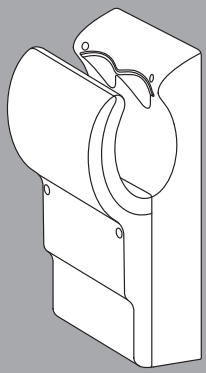
5

Secure backplate to wall.



1. Hook the backplate onto the wall bracket. Use the backplate to mark the locations for the 3 fixing points. Remove the backplate from the bracket and drill the 3 holes.
- NOTE:** For easier access to the lower fixing screw, temporarily remove the filter.
- CAUTION:** Do not use the backplate as a guide when drilling.
2. Hook the backplate onto the wall bracket.
 3. Install the electrical cable.
 4. Ensure the cable sits in the pre-formed channel in the exterior of the backplate.
 5. Secure the backplate to the wall using the appropriate fixings.
 6. Replace the filter securely if it was removed.

In this box.



Main unit x 1



Wall bracket x 1



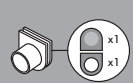
Service tool x 1



Cable gland x 1



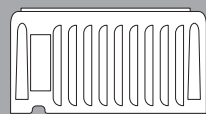
Fascia caps x 2



Side entry grommet x 1



Side entry blank grommet x 1

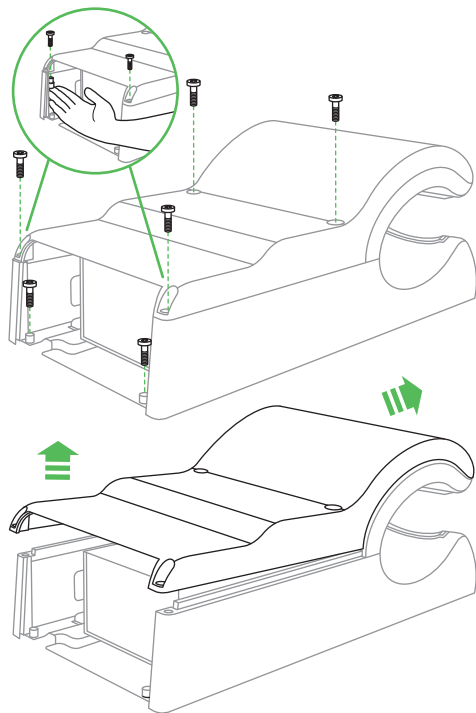


Filter door x 1

Fixings

To install this unit you will need (5) screws, toggle or masonry bolts and appropriate fittings for the wall type and weight of the unit (recommended minimum size of 7mm).

1 Unpacking.

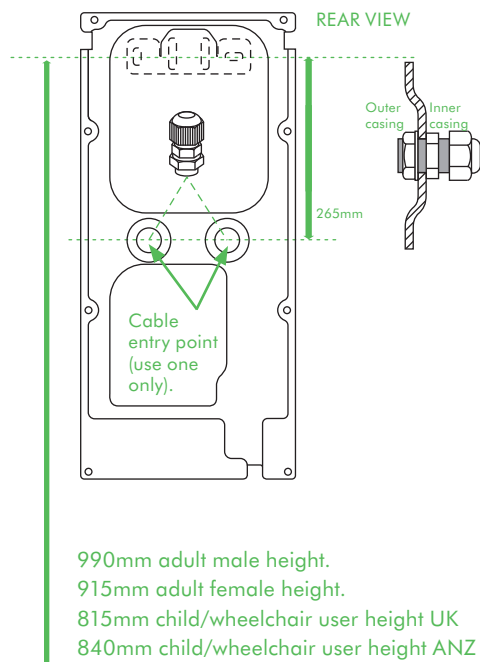


WARNING

Use caution when removing the fascia. The fascia may have sharp edges/corners which may cut or cause harm.

1. Remove the (6) tamper-proof screws from the unit with the service tool provided. Store the screws and mounting nuts safely.
2. Remove the fascia as shown.

2 Positioning.

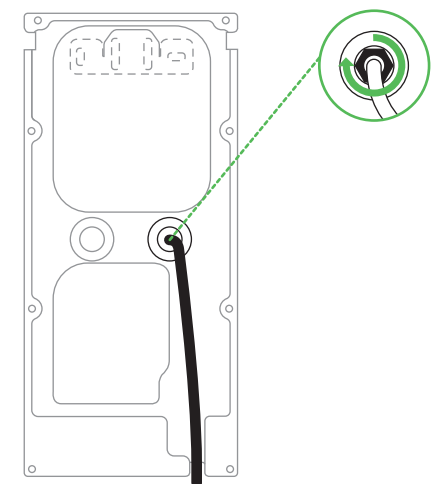


1. Select a location that will allow accessibility to the unit and proper clearance from surroundings and floor. Allow at least 200mm clearance under the unit.
2. Recommended heights are shown, but may need to be adjusted for each individual installation.

Cable

Connect the electrical supply using approved flexible or solid conduit and electrical fittings. Ensure that the flexible or solid conduit and wires are of sufficient length to make the necessary connection to the backplate and the terminal block.

3.1 Cable entry – rear/base.



The options for cable entry are from the rear, base, or either side.

OPTION A: Cable entry into the rear of the unit.

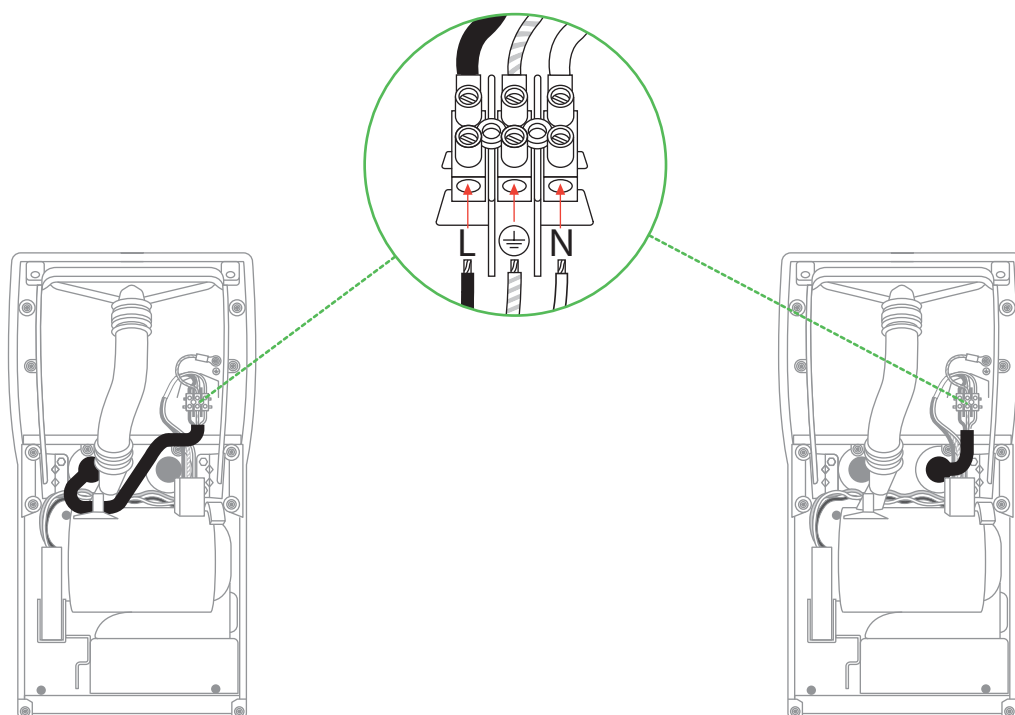
- The rear cable entry point is via one of the knock-out holes on the backplate.
- Pry the appropriate knock-out from the backplate. Knock out only one hole.
- The cable route is directly from the wall into the unit.
- Insert the cable gland into the cable entry point – the nut is on the outside of the unit and the capsule end on the inside.

If entry is from the left-hand point in the backplate, ensure the cable is secured in front of the duct with the electrical wiring clip.

OPTION B: Cable entry from the base of the unit.

The exterior route to the cable entry point is from the base: via the exterior cable channels in the rear of the backplate and into the cable entry point. Ensure the cable is not trapped between the backplate and the wall.

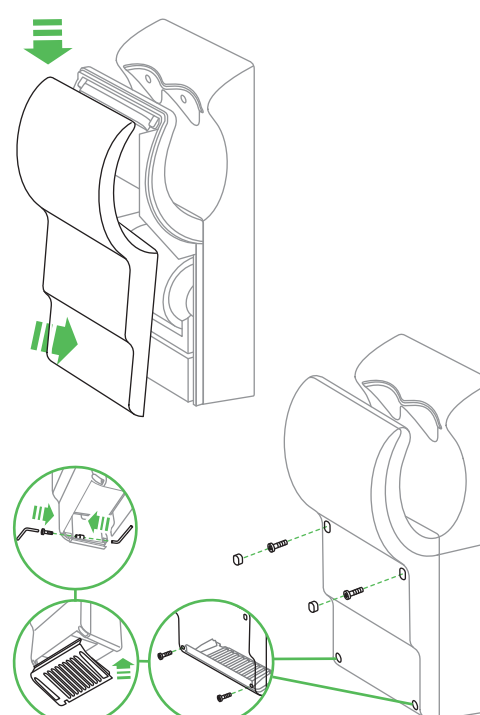
6 Connect to terminal.



WARNING: Risk of electric shock!

1. Secure the live, neutral and earth wires into the correct terminal block locations as indicated on the terminal block casing.
2. Verify the connections are correct before proceeding.
3. If entry is from the left-hand point in the backplate, ensure the cable is secured in front of the duct with the cable clip.
4. Secure the cable connection to the exterior.

7 Attach fascia.



1. Carefully replace the fascia as illustrated.
2. Do not trap the cable when attaching the fascia.
3. Make sure that the clips on the top of the fascia are seated correctly.
4. Make sure that the fascia is mounted flush before tightening screws.
5. Insert and tighten the (2) anti-tamper screws into the middle of the fascia as illustrated.
6. In the lower rear corner of the fascia place a mounting nut into the mounting hole. Hold it in place with your hand or a 5/16" Allen key. Then insert an anti-tamper screw into the front of the fascia. Tighten with the service tool. Repeat the process for the opposite lower side.

7. Insert the filter cover panel, and then (2) anti-tamper screws. Tighten with the service tool.

8. Test the unit for correct operation before affixing the (2) fascia caps.

NOTE: Do not use sealant when fixing the unit to the wall.

