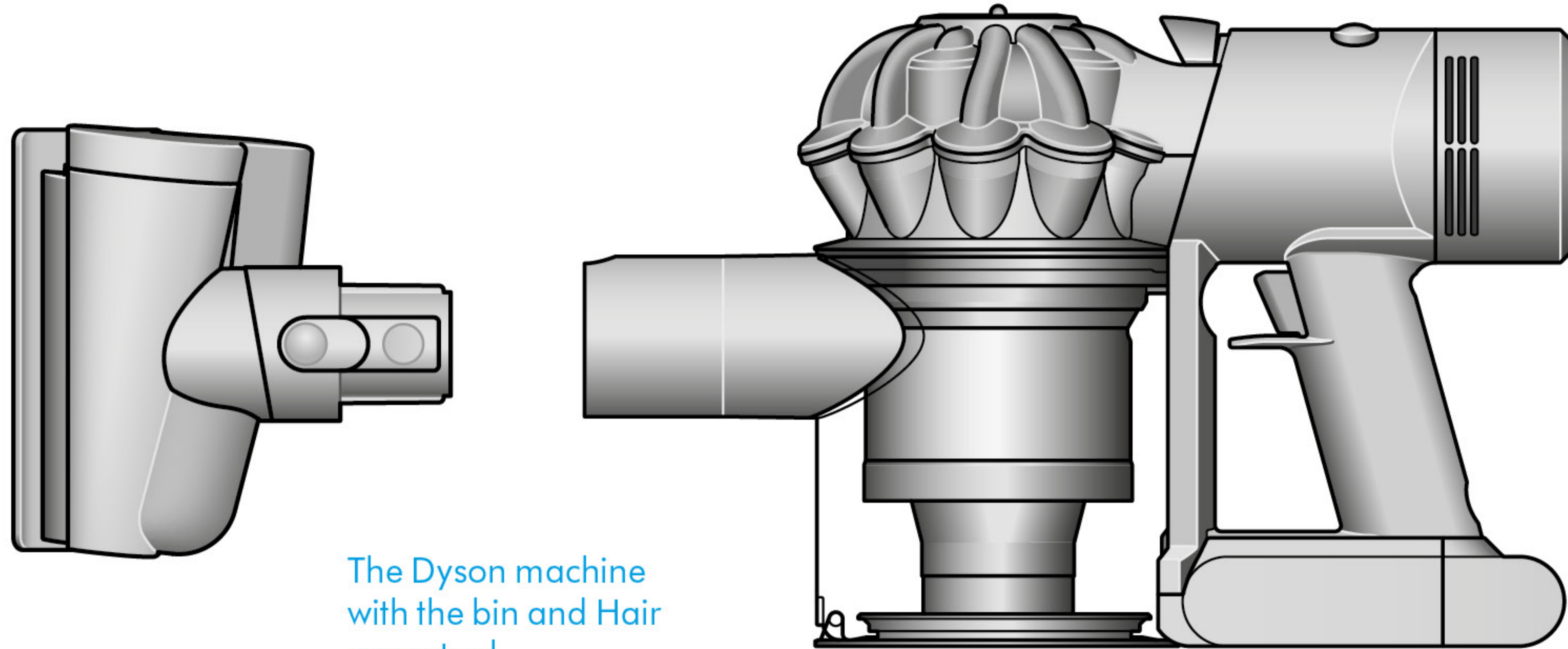


dyson v8 focus mattress

Dyson V8 Focus Mattress™
handheld vacuum

User manual

SV12 JN.00000 PN.000000-00-00
00.00.00 VERSION NO.01



The Dyson machine
with the bin and Hair
screw tool.

Contents

In the box

Getting started

Caring for your surfaces

Charging your machine

Emptying your bin

Cleaning your bin

Clearing blockages

Washing filter A

Washing filter B

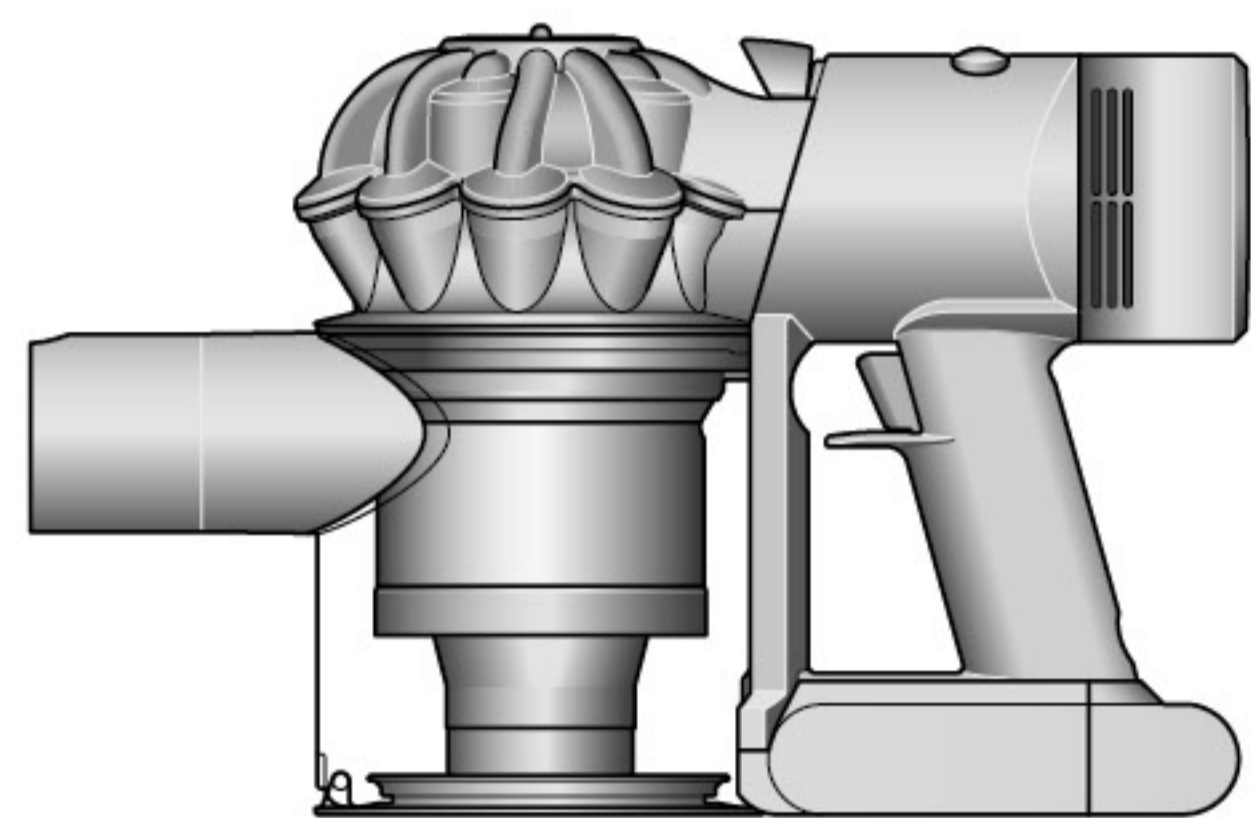
Clearing blockages from your

Hair screw tool

Cleaning your tools

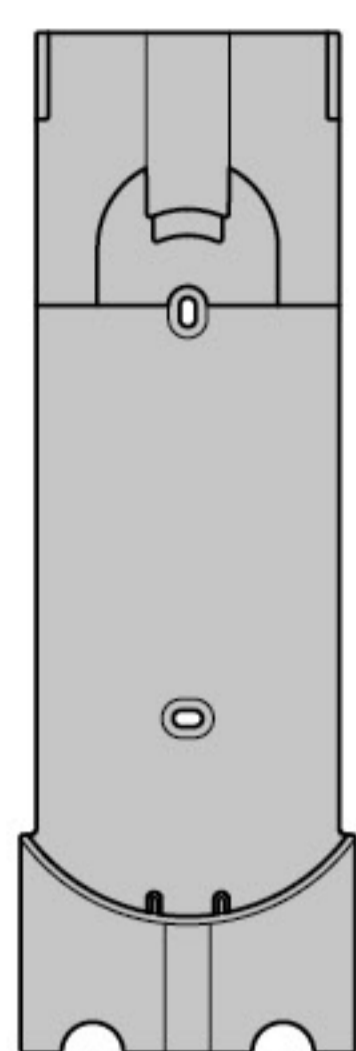
Looking after your machine

In the box



Vacuum cleaner

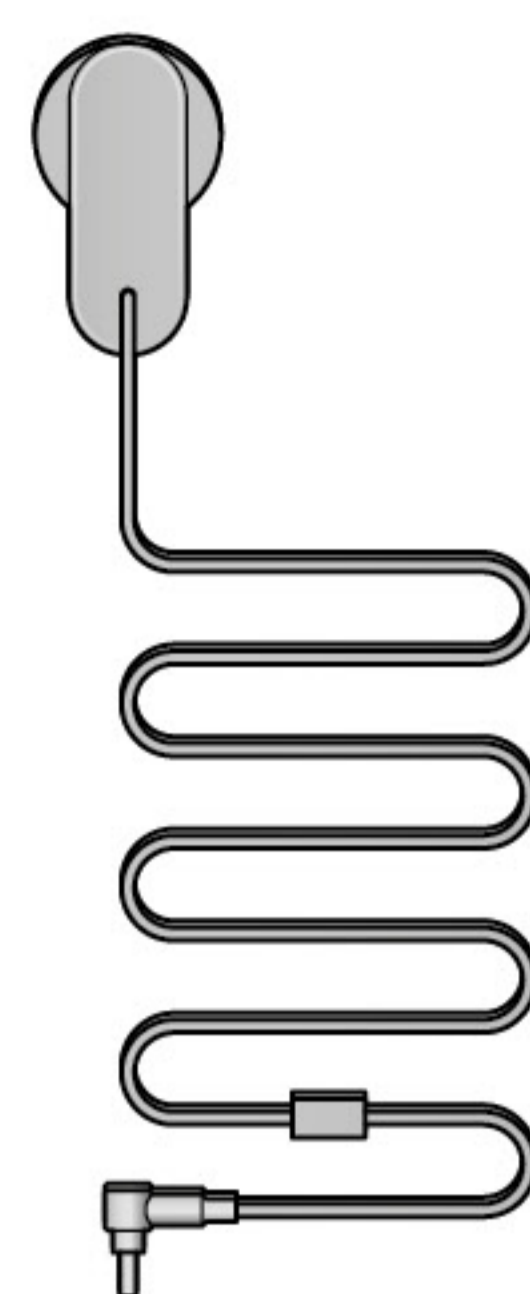
Main body showing the handle and bin attached.



A rectangular dock that needs to be fixed to a wall with screws.

Wall dock

The Dyson cordless vacuum drops into the wall-mounted charging dock, ready for your next clean.



The charger is a one piece unit with the plug, connector end and cable.

Charger

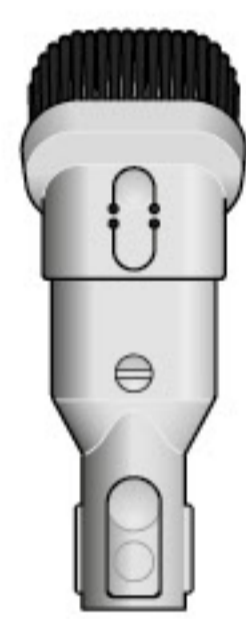
Charges your vacuum with or without a dock.

Wall dock only available on selected models.

Some tools may not be included.

You can buy additional tools at www.dyson.hk/en-HK.

This tool has a combination of brush head and crevice tool together in one unit. The brush head slides down the crevice tool when needed.



Combination tool

Two tools in one – wide nozzle and brush, for quick switching between cleaning and dusting tasks around your home or car.

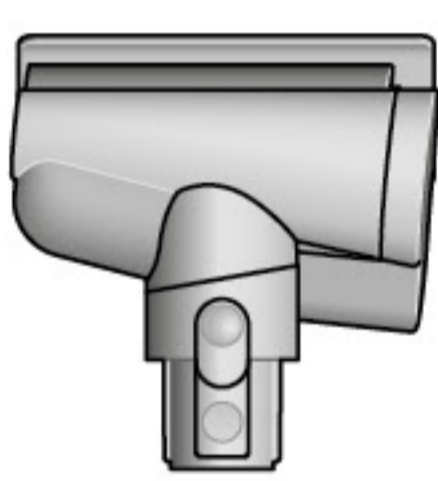


A long tool with an angled end.

Crevice tool

Engineered for precise cleaning around tricky edges and into hard-to-reach narrow spaces.

A small cleaner head with an angled body housing the motor and an electrical connector to attach directly to the machine.



Hair screw tool

Anti-tangle conical brush bar spirals hair off and into the bin. Motor-driven cleaning for smaller spaces.

The Scratch-free dusting brush has a head made of soft bristles for cleaning delicate surfaces.



Scratch-free dusting brush

Gentle on delicate surfaces. Self-cleaning – a rotating cuff keeps the soft bristles clear of dust.



The Awkward gap tool is long and slim, with a 22 degree twist, for cleaning tight gaps and hard-to-reach places.

Awkward gap tool

Long and narrow, with a 22° twist to clean car storage compartments, tight gaps and hard-to-reach places.



Pliable bristles and felt bumper strip on a narrow, tapered tool.

Soft dusting brush

Enclosed in a skirt of soft nylon bristles for gentle, vacuum-assisted dusting of delicate objects and surfaces.

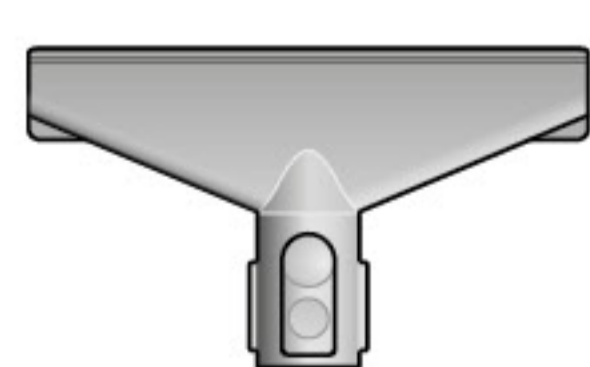


A short nozzle with stiff bristles on the underside.

Stubborn dirt brush

Stiff nylon bristles dislodge ground-in dirt from coarse carpets, high traffic areas and car interiors.

A wide, triangular shaped nozzle.



Fabric and mattress tool

Removes dust, dirt and allergens from mattresses and upholstery.



A long tool with an angled end.

Light pipe crevice tool

Crevice tool with LED lights lets you reach into dark, narrow spaces and see where you're cleaning.



A jointed connector that creates a flexible joint between the machine and the tool. It must be used in conjunction with a tool or cleaner head.

Up-top adaptor

Bends and locks at different angles. Fits any compatible tool for effective cleaning in hard-to-reach high areas of your home.

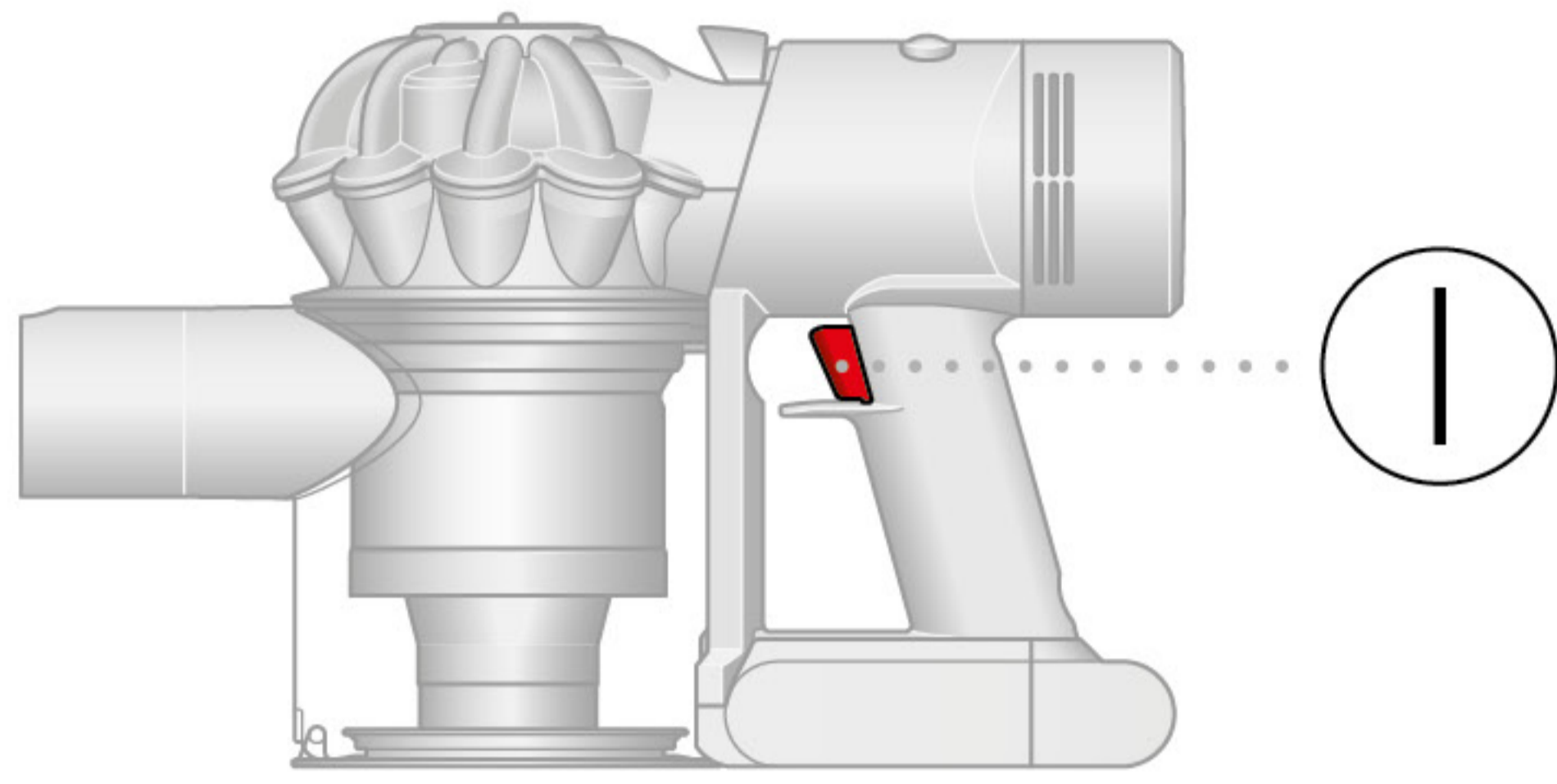


A flexible hose engineered from tough wire and durable plastic.

Extension hose

Adds up to 61cm of flexible reach to any tool attachment, to clean up high or down low in your home or car.

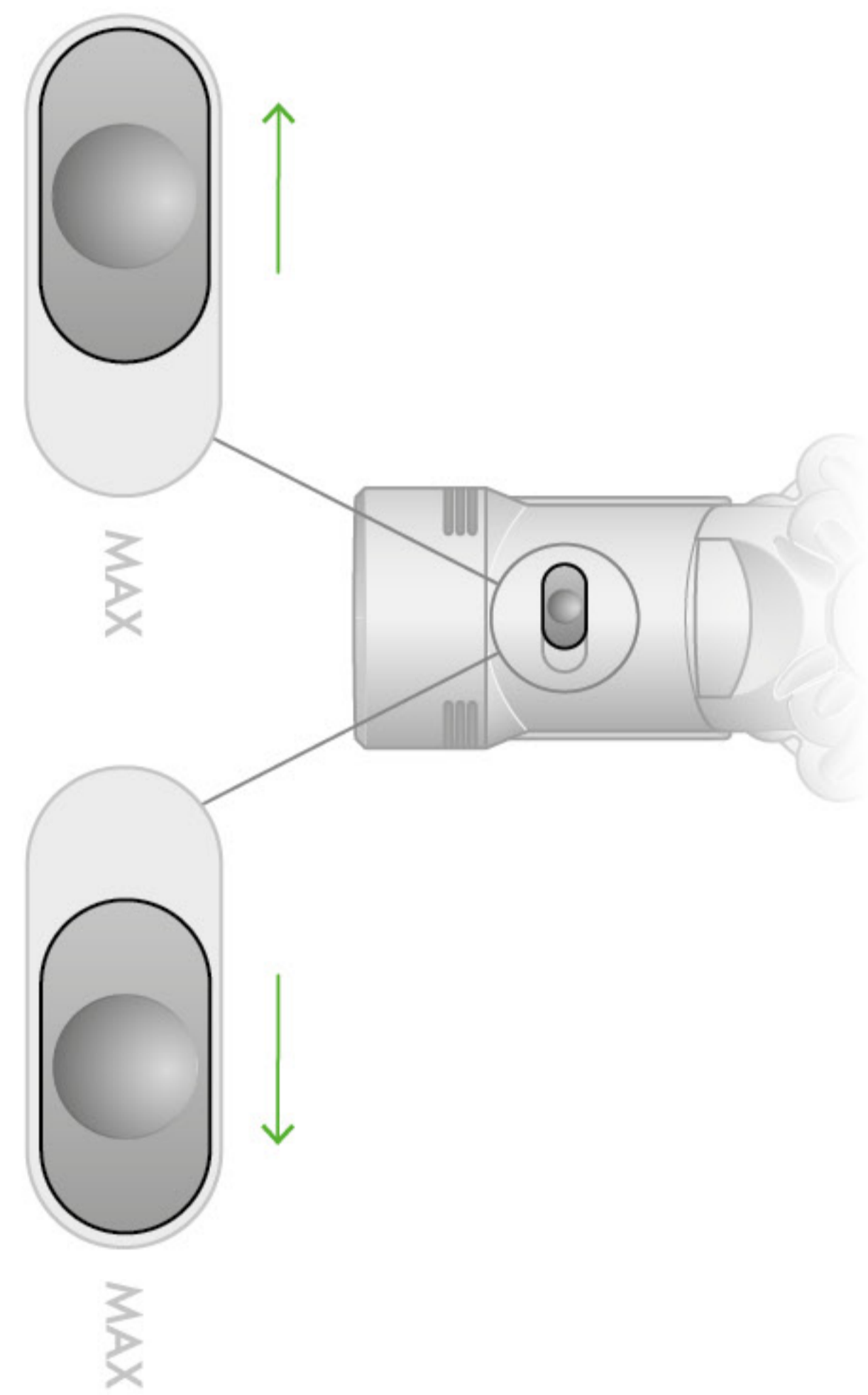
Getting started



Pull trigger to start cleaning

Two power modes

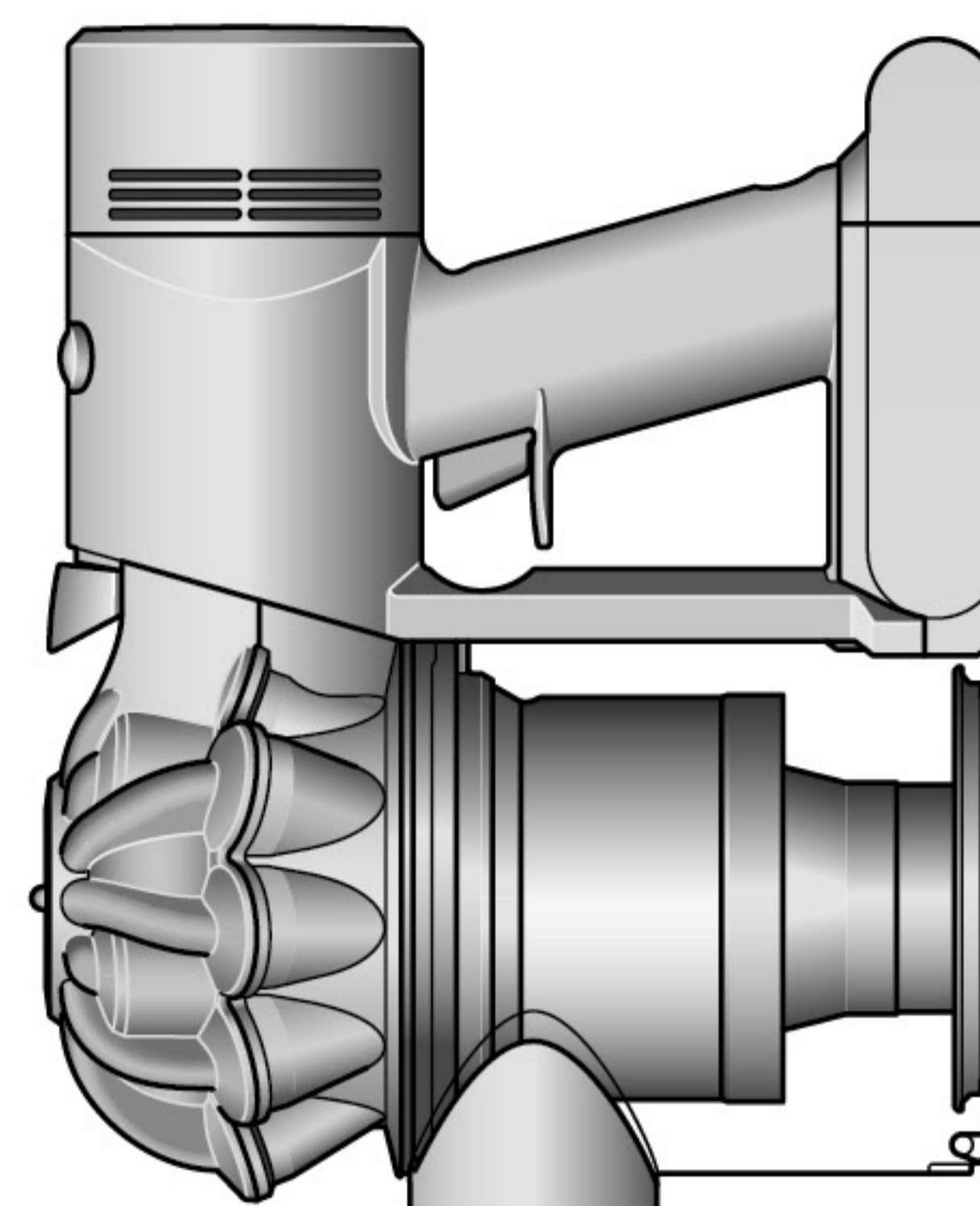
Toggle between Powerful mode – for longer suction – and MAX mode, for stronger suction. Just hold down the trigger and slide the control back and forth.



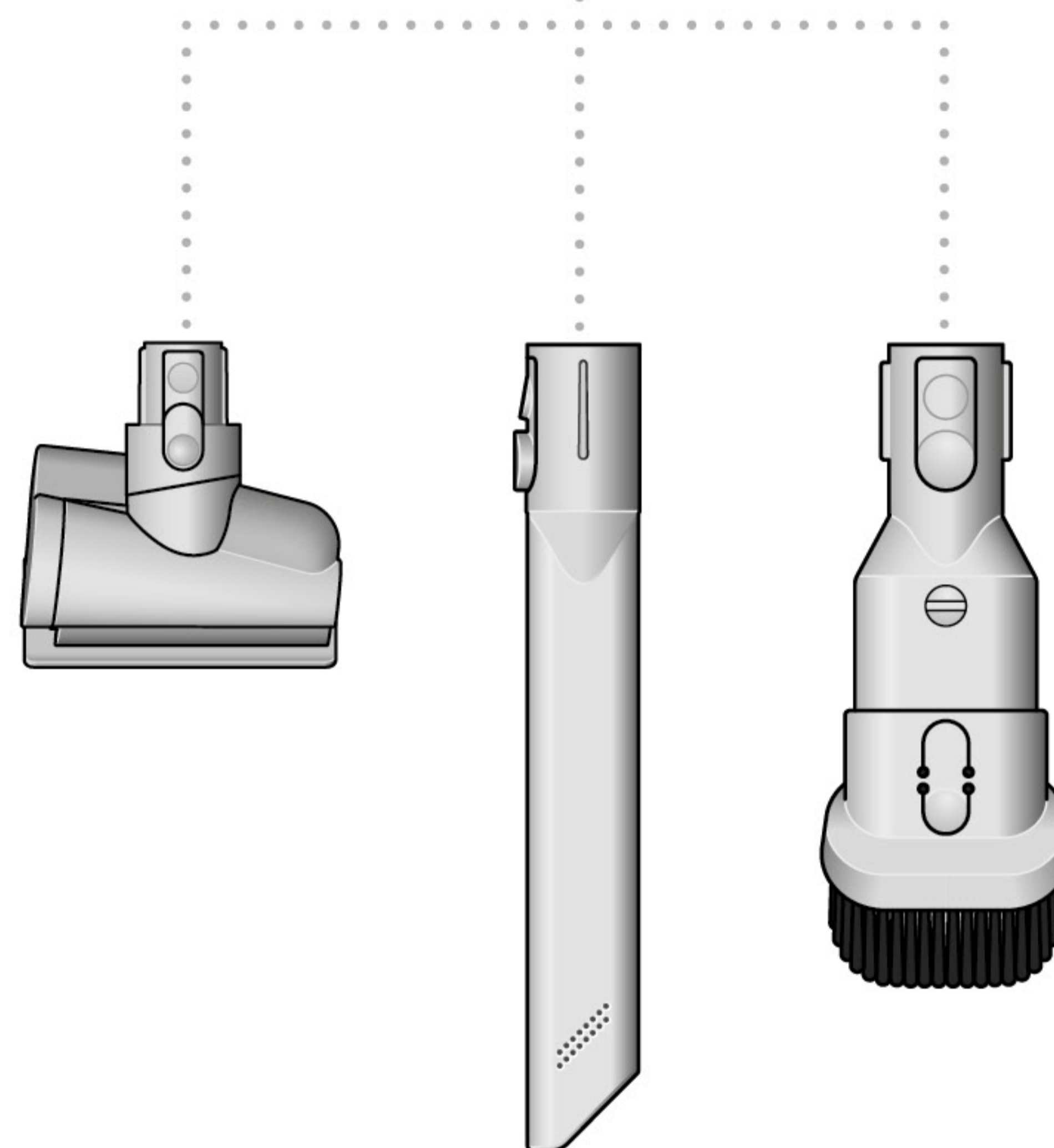
The power mode button is located on the top of the machine between the bin and filter. Slide to the left for powerful cleaning and to the right for max mode.

Switch accessories quickly

The quick-release tools click into place, and release in moments by simply depressing the release switch.



click



Pointers to demonstrate that the tools can be connected directly to the main body.

Caring for your surfaces

Check that the underside of the tool is clean and free from any objects that may cause damage.

Before vacuuming your mattress, sofas and other surfaces, check the manufacturer's recommended cleaning instructions.

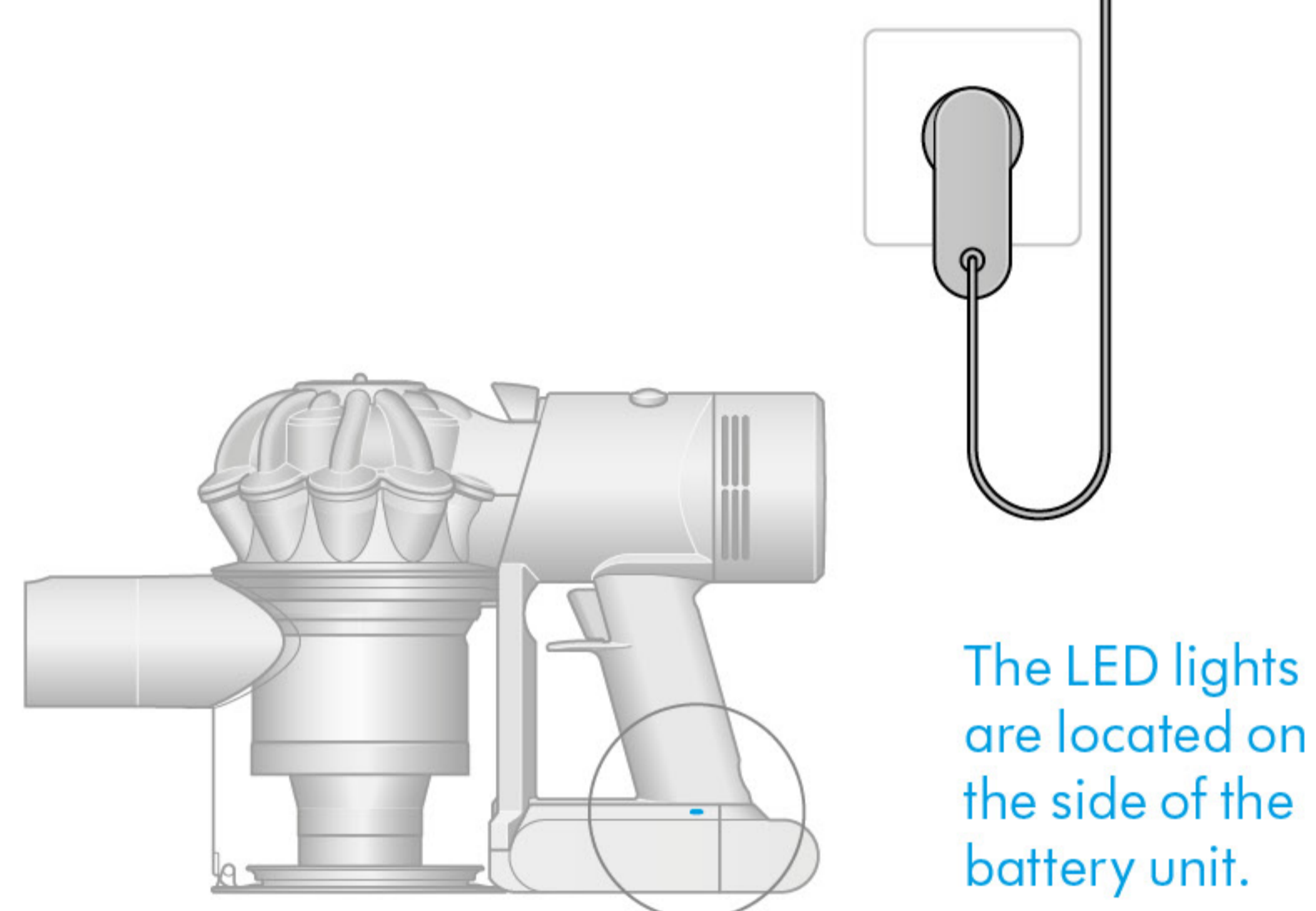
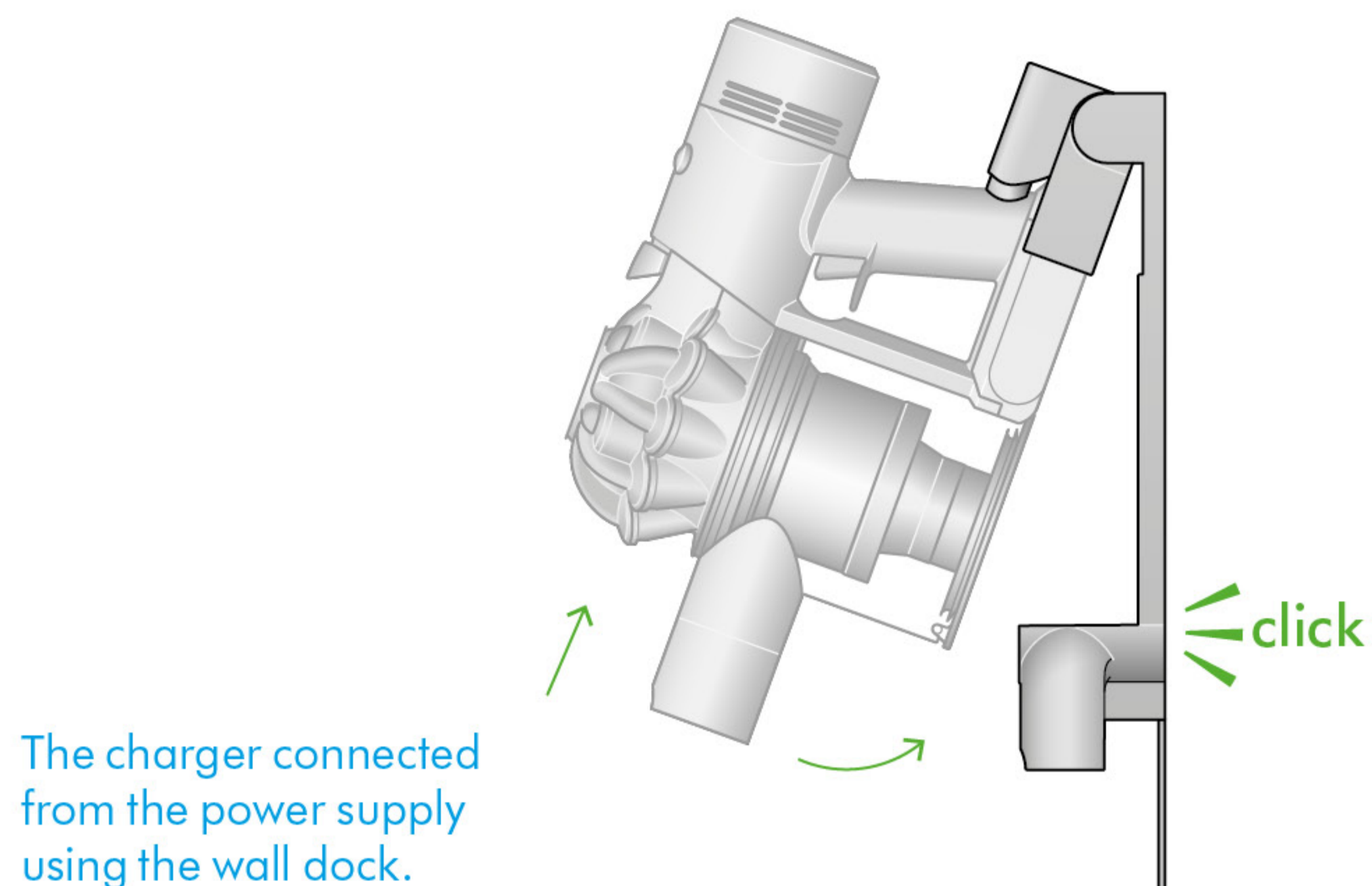
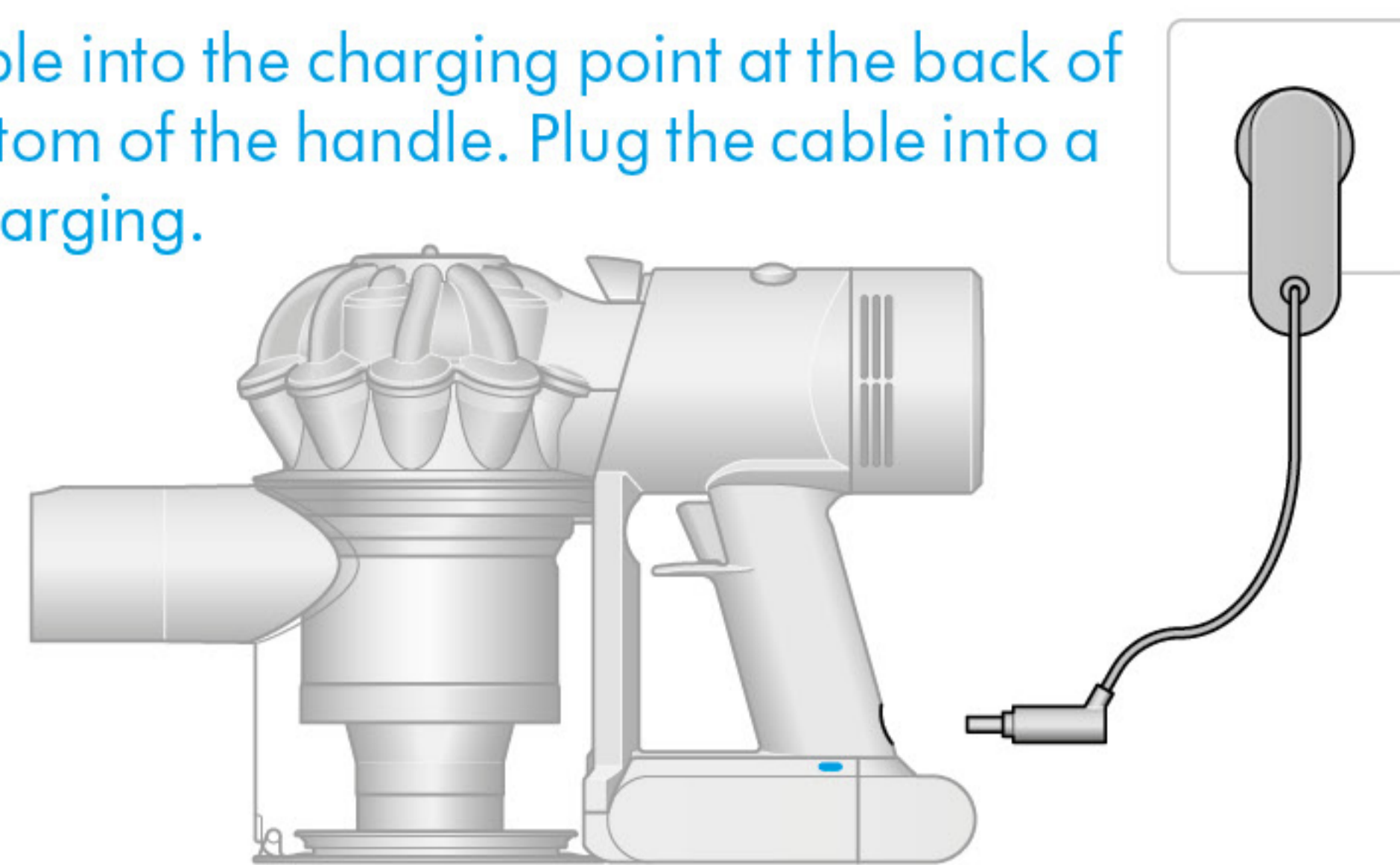
The brush bar on your machine can damage certain flooring and surfaces. Some rug materials may fuzz if a rotating brush bar is used when vacuuming. If this happens, we recommend vacuuming without the motorised tool and consulting with your manufacturer.

Charging your machine

Fully charge your machine before your first use. Connect to charger either directly or in the dock.

A full charge will take approximately 5 hours. While your battery is charging, the LEDs will flash with the current level of charge. These lights will turn off once your machine is fully charged.

Insert the charging cable into the charging point at the back of the vacuum, at the bottom of the handle. Plug the cable into a wall socket to begin charging.



Battery LEDs

During use, high charge.

All LEDs lit with a solid blue light



During use, medium charge.

Two LEDs lit with a solid blue light



During use, low charge.

One LED lit with a solid blue light



Empty.

One blue LED flashing.



Charging LEDs

Charging, low charge.

One flashing blue light on the side of the battery.



Charging, medium charge.

Two flashing blue lights on the side of the battery.



Charging, nearly full.

Three flashing blue lights on the side of the battery.



Fully charged.

No lights illuminated on the side of the battery.



Battery fault.

One flashing red LED.



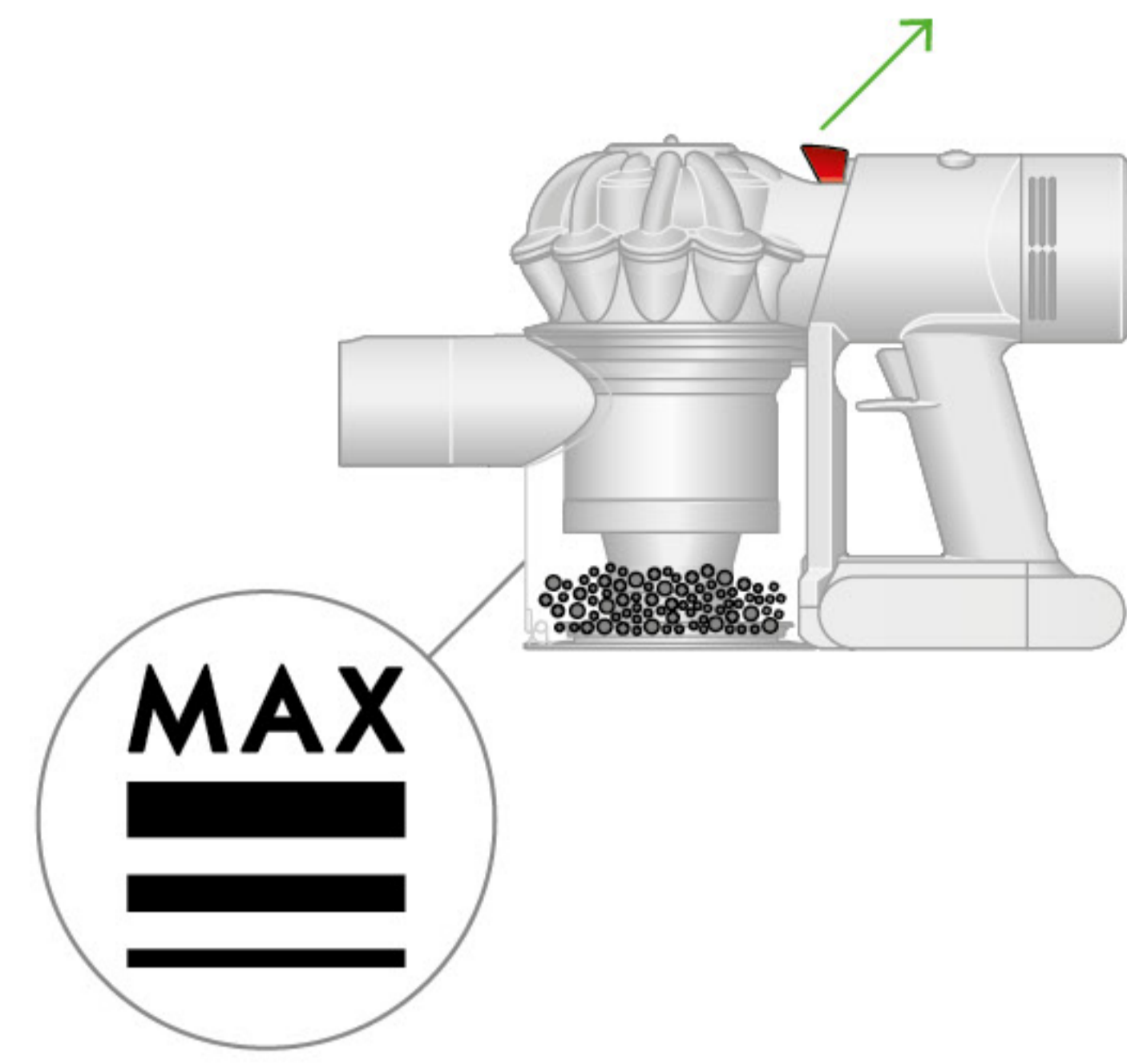
Charger fault.

One light flashing alternately red and blue.



Emptying your bin

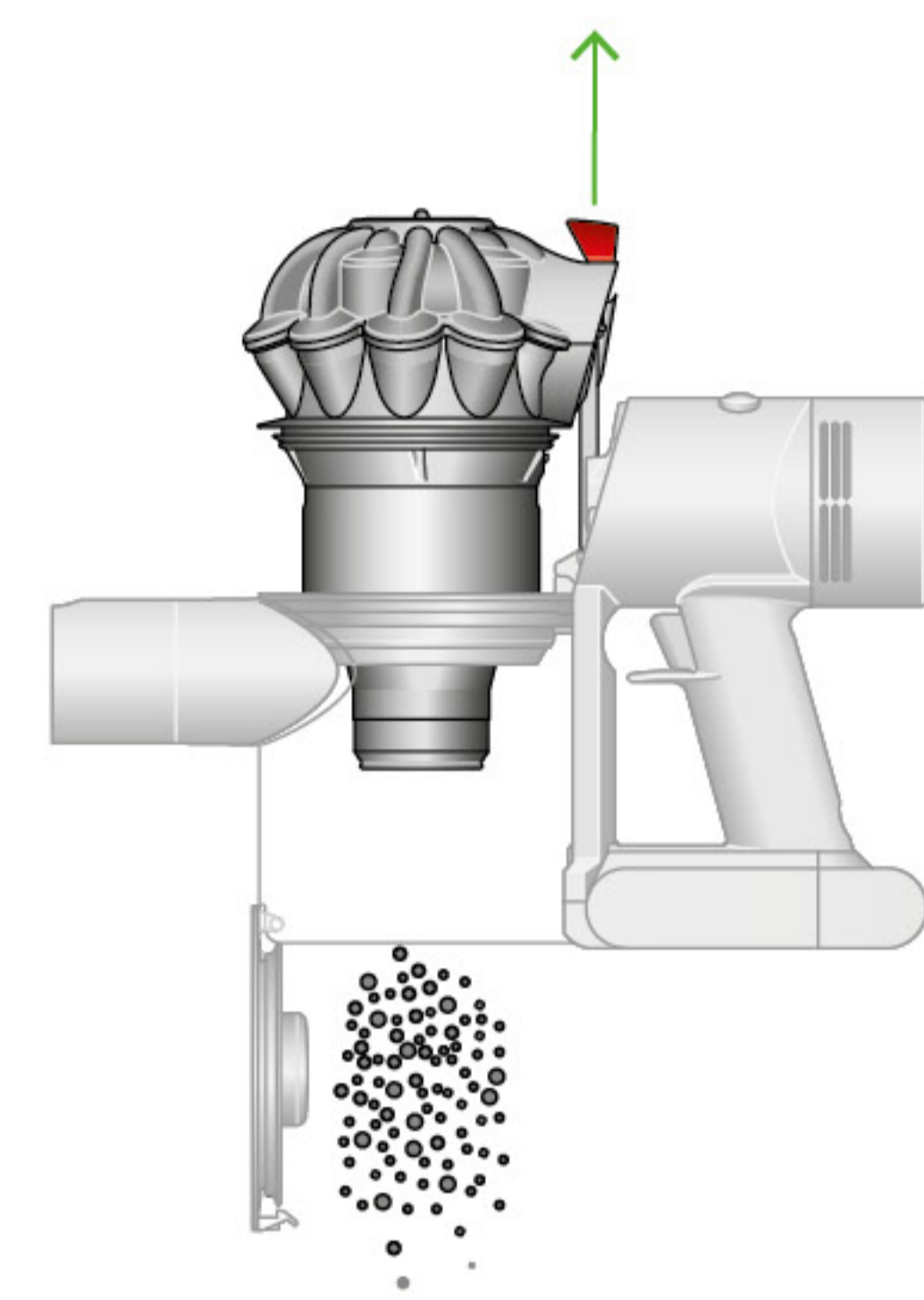
Empty as soon as the dirt reaches the MAX level – don't overfill. Using your machine when the dirt is above the MAX line may affect the performance and require more frequent filter washing.



The MAX mark on the bin of the machine, showing that the dirt should not be filled over the Max mark when the machine is at the angle of normal use.

Release the dirt

Hold your machine over the bin and pull the bin release catch upwards. The cyclone will slide up and the bin base will open.



The bin release catch is located on the top of the cyclone where it joins the main body of your machine.

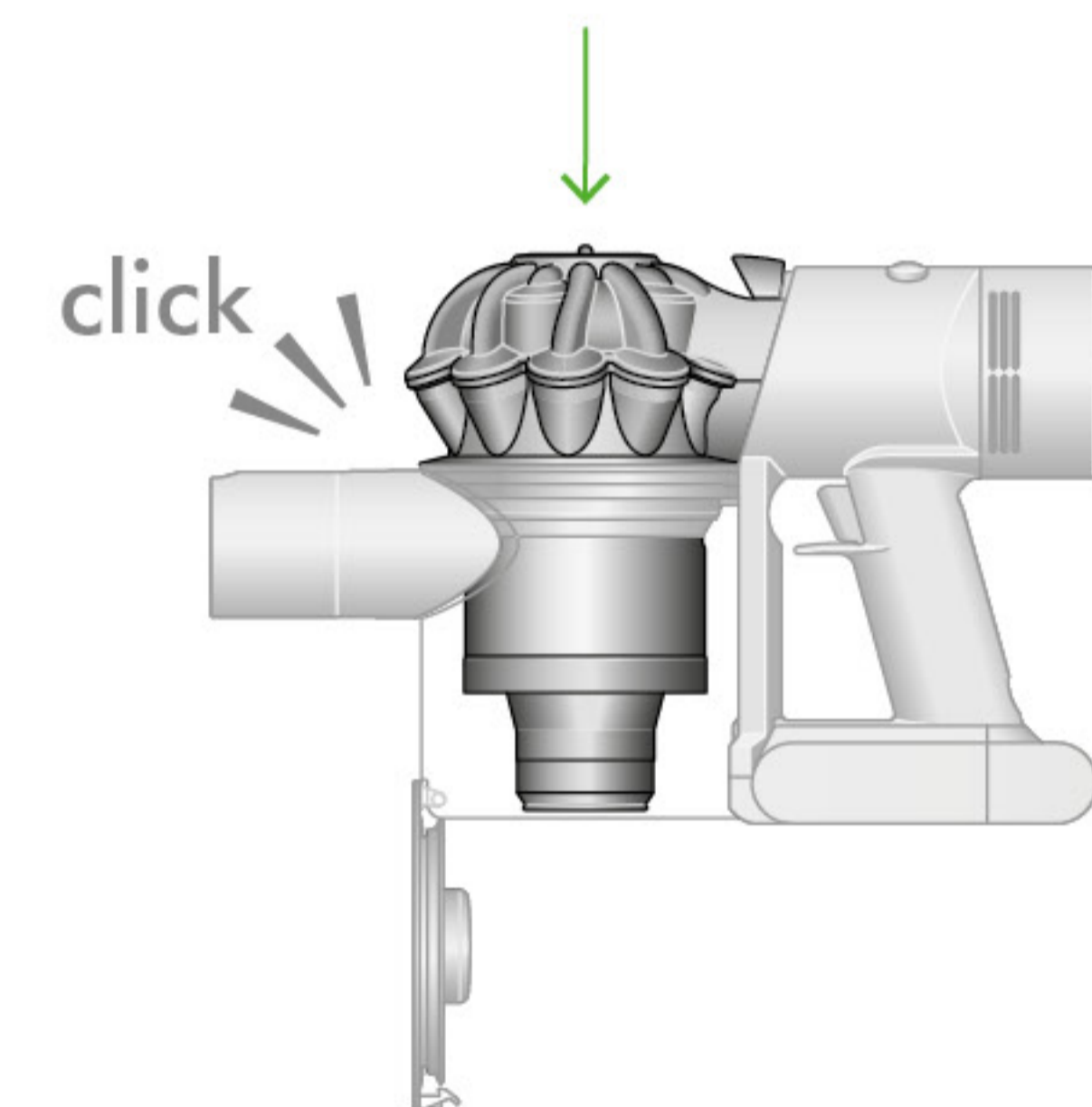
Minimise dust contact

Cover your bin tightly in a dustproof bag while you empty. Remove the bin carefully, seal the bag tightly and dispose.

Close the bin

Push down on the cyclone until it slides into position.

Push the bin base upwards until it closes securely.

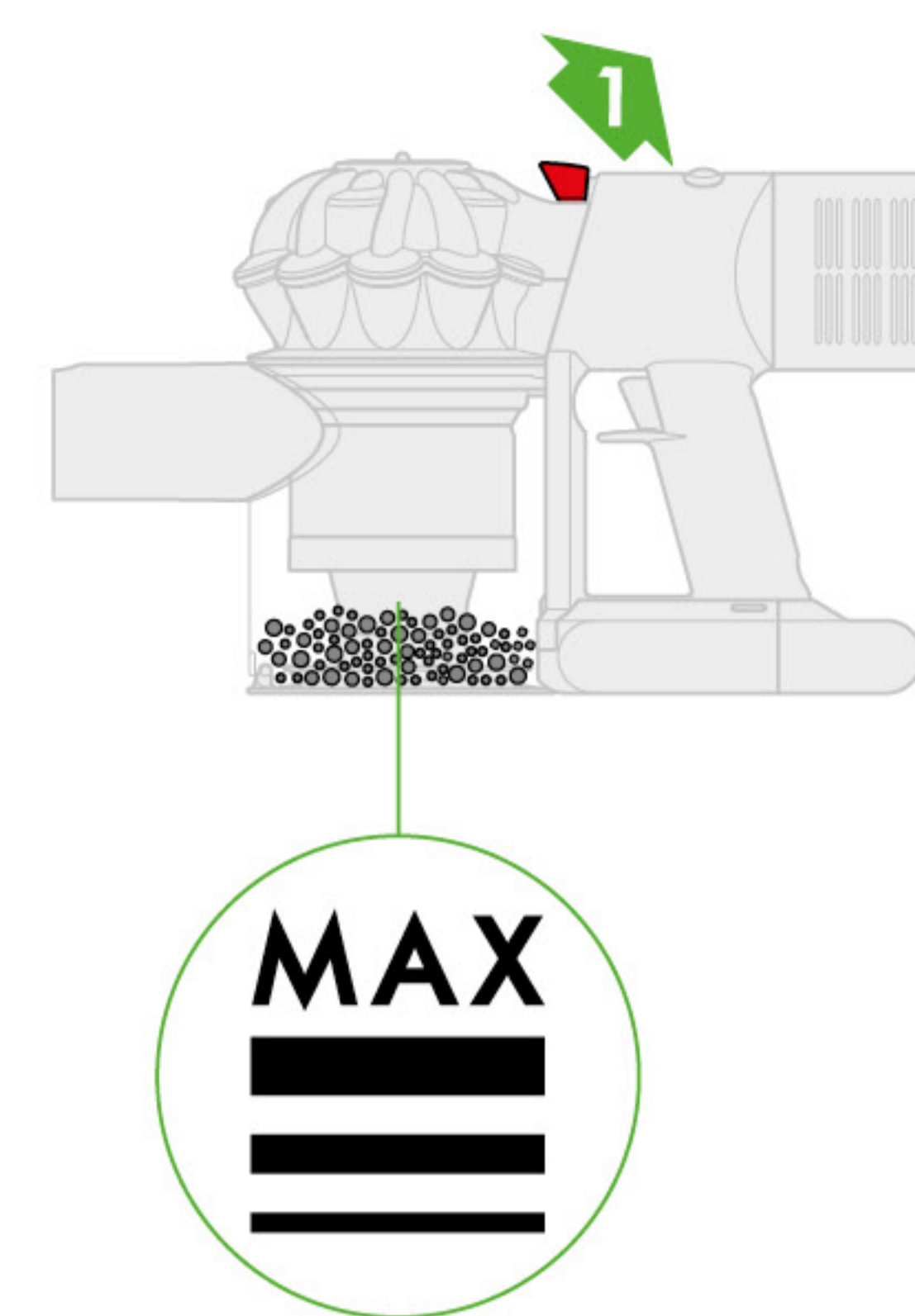


Cleaning your bin

Empty your bin as soon as the dirt reaches the MAX mark.
You may need to clean the filter more often if you use your machine with a full bin.

Empty your bin

Hold your machine over a bin and pull the bin release catch upwards. The cyclone will slide up and the bin base will open.



Remove the cyclone

Pull the bin release catch upwards. The cyclone will slide up and the bin base will open.

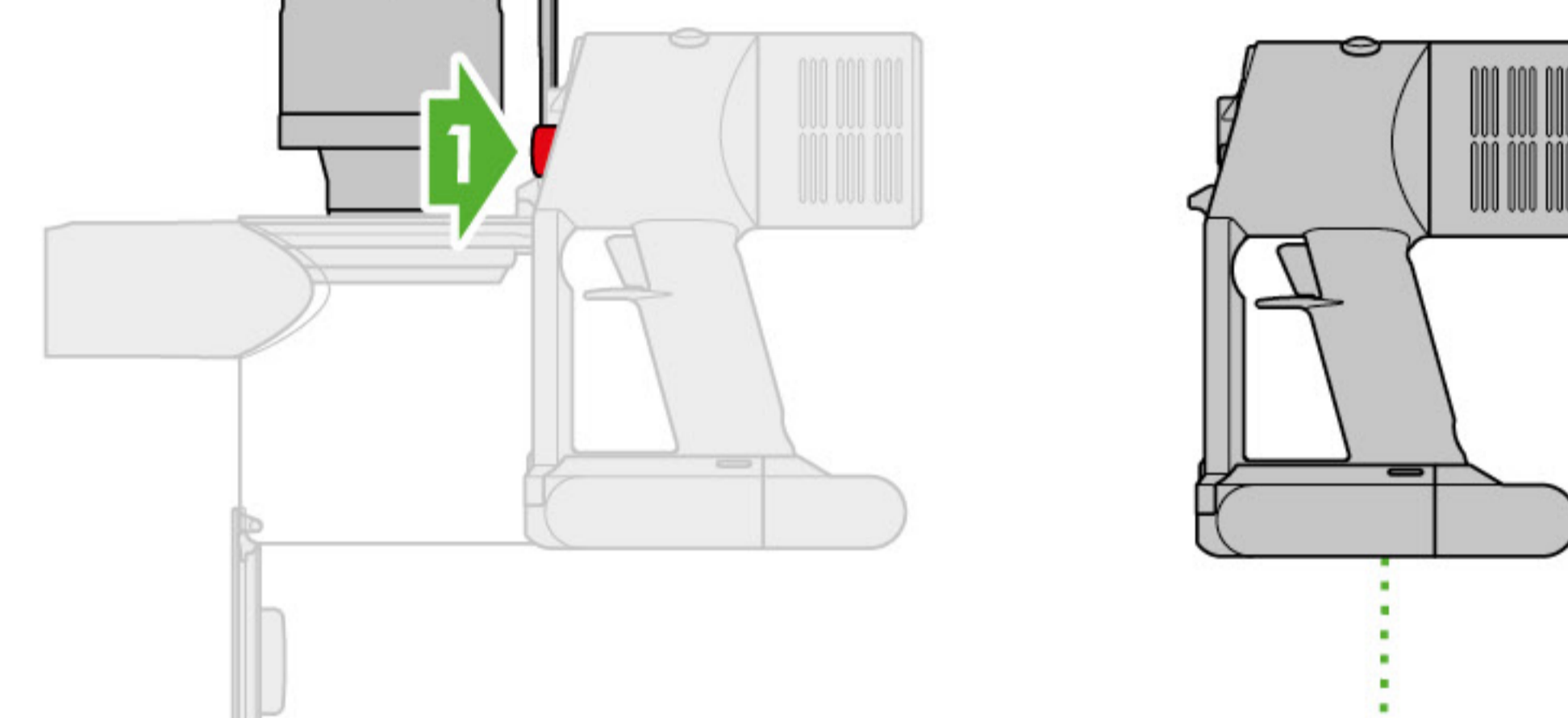
Locate the cyclone release button behind the cyclone and push to remove the cyclone from your machine.



The cyclone release button is located on the main body and is visible once the bin release button has been activated. The button to remove the bin is located on the bottom of the handle.

Remove the bin

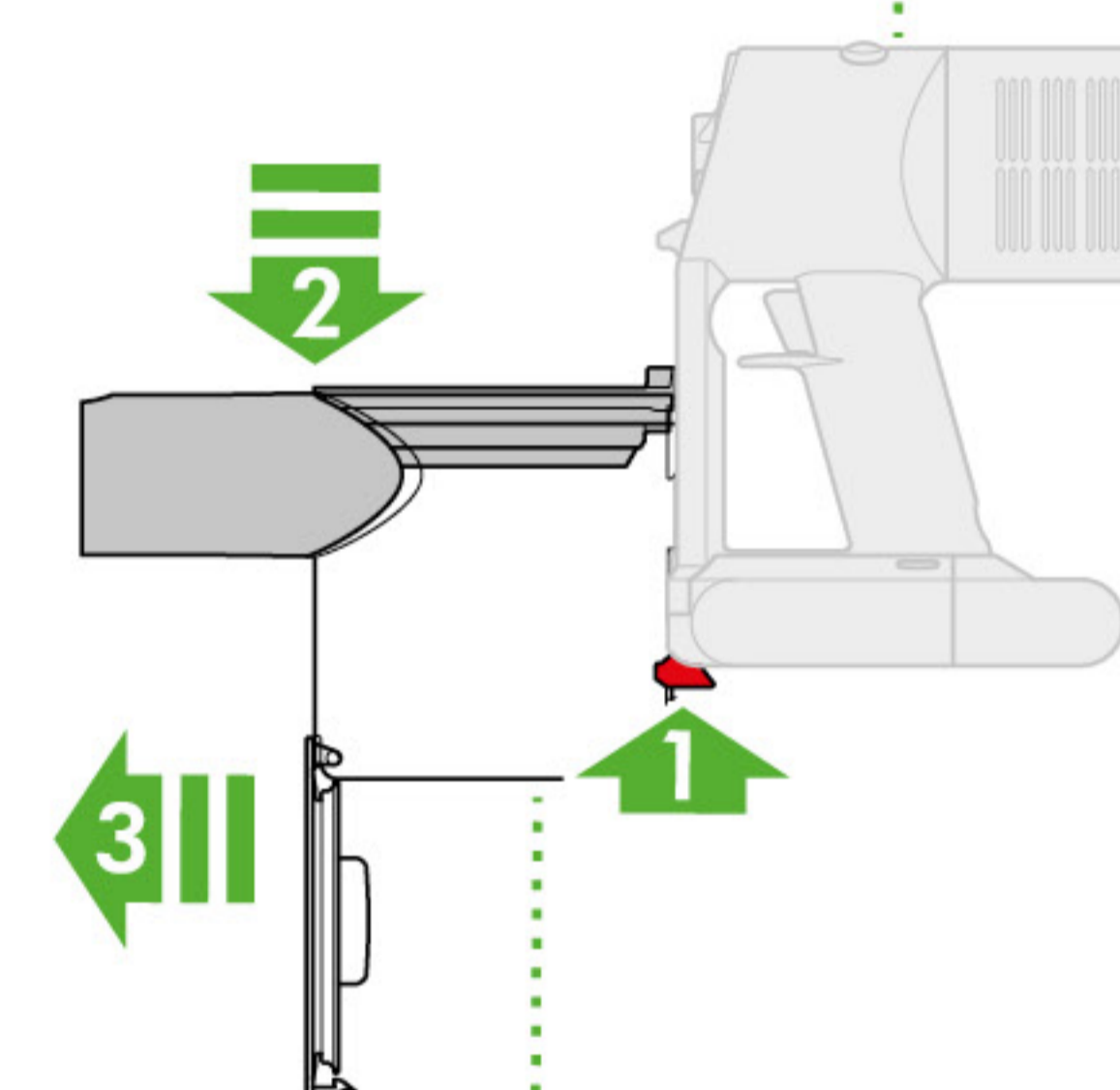
Pull back on the red catch located on the base, slide the bin down and pull it off your machine.



Clean the bin

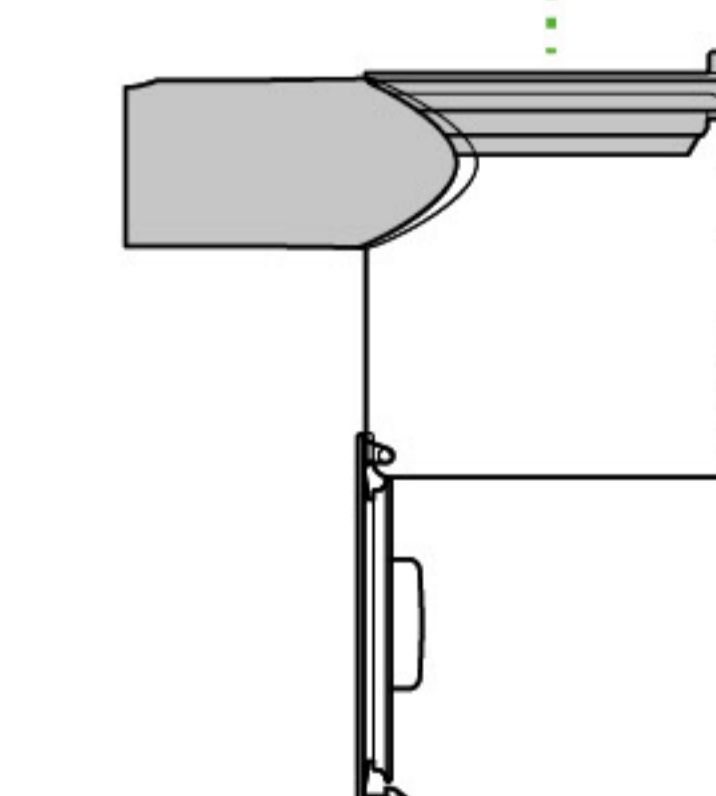
Wipe your bin with a damp, lint-free cloth. Don't put the bin in a dishwasher or use detergents, polishes or air fresheners.

Make sure the bin is completely dry before replacing.



Replace the bin

Align the tabs on the bin with the grooves on the main body and slide it upwards until it clicks into place.



Replace the cyclone

Slide the cyclone into the grooves of the main body and push down until it is in position.

Push the bin base up until it clicks firmly shut.

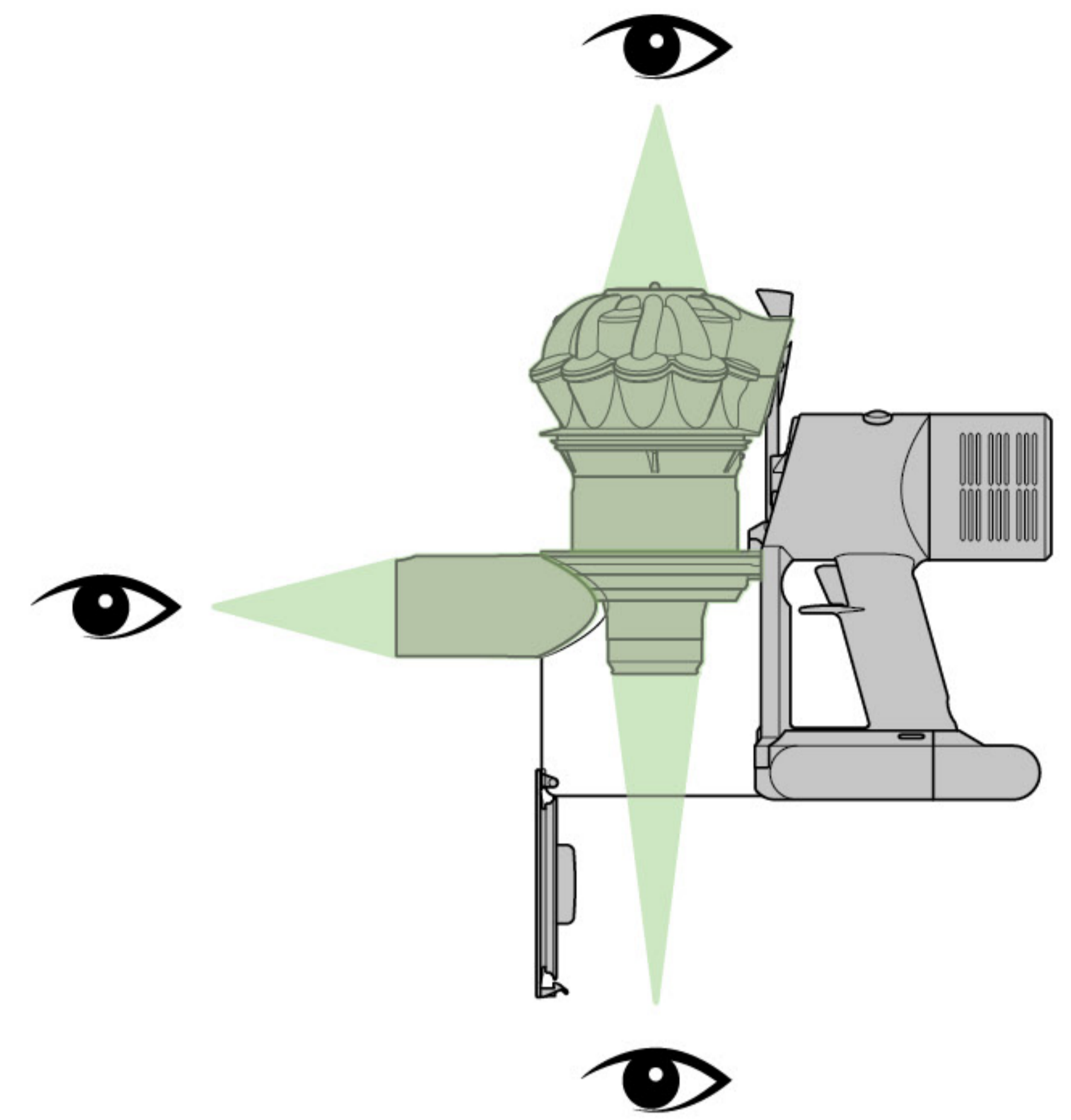
Clearing blockages

Your machine is fitted with an automatic cut-out. If any part of it is blocked, your machine's motor will pulse and won't function until the blockage has been cleared.

Disconnect your machine from the charger before looking for blockages. Be careful not to touch the trigger and be aware of sharp objects.

Leave your machine to cool down before looking for blockages.

Don't use your machine when looking for blockages as this could cause injury.

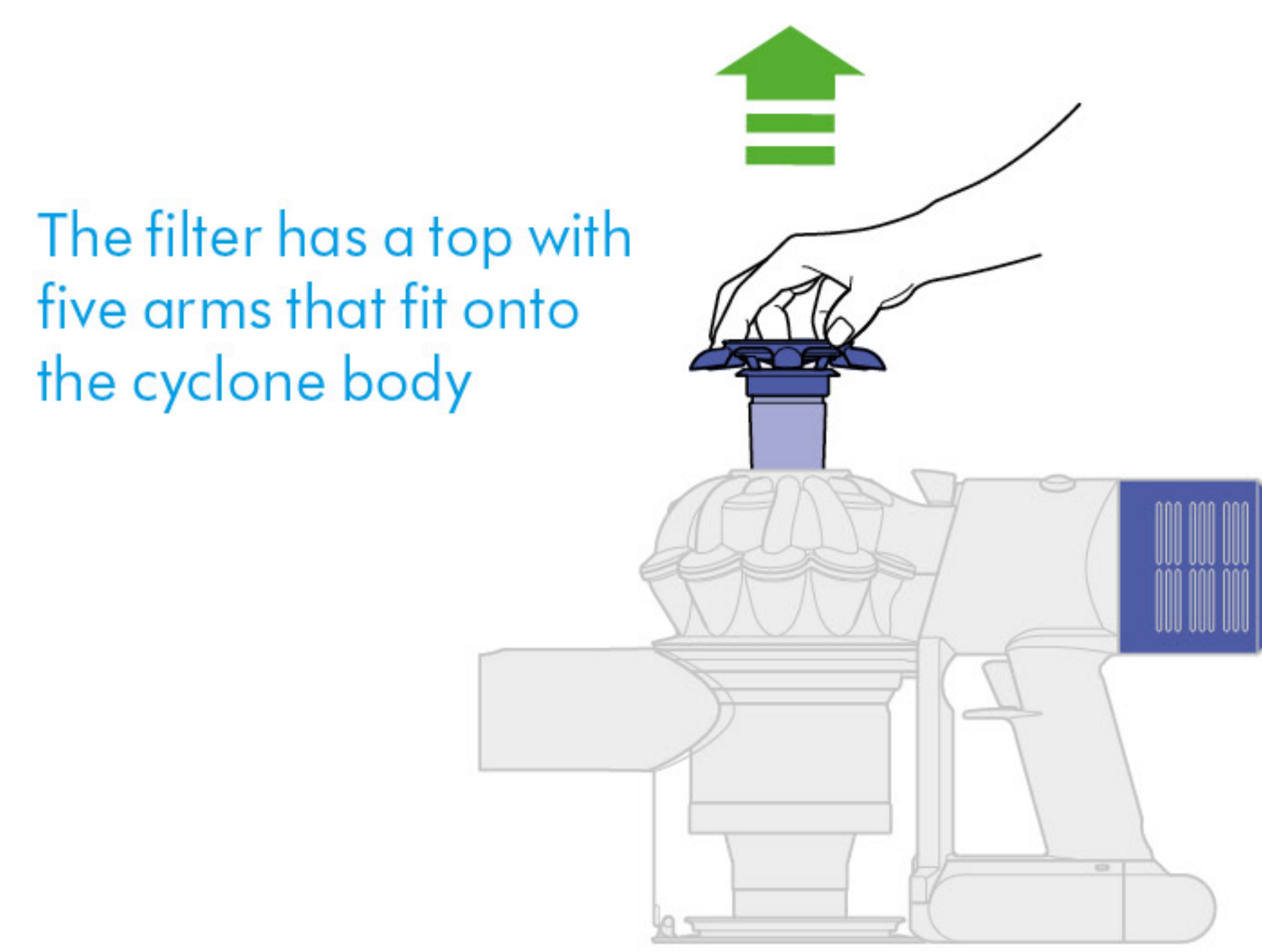


Washing filter A

Remove your filter

Lift the filter out of the top of the cyclone.

Tap to remove excess dust and debris.



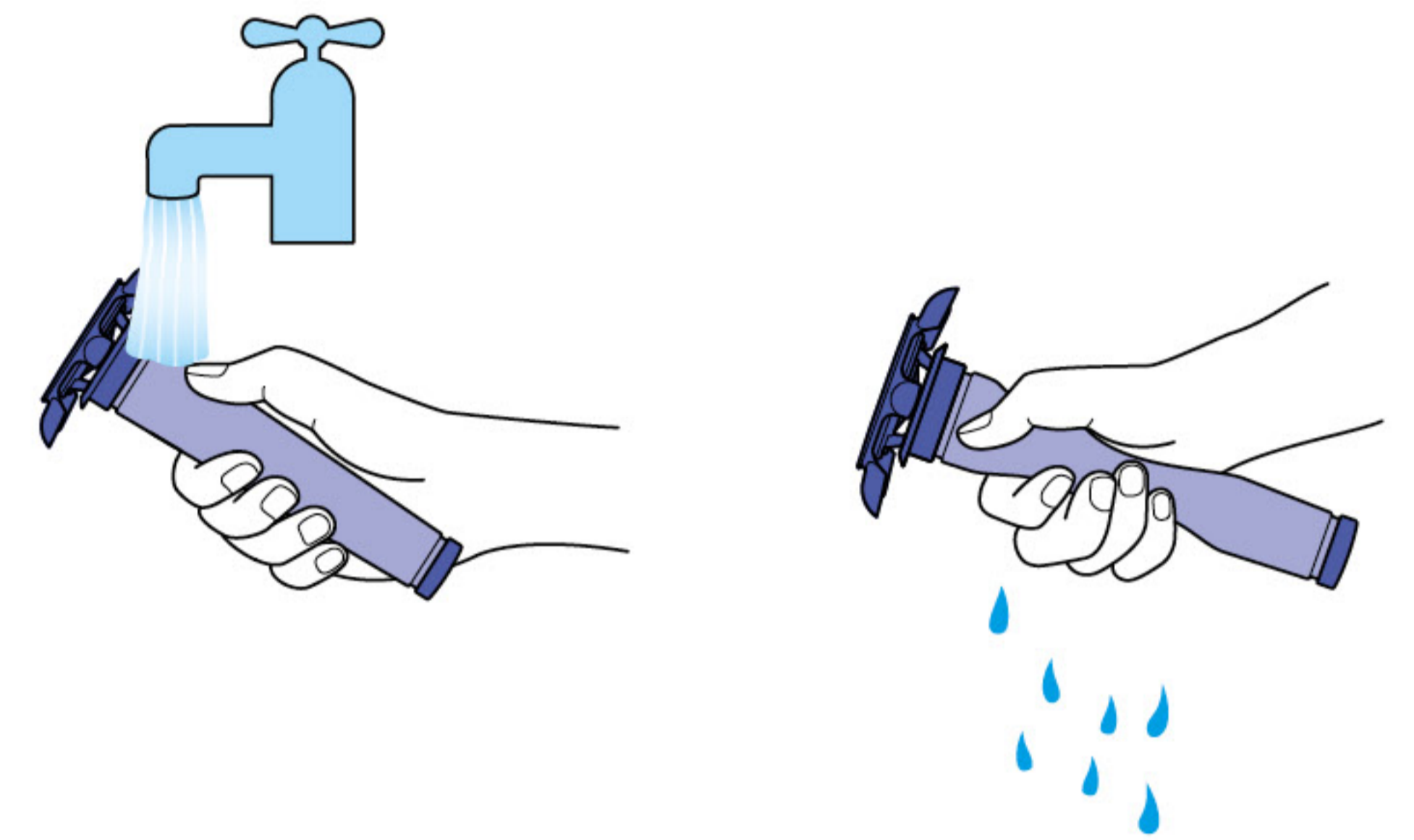
Wash your filter

Hold the open end of the filter under a running tap, until the water runs clear.

Turn the filter upside down and tap it to remove excess water.

Run water over the outside of the filter until the water runs clear.

Squeeze and twist with both hands to make sure the excess water is removed.

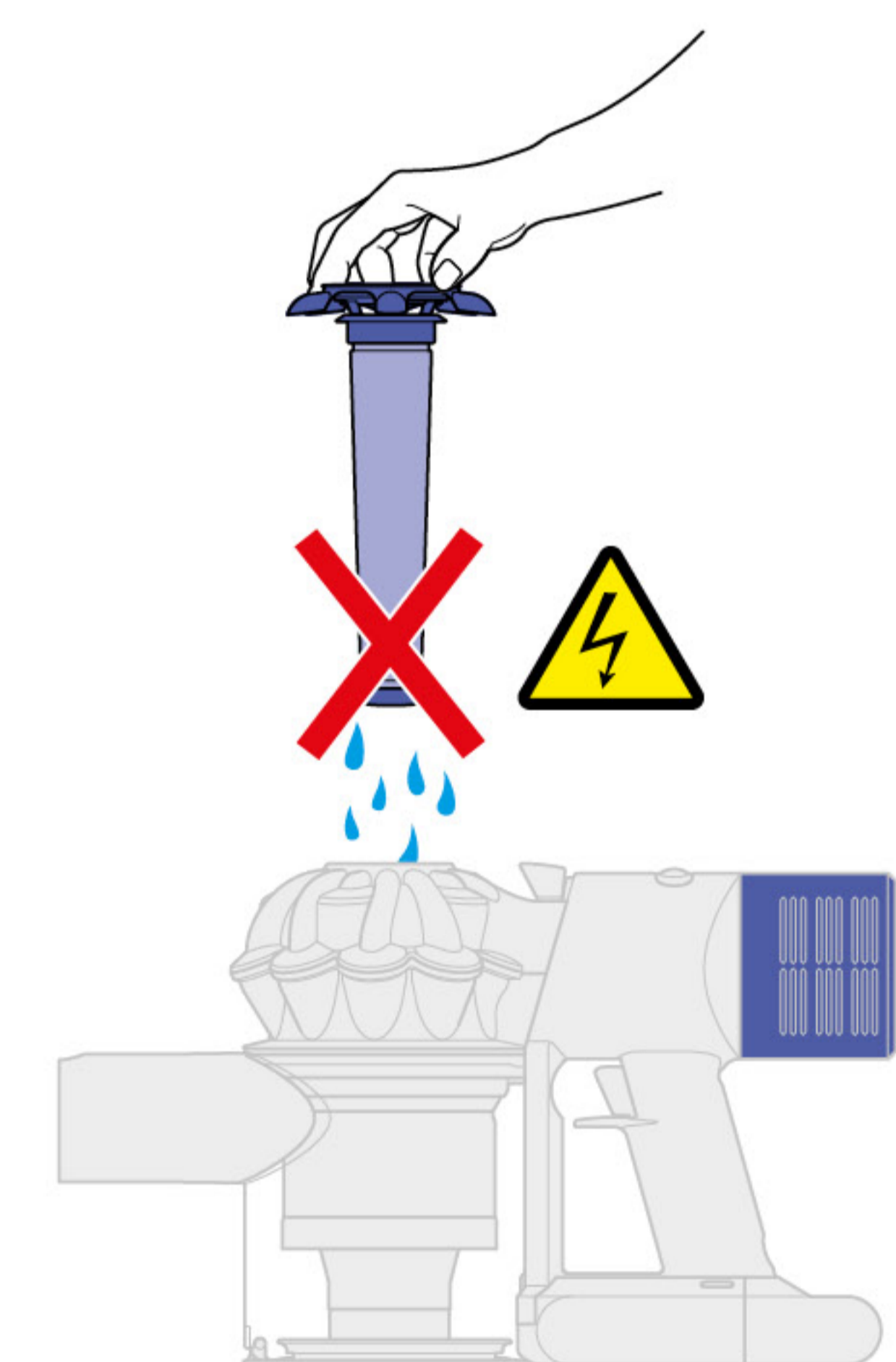
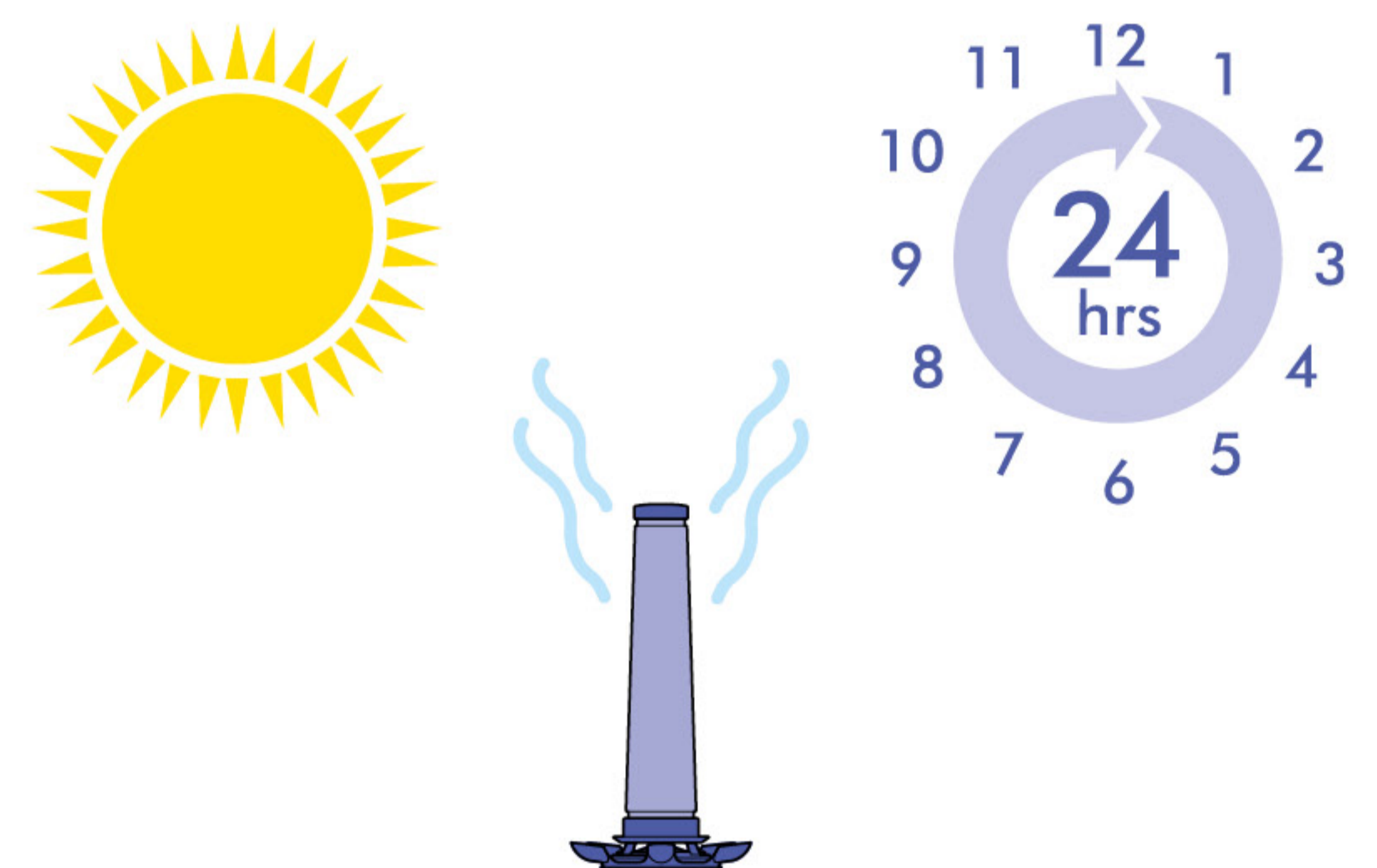


Dry your filter

Leave your filter to dry for at least 24 hours in a well-ventilated, warm place.

Do not dry your filter in a tumble-dryer or near a naked flame.

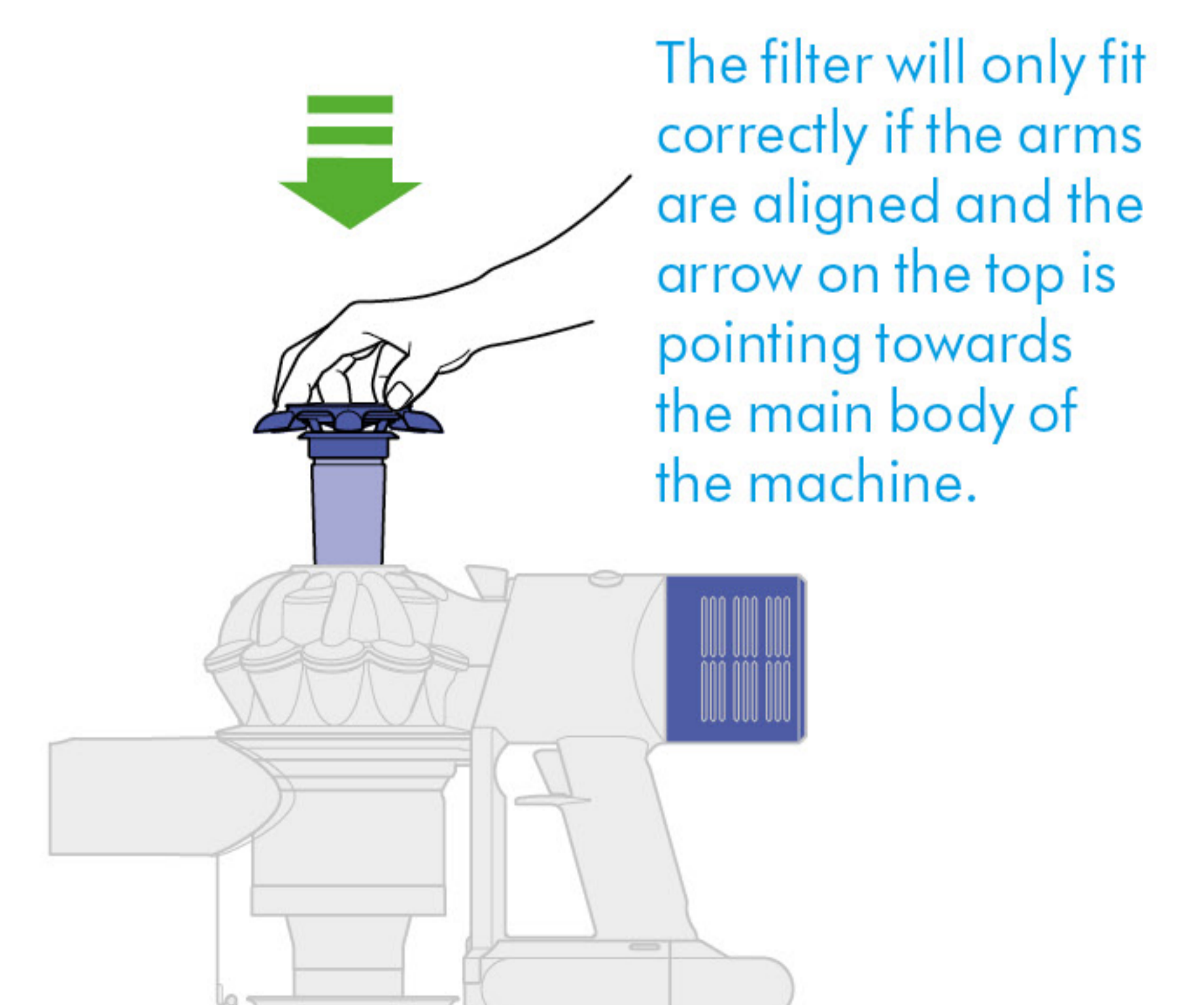
Important: your filter must be completely dry before you put it back into the machine. Your machine could be damaged if used with a damp filter.



Refit your filter

Align the arrow on the top of the filter with the bin release button.

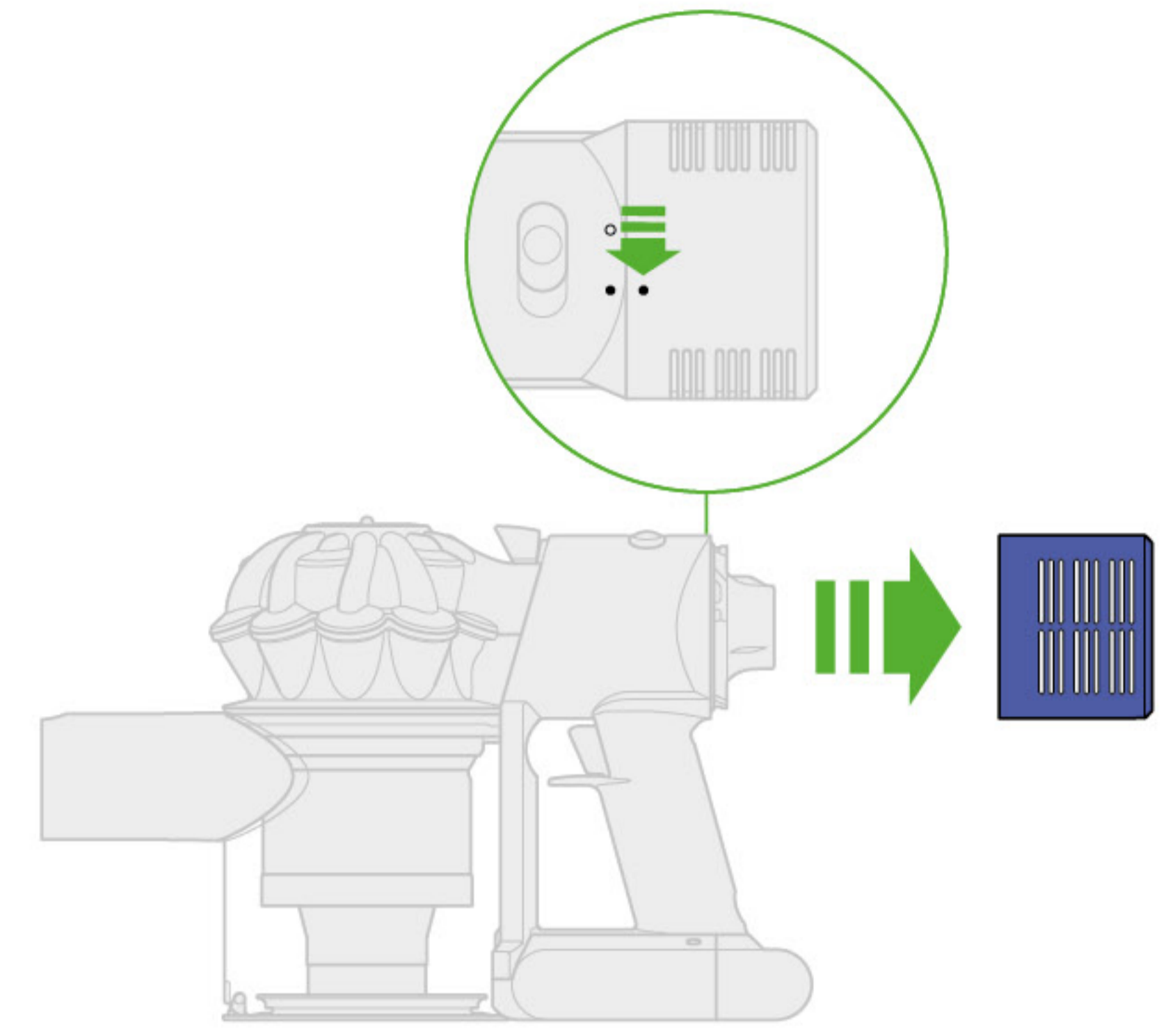
Push down to fit securely in place.



Washing filter B

Twist off your filter

Twist your filter anti-clockwise and pull it away from your machine.



Wash your filter

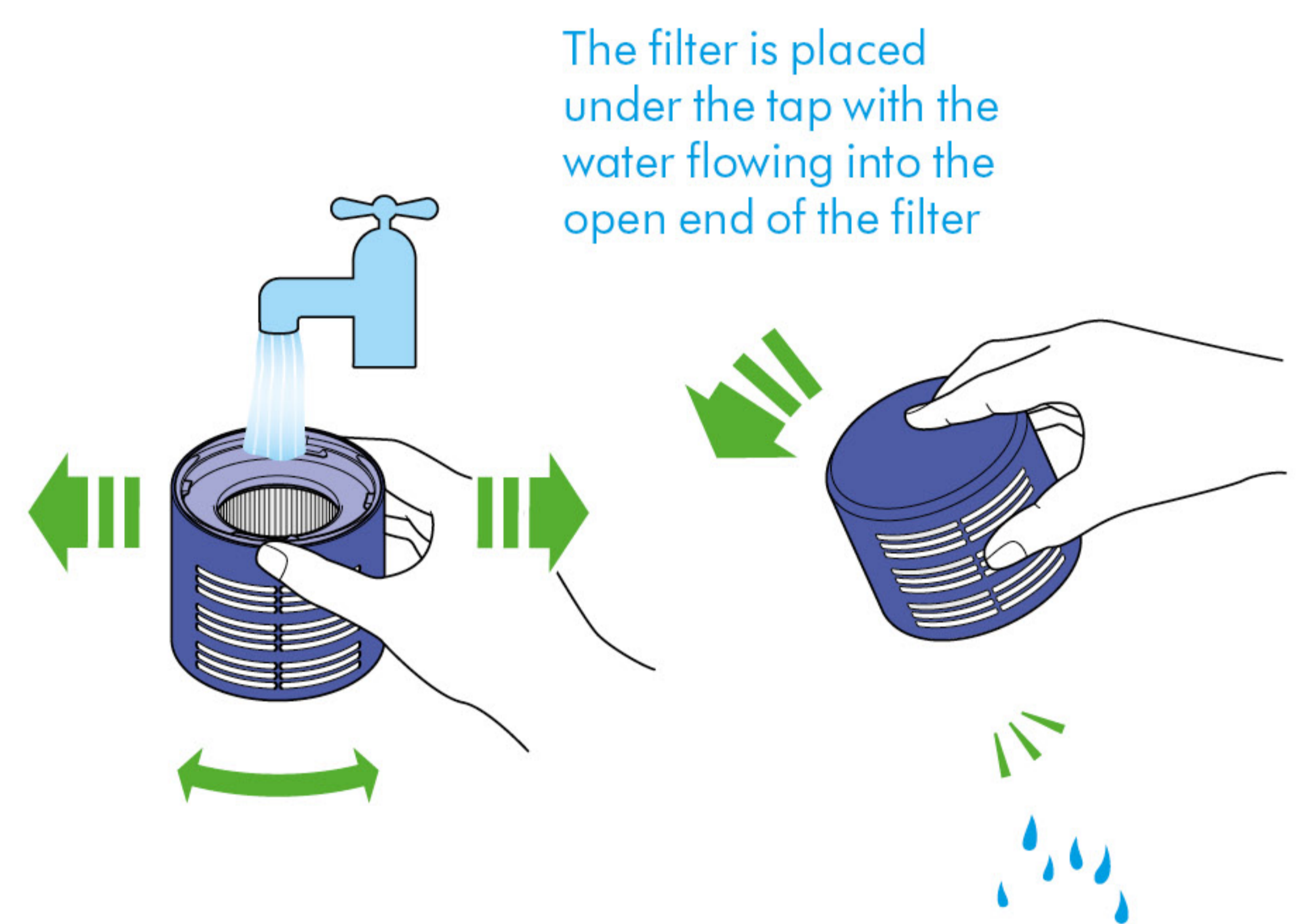
Wash the inside of the filter under cold, running water, rotating the filter to make sure all the inside is clean.

Repeat until the water runs clear.

Shake out the water

Empty the filter and shake firmly to remove excess water.

Keep shaking it until there's no water coming from the filter.



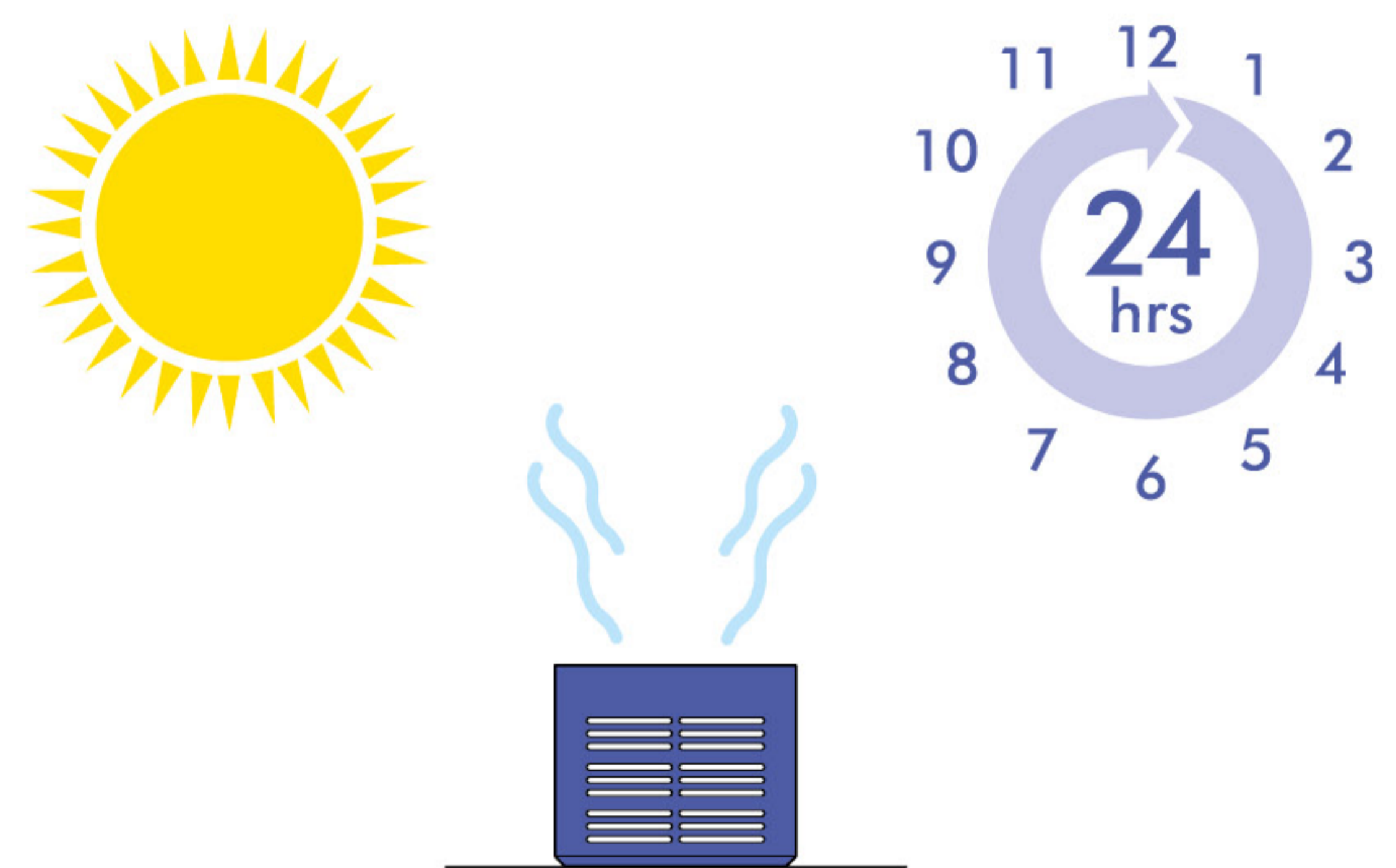
Dry your filter

Place your filter, with the open end facing up, to dry.

Leave your filter to dry for at least 24 hours in a well-ventilated, warm place.

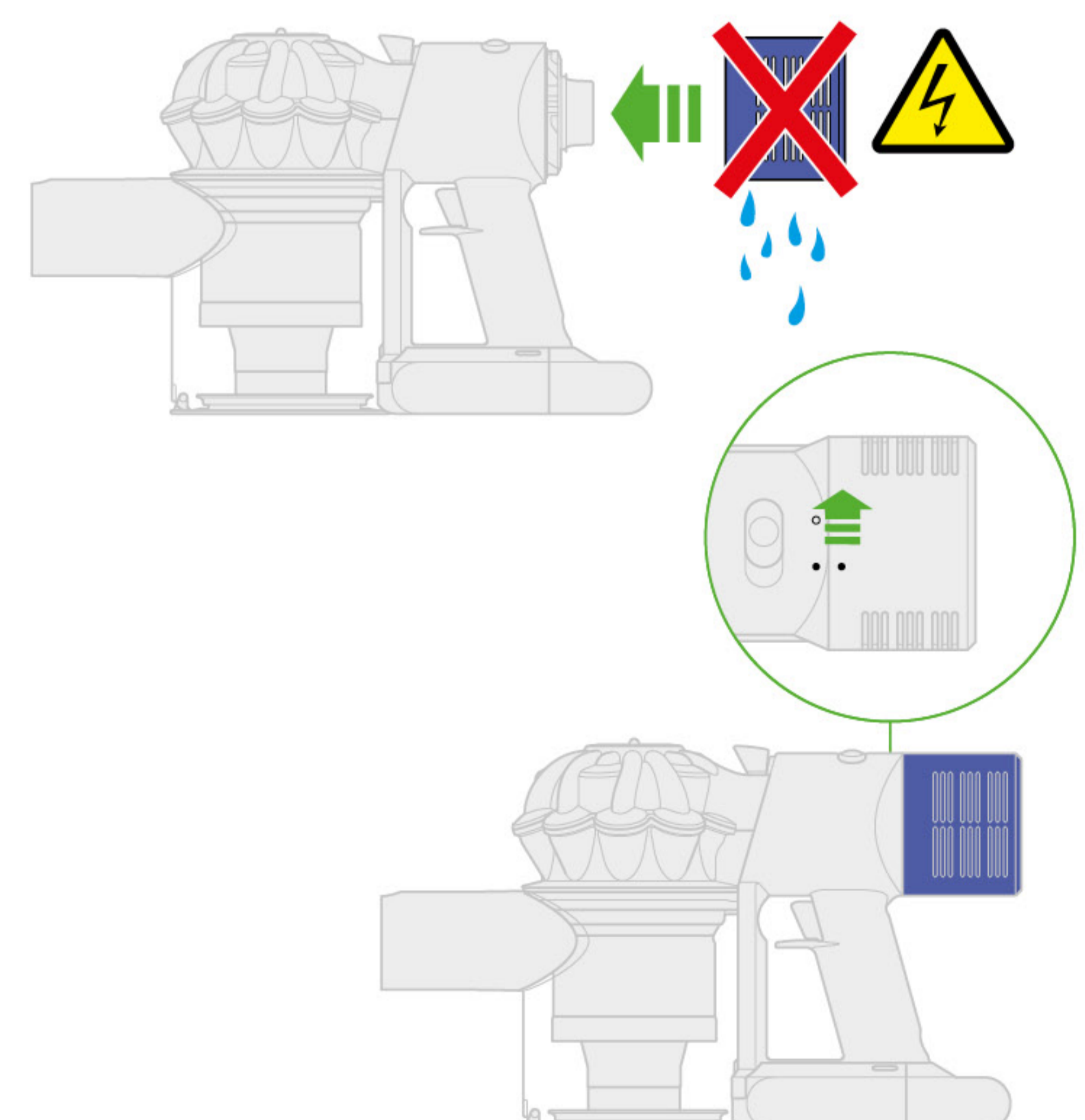
Do not dry your filter in a tumble-dryer or near a naked flame.

Important: your filter must be completely dry before you put it back into the machine. Your machine could be damaged if used with a damp filter.



Replace your filter

Place your filter on your machine, aligned in the open position. Twist clockwise until it clicks securely into position.



Clearing blockages from your Hair screw tool

Your Hair screw tool doesn't have a washable brush bar. To maintain optimum performance, check your brush bar regularly and clear any obstructions.

Make sure your machine is disconnected from the charger and take care not to touch the trigger.

Remove the cover and brush bar

Remove the Hair screw tool from the machine.

Push the base plate open. Press the red lever down to release the cleaner head cover.

Pull the cleaner head cover off the main body of the tool.

Look for obstructions

Pull your brush bar firmly to remove it from the main body.

Check and remove any obstructions from all three parts of your Hair screw tool.

Your Hair screw tool isn't washable. Wipe over with a damp lint-free cloth.

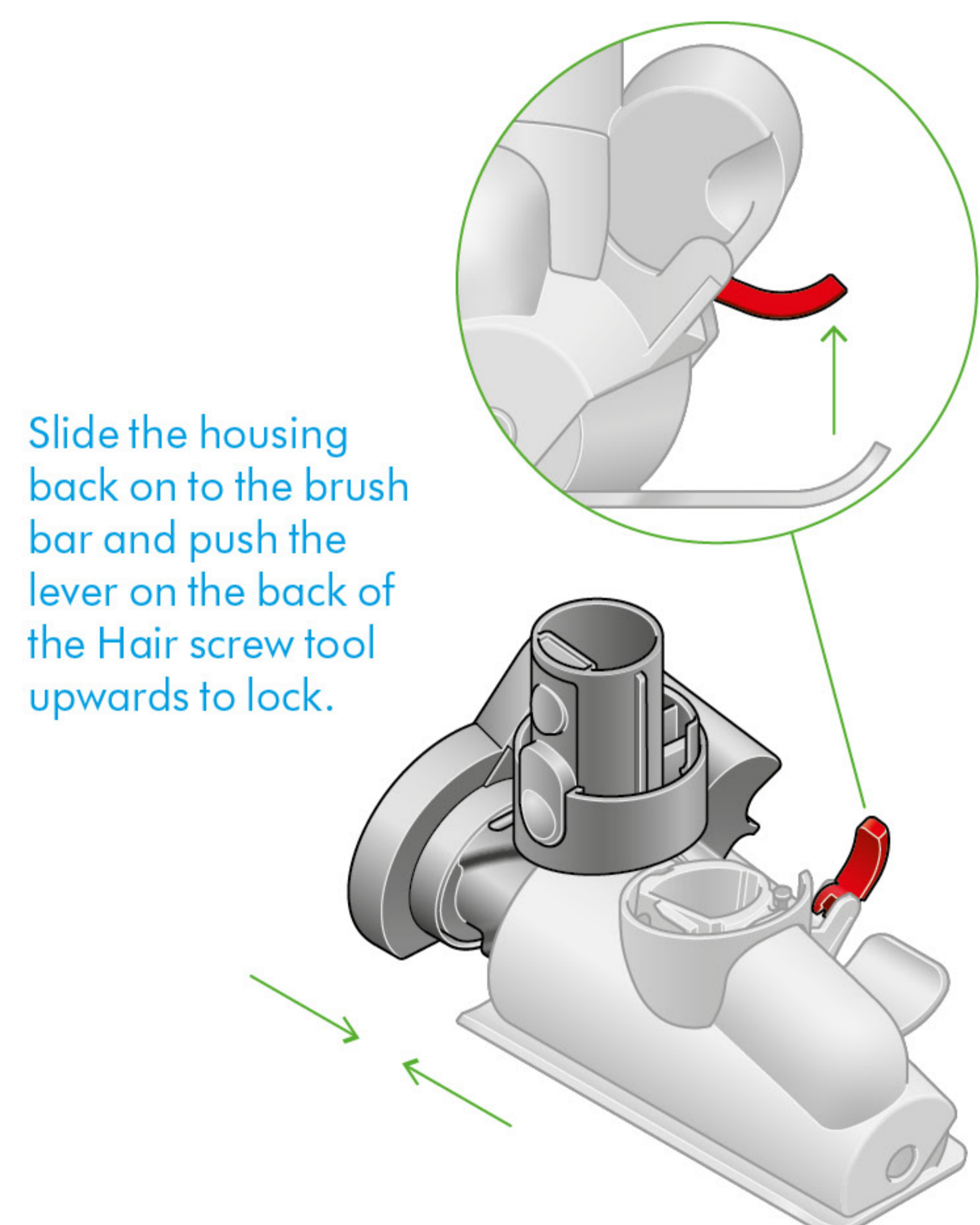
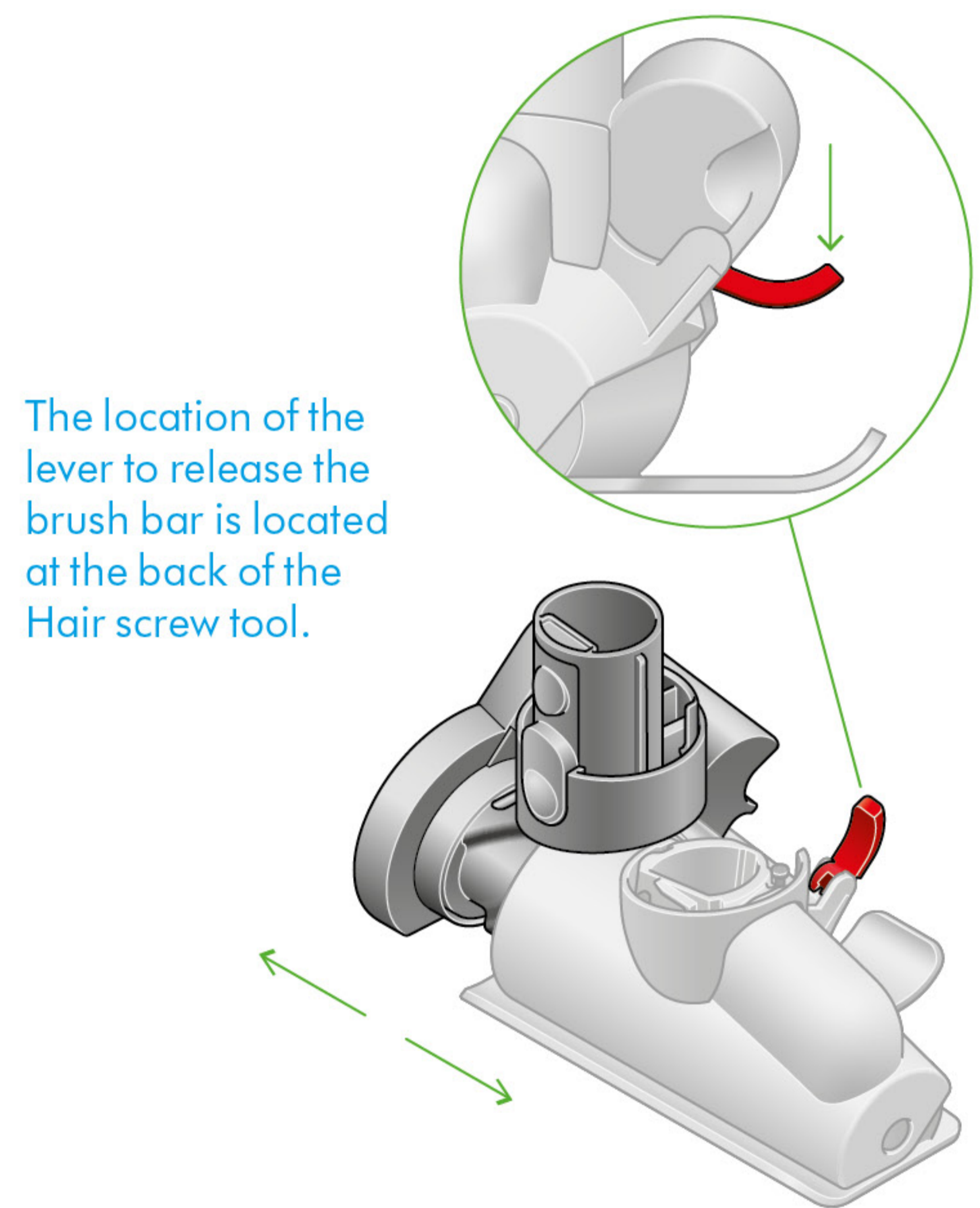
Don't put any part of your machine in a dishwasher or use detergents, polishes or air fresheners.

Re-assemble Hair screw tool

Put your brush bar back into position and press firmly until it clicks back into position.

Check the red locking lever is in the unlocked position. Align the cleaner head cover with the guide on the main body. Push it down until it clicks into position.

Push the red locking lever up until it clicks into position and push the base plate back into place.



Cleaning your tools

Don't put any part of your machine in a dishwasher or use detergents, polishes or air fresheners.

Wipe with a damp, lint-free cloth, without touching the connector end.

Make sure your tools are completely dry before using.



Combination tool



Crevice tool



Scratch-free dusting brush



Awkward gap tool



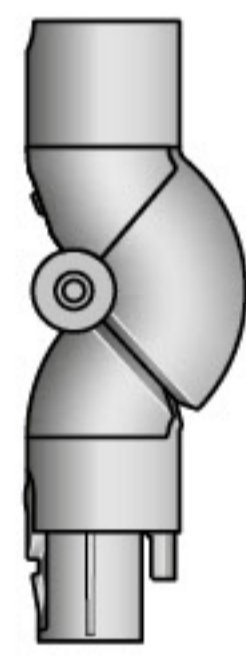
Extension hose



Soft dusting brush



Stubborn dirt brush



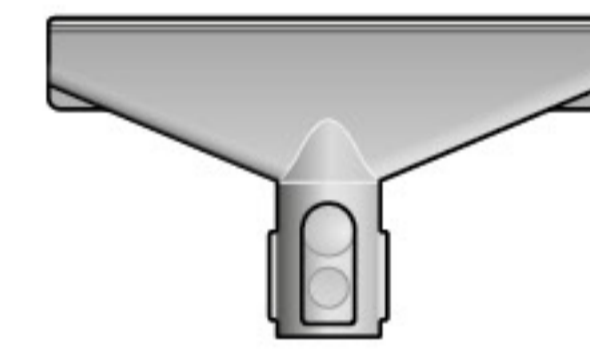
Low-reach adaptor



Light pipe crevice tool



Up-top adaptor



Fabric and mattress tool

Looking after your machine

To always get the best performance from your machine, it's important to clean it regularly and check for blockages.

Look after your machine

If your machine is dusty, wipe with a damp lint-free cloth.

Check for blockages in the tools and main body of your machine.

Wash your filter regularly and leave to dry completely.

Don't use detergents or polishes to clean your machine.

Look after your battery

To get the best performance and life from your battery, use Powerful suction mode.

Your machine won't operate or charge if the ambient temperature is below 5°C (41°F). This is designed to protect both the motor and battery.

Your serial numbers

You can register your machine using the serial number found on the bottom of your machine.

You can find your serial numbers on your machine, battery and charger. Use your serial number to register.