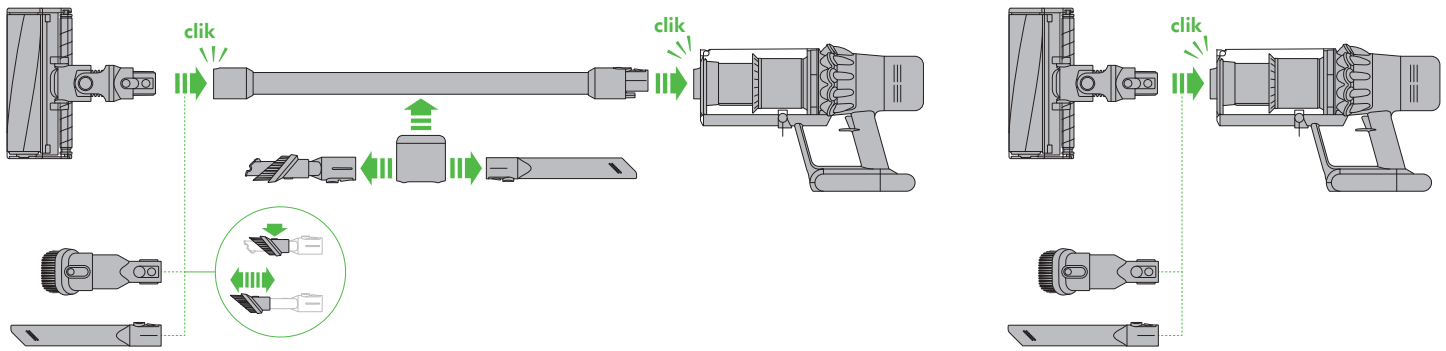


Assembling your machine  
 组装您的机器  
 組裝您的機器

기계 조립하기  
 การประกอบเครื่องของคุณ  
 Merakit mesin Anda



Quick start  
 快速使用说明  
 快速入門

빠른 시작  
 เริ่มต้นใช้งาน  
 Mulai cepat

**Power modes**  
 Your machine has three power modes for different tasks. Change cleaning modes quickly using a single button.  
 Eco: Maximum run time, for longer cleans.  
 Auto/Med: The optimum balance to clean all floors.  
 Boost: Intensive cleaning for ground-in dirt.

**功率模式**  
 本产品有三种功率模式，分别适合不同的任务。  
 通过一个按钮快速改变清洁模式。  
 运行时间最长，适合长时间清洁。  
 最平衡平衡点，适合清洁所有地板类型。  
 连接高扭矩吸头以激活 Auto (自动) 模式，从而在地毯和硬地板之间自动调节功率。  
 強力清潔頑固污垢。

**動力模式**  
 本產品針對不同的工作設計有三種吸力模式。以一個按鈕即可迅速變更清潔模式。  
 Eco (節能)：運作時間最長，適合長時間清潔。  
 Auto/Med (自動/中段)：清潔各種地板材質最適模式。  
 接上高扭矩吸頭以啟動「自動」模式，能在地毯和硬質地面之間自動調整吸力。  
 Boost (強效)：強力清潔頑固塵垢。

**청소모드**  
 3가지 청소 모드로 어느 곳을 청소하든 각 용도에 맞는 흡입력으로 설정하여 사용 가능합니다. 버튼 하나로 간편하게 청소 모드를 변경할 수 있습니다.  
 일반: 더욱 긴 청소를 위한 최대 사용 시간 제공.

자동/미디엄: 모든 바닥을 청소할 수 있는 최적의 균형.  
 하이 토크 청소기 헤드를 부착하여 자동/미디엄 모드를 활성화합니다. 이는 카펫과 딱딱한 마루 바닥 사이에서 힘을 자동으로 조정합니다.  
 부스트: 찌든 먼지를 제거하기 위한 집중 청소.

โหมดกำลัง  
 อุปกรณ์ของคุณมีโหมดกำลังสามโหมดสำหรับงานที่แตกต่างกัน เปลี่ยนโหมดกำลังและเอาต์อย่างรวดเร็วด้วยเพียงปุ่มเดียว  
 Eco (ประหยัด): เวลาใช้งานสูงสุด ทำความสะอาดได้ยาวนานขึ้น  
 Auto / Med (อัตโนมัติ): สมดุลของกำลังสำหรับทำความสะอาดพื้นทุกชนิด  
 ติดหัวทำความสะอาดแบบ High-torque เพื่อเปิดใช้งานโหมดอัตโนมัติ ซึ่งจะปรับกำลังใช้งานโดยอัตโนมัติระหว่างพรมและพื้นแข็ง  
 Boost (แรงพิเศษ): ทำความสะอาดล้ำลึก สำหรับสิ่งสกปรกที่ฝังอยู่

**Mode daya**  
 Mesin Anda memiliki tiga mode daya untuk pengoperasian yang berbeda. Ubah mode pembersihan dengan cepat menggunakan satu tombol.  
 Eco (Hemat): Waktu pengoperasian maksimum, untuk pembersihan lebih lama.  
 Auto/Med (Otomatis/Sedang): Keseimbangan optimal untuk membersihkan semua lantai.  
 Pasang kepala pembersih torsi Tinggi untuk mengaktifkan mode Auto (Otomatis/Sedang), yang secara otomatis mengadaptasikan daya antara karpet dan lantai keras.  
 Boost (Maksimum): Pembersihan intensif untuk kotoran yang sulit dibersihkan.

**Fully charge before first use**  
 It is important to fully charge your machine before using for the first time and after every use.

首次使用前，請充滿電  
 首次開機前和每次使用後請先充滿電，以便獲得更佳清潔體驗。

首次使用前充滿電  
 首次使用前，務必為機器充滿電。

처음 사용하기 전에 완전히 충전하십시오.  
 제품을 처음 사용하기 전과 매 사용 후에는 완전히 충전하는 것이 중요합니다.

ชาร์จเครื่องให้เต็มก่อนใช้งานเป็นครั้งแรก  
 การชาร์จเครื่องให้เต็มก่อนใช้งานเป็นครั้งแรกและทุกครั้งหลังการใช้งานเป็นสิ่งสำคัญ

Isi penuh sebelum digunakan untuk pertama kali  
 Penting untuk mengisi daya baterai hingga penuh sebelum digunakan untuk pertama kali, dan setiap selesai penggunaan mesin.

Scan with your phone or QR reader to get the most out of your machine. Requires Apple iOS 11 or later, a compatible Android device or a QR reader. Use your phone or a QR code scanner to learn more product information.  
 需要 Apple iOS 11 或更高版本、兼容安卓设备或二维码阅读器  
 使用手機或 QR Code 讀取器掃描，讓您的產品發揮最大功用。  
 需要具備 Apple iOS 11 或更新版本、相容的 Android 裝置或 QR Code 讀取器。  
 스마트폰 카메라로 QR 코드를 스캔하여 청소기 활용 팁을 확인하세요.  
 Apple iOS 11 이상, 호환되는 Android 장치 또는 QR 판독기 필요  
 สแกนด้วยโทรศัพท์ของคุณหรือเครื่องอ่าน QR โค้ด เพื่อให้อุปกรณ์ของคุณได้เกิดประโยชน์สูงสุด  
 ใช้งานได้กับ Apple iOS เวอร์ชัน 11 ขึ้นไป, อุปกรณ์ Android ที่ใช้ร่วมกับได้ หรือโปรแกรมอ่าน QR โค้ด  
 Pindai dengan ponsel atau pembaca kode batang Anda untuk memaksimalkan mesin. Memerlukan Apple iOS 11 atau yang lebih baru, perangkat Android kompatibel atau pembaca QR.

Thank you for choosing to buy a  
Dyson machine

To read your manual in English go to page 3.

感谢您选择购买戴森产品。

如需阅读简体中文版手册，请转至第 14 页。

感謝您選購戴森產品。

若要閱讀繁體中文版手冊，請翻至第 24 頁。

다이슨 제품을 구입해 주셔서 감사합니다.

국문 사용 설명서를 보려면 34 페이지로 이동해주세요.

ขอบคุณที่เลือกซื้ออุปกรณ์ Dyson

ไปที่หน้า 44 เพื่ออ่านคู่มือภาษาไทย

Terima kasih telah membeli

mesin Dyson

Untuk membaca panduan dalam bahasa Indonesia,  
buka halaman 55.

EN

Thank you for choosing  
to buy a Dyson cord-free  
vacuum

## Activating your guarantee

We don't stop caring about our machines once they're yours. After activating your free two-year guarantee, your Dyson cord-free vacuum will be covered for parts and labour (excluding filters) for two years from the date of purchase, subject to the terms of the guarantee. Even after your guarantee has ended, we'll still be on hand to help.

- Free Dyson parts and labour
- Hassle-free replacement
- Expert advice. Seven days a week.
- 'How to' videos and helpful tips

You will need your serial number, located on the base of your machine. Note your serial number for future reference.

This illustration is for example purposes only.



### How can we help?

Solve a problem  
Get tips and guides  
Learn about Dyson technology and  
other Dyson machines  
Online:  
[www.dyson.com](http://www.dyson.com)

### Dyson customer care

If you have a question about your Dyson cord-free machine, call the Dyson Helpline with your serial number and details of where and when you bought the machine, or contact us through the Dyson website.

## IMPORTANT SAFETY INSTRUCTIONS

**BEFORE USING THIS APPLIANCE READ ALL INSTRUCTIONS AND CAUTIONARY MARKINGS IN THE USER MANUAL AND ON THE APPLIANCE.**

When using an electrical appliance, basic precautions should always be followed, including the following:

### WARNING

These warnings apply to the appliance, and also where applicable, to all tools, accessories, batteries, chargers or mains adaptors.

### TO REDUCE THE RISK OF FIRE, ELECTRIC SHOCK OR INJURY:

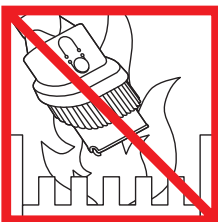
1. The appliance is not intended for use by persons (including children) with reduced physical, sensory or mental capabilities, or lack of experience and knowledge, unless they have been given supervision or instruction concerning use of the appliance by a person responsible for their safety.
2. Do not allow to be used as a toy. Close attention is necessary when used by or near children. Children should be supervised to ensure that they do not play with the appliance.
3. Use only as described in the Dyson User manual. Do not carry out any maintenance other than that shown in the manual, or advised by the Dyson Helpline.
4. Suitable for dry locations ONLY. Do not use outdoors or on wet surfaces.
5. Do not handle any part of the charger or appliance with wet hands.
6. Do not use with a damaged charger or cable.
7. If the appliance is not working as it should, if it has received a sharp blow, if it has been dropped, damaged, left outdoors, or dropped into water, do not use and contact the Dyson Helpline.
8. Contact the Dyson Helpline when a service or repair is required. Do not disassemble the appliance as incorrect reassembly may result in an electric shock or fire.
9. Do not stretch the cable or place the cable under strain. Keep the cable away from heated

- surfaces. Do not close a door on the cable, or pull the cable around sharp edges or corners. Arrange the cable away from traffic areas and where it will not be stepped on or tripped over. Do not run over the cable.
10. Do not use to pick up water.
  11. Do not use to pick up flammable or combustible liquids, such as petrol, or use in areas where they or their vapours may be present.
  12. Do not pick up anything that is burning or smoking, such as cigarettes, matches, or hot ashes.
  13. Keep hair, loose clothing, fingers, and all parts of the body away from openings and moving parts, such as the brush bar. Do not point the hose, wand or tools at your eyes or ears or put them in your mouth.
  14. Do not insert any objects into any openings. Do not use with any openings blocked; keep free of dust, lint, hair, and anything that may reduce airflow.
  15. Use only Dyson recommended accessories and replacement parts.
  16. Do not use without the clear bin and filter(s) in place.
  17. Unplug the charger when not in use for extended periods.
  18. Use extra care when cleaning on stairs.
  19. To prevent unintentional starting, be careful to keep your hands and fingers away from the power trigger until you are ready to begin vacuuming, especially when picking up or carrying the appliance. Carrying the appliance with your finger on the power trigger invites accidents.
  20. Do not install, charge or use this appliance outdoors, in a bathroom or within 3 metres (10 feet) of a pool. Do not use on wet surfaces and do not expose to moisture, rain or snow.
  21. When removing or replacing a motorised brush bar, be careful not to pull the power trigger until the cleaner head has been reassembled.
  22. Do not use a battery or appliance that is damaged or modified. Damaged or modified batteries may exhibit unpredictable behaviour resulting in fire, explosion or risk of injury. The battery used in this appliance may present a risk of fire or chemical burn if mistreated. Do not disassemble or short-circuit the battery's supply terminals. Do not expose the battery or appliance to fire or excessive temperatures. Exposure to fire or temperatures above 60°C (140°F) may cause explosion.
  23. Use only the Dyson charger Part Number 217160 or 270576 for charging this appliance. Use only the Dyson battery Part Number 355983 for this appliance. Other types of batteries may explode, causing damage and injury to persons.
  24. Disconnect the battery from the appliance before cleaning, maintaining or storing the appliance for extended periods of time.
  25. When the battery is not in use, keep it away from other metal objects, like paper clips, coins, keys, nails, screws or other small metal objects, that can make a connection from one terminal to another. Shorting the battery terminals together may cause burns or a fire.
  26. The battery should be removed from the appliance and safely disposed of in accordance with local ordinances or regulations.
  27. The battery is a sealed unit and under normal circumstances poses no safety concerns. In the unlikely event that liquid leaks from the battery, do not touch the liquid as it may cause irritation or burns, and observe the following precautions:
    - Skin contact – can cause irritation. Wash with soap and water.
    - Inhalation – can cause respiratory irritation. Expose to fresh air and seek medical advice.
    - Eye contact – can cause irritation. Immediately flush eyes thoroughly with water for at least 15 minutes. Seek medical attention.
    - Disposal – wear gloves to handle the battery and dispose of immediately, following local ordinances or regulations.
  28. Follow all charging instructions and refer to the 'Changing your battery' section for details on how to change the battery. Do not charge the battery or the appliance outside of the temperature range specified in the instructions. Charging improperly or at a temperature outside of the specified range may damage the battery and increase the risk of fire. To ensure maximum battery life, Dyson recommends the following:
    - When not in use the appliance should be stored at room temperature. Recommended range: 18°C (64°F) to 28°C (82°F).
    - The ambient temperature range for operation and charging should be 10°C (50°F) to 30°C (86°F).
  29. **FIRE WARNING** – Do not place this appliance on or near a cooker or any other hot surface and do not incinerate this appliance even if it is severely damaged. The battery might catch fire or explode.

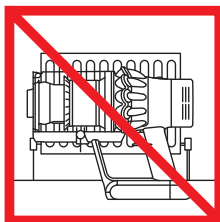
30. FIRE WARNING – Do not apply any fragrance or scented product to the filter(s) of this appliance. The chemicals in such products are known to be flammable and can cause the appliance to catch fire.

## READ AND SAVE THESE INSTRUCTIONS

THIS DYSON APPLIANCE IS INTENDED FOR HOUSEHOLD USE ONLY.



Do not use near naked flames.



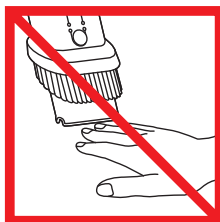
Do not store or charge near heat sources.



Do not pick up water or liquids.



Do not pick up burning objects.

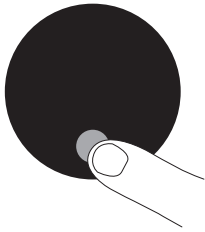


Do not put hands near the brush bar when the appliance is in use.



Do not place on or near a cooker.

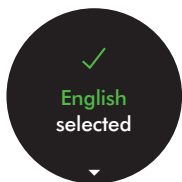
# The screen



## Settings menu

Control the settings on your machine using the Selection button. To enter the settings menu, press and hold the button until the menu screen appears. Tap to scroll through the options available.

## Setting up your language



Before using your machine, you will need to set up your preferred language option.

You can continue to use your machine without setting up the language but you will be prompted each time you release the trigger.

To set up your language, tap the Selection button to activate the screen.

Tap the button to scroll through the language list to your preferred language. Press and hold the button until the countdown ends to set your language.

To cancel your selection, release the button during the countdown.

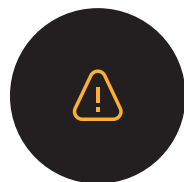
A green tick will appear on the screen to show your language selection is complete.

You can access a full list of available languages by selecting 'More+' from the language list.

## Changing language

Follow the steps in the language set-up to change your language.

## Change alert setting



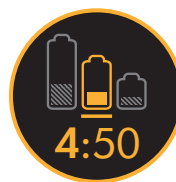
Scroll to select on or off. Hold the Selection button until the countdown ends and a tick appears on the screen.

Tap to scroll through the settings menu. Select the 'Alerts' option.

## Exit settings menu

To exit the settings menu, tap to scroll through the settings menu. Select 'Exit menu'.

## Low battery



Your machine will pulse three times and a low battery icon will appear on the screen to alert you when your battery needs to be charged.

When your battery is empty, a final warning icon will appear on the screen.

## Battery health



To get the best performance and life from your battery, use Eco or Auto/Med mode.

## Alerts

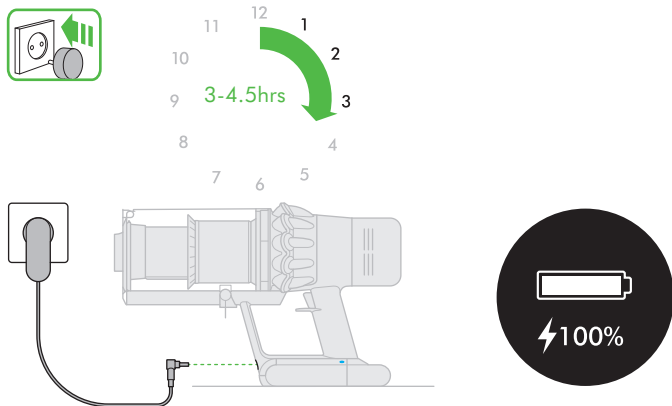
Alerts will appear on the screen when your machine needs your attention.

A filter icon will alert you when the filter isn't fitted correctly or needs cleaning.

A blockage icon will alert you when a blockage needs removing from your machine.

# Charging and storing your machine

It's important to fully charge your new machine before using it for the first time, and after every clean. This is because the battery and monitoring system's algorithm 'learns' over time, and fully charging your machine helps it to more accurately calculate and display remaining run time.

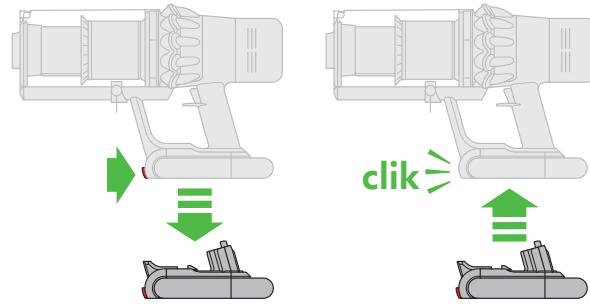


Connect to the charger either directly or in the docking station. The blue LEDs on either side of the battery will flash during charging. When the battery is charged, both LEDs will light for 5 seconds.

Your battery is fully charged when the display shows 100%. Battery empty and needs charging. Your machine won't operate if the ambient temperature is below 0°C (32°F). This is designed to protect both the motor and battery.

# Changing your battery

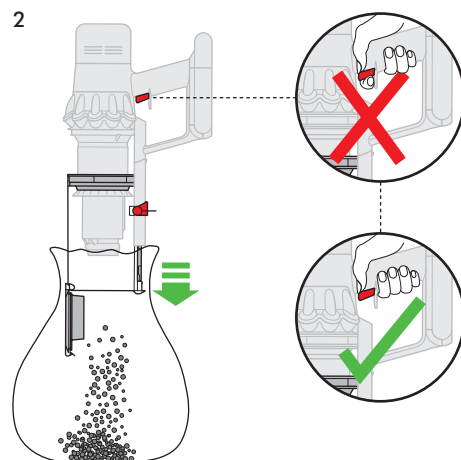
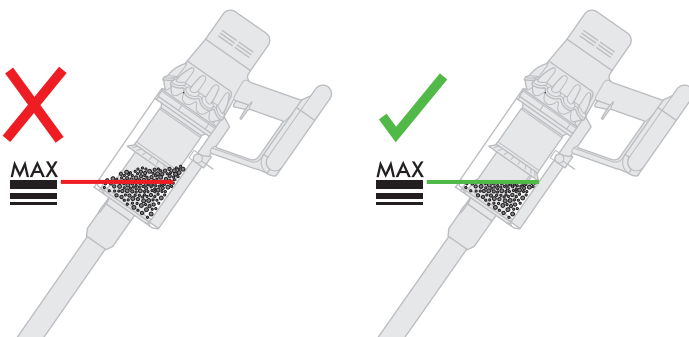
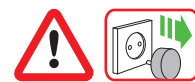
Where you have additional batteries, we recommend that you alternate the batteries to maintain even performance.



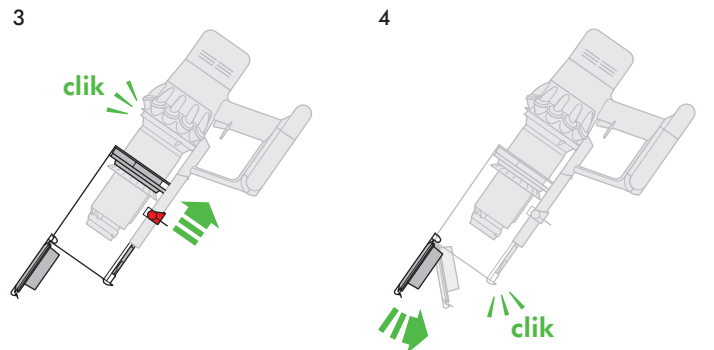
**To remove a battery**  
Hold your hand under the battery to support it. Press the battery release button and slide the battery off the handle. Place the battery on charge.

**To install a battery**  
Slide the battery onto the handle until it clicks securely in place.

# Emptying your clear bin

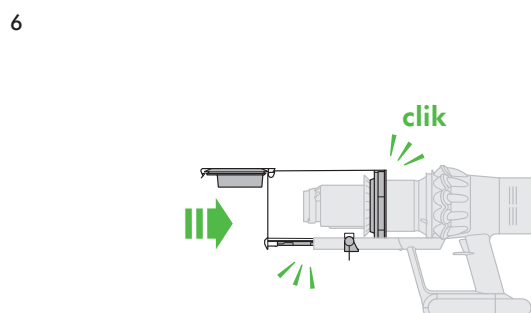
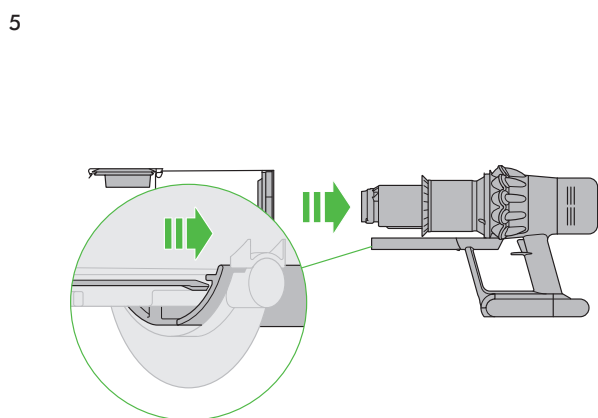
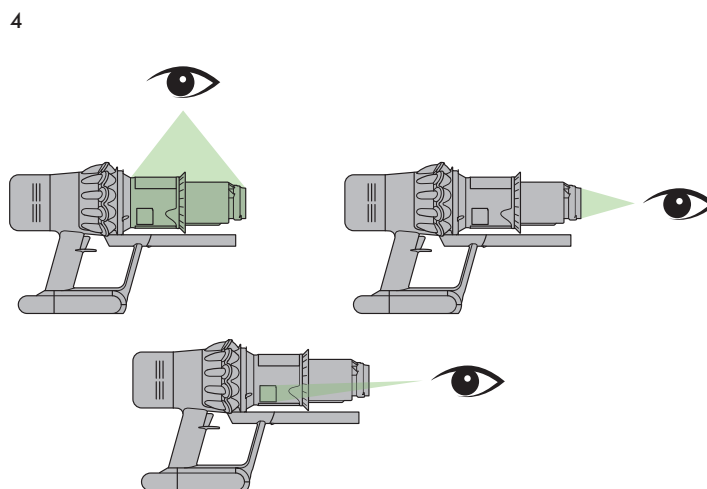
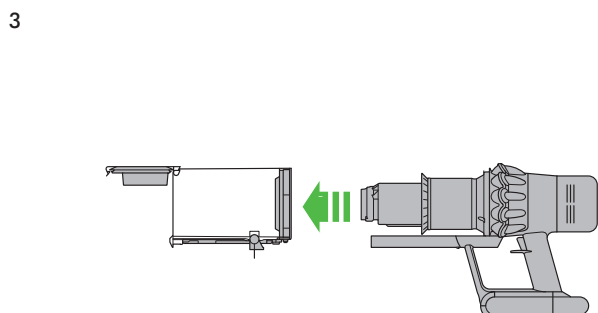
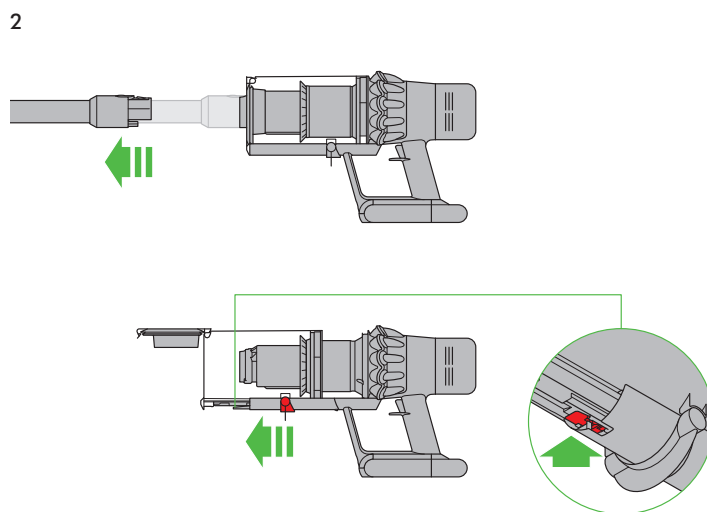
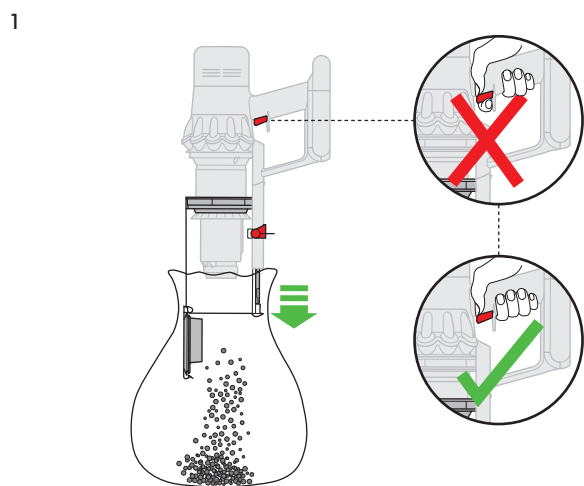
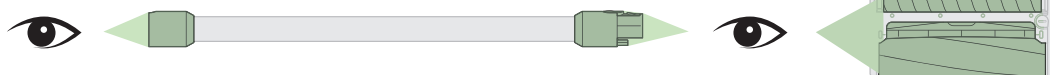


Be careful not to pull the power trigger while the clear bin is open for emptying.



To close the clear bin, push the bin base upwards until the clear bin and bin base click into place.

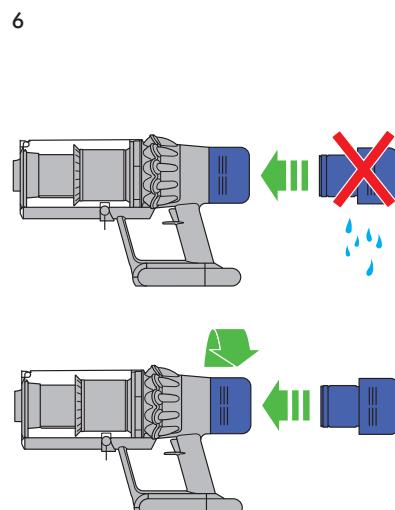
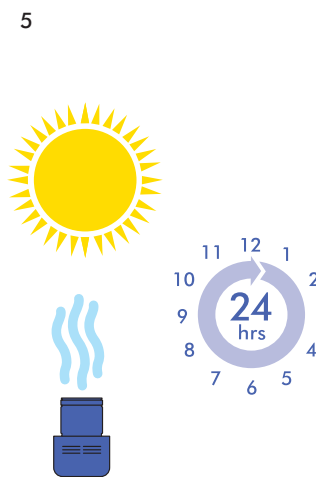
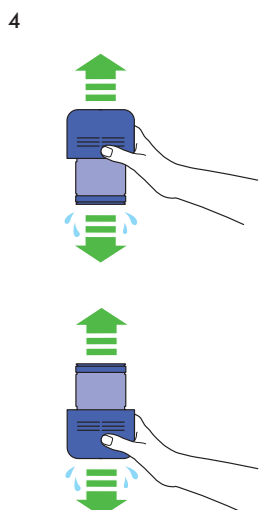
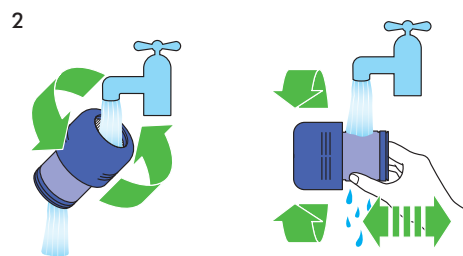
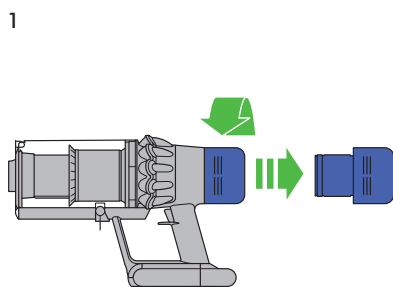
# Looking for blockages



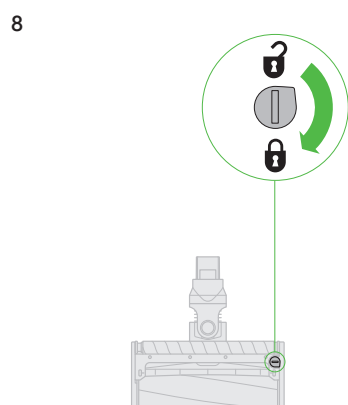
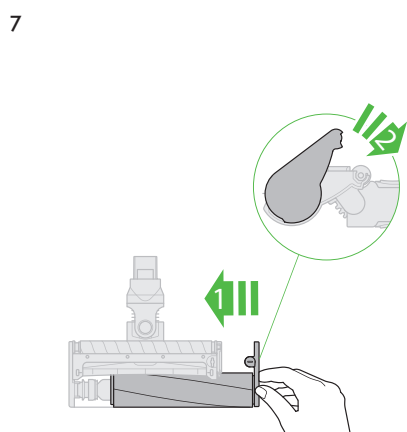
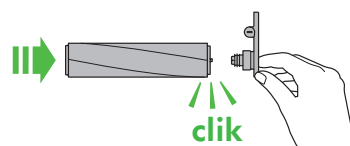
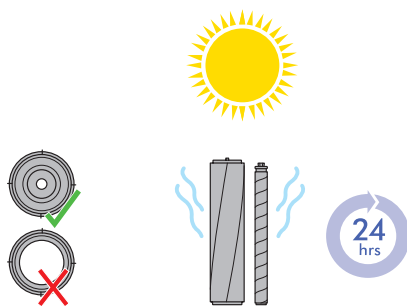
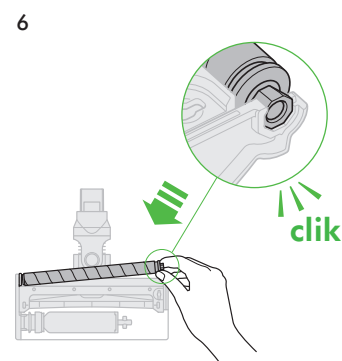
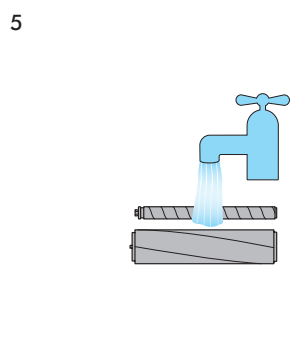
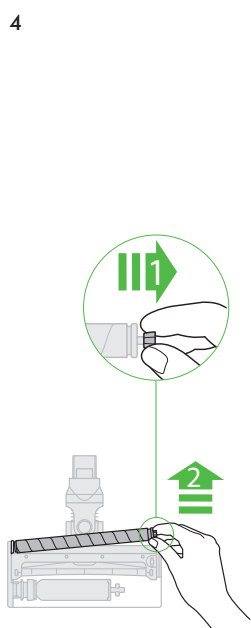
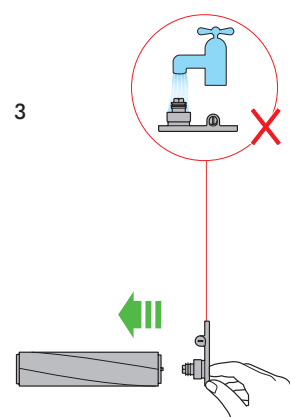
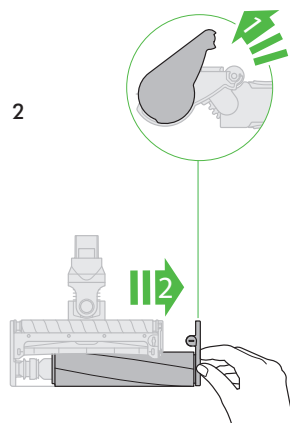
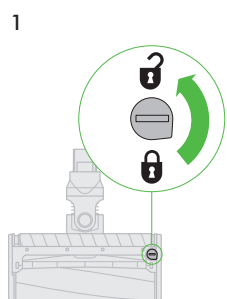
To close the clear bin, push the bin base upwards until the clear bin and bin base click into place.



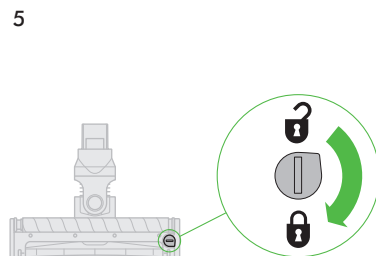
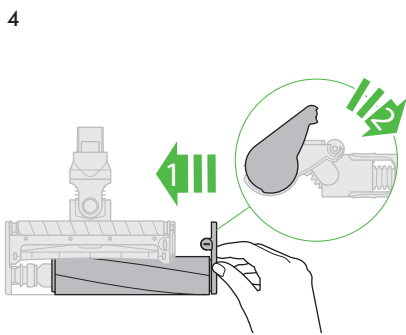
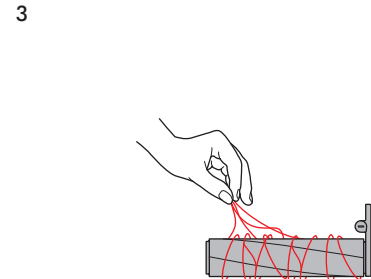
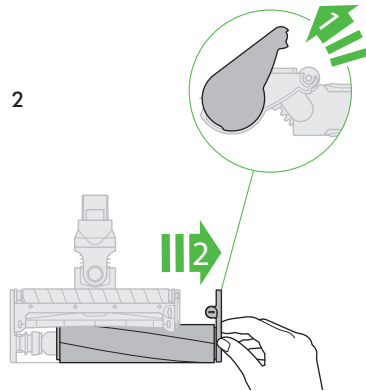
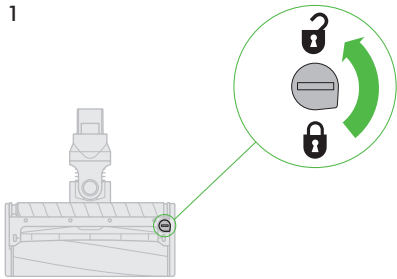
# Washing your filter unit



# Soft roller cleaner head maintenance – washing the brush bars



# Soft roller cleaner head maintenance – clearing blockages



# Additional information

Please read the 'Important safety instructions' in the Dyson User manual before proceeding.

## Installing your docking station

- Unpack the docking station, charger and installation leaflet.
- Choose a suitable location for the docking station and make sure there is no pipework (gas, water or air), electrical cables, wires or ductwork directly behind the mounting location.
- Don't locate the docking station near a heat source such as a cooker, radiator or in direct sunlight.
- Follow the instructions on the installation leaflet.
- Click the tools into place on the docking station.
- Place the machine into the docking station.
- Plug the charger into the mains electricity supply. Switch on (if necessary) to charge the battery.

Your machine will need to be fully charged before first use.

The docking station must be mounted in accordance with regulations and applicable codes/standards (state and local laws may apply).

Dyson recommends the use of protective clothing, eyewear and materials when installing the docking station.

## Using your machine

- Check that the underside of the cleaner head or tool is clean and free from foreign objects that may cause damage.
- Before vacuuming your flooring, rugs and carpets, check the manufacturer's recommended cleaning instructions.
- The brush bar on the machine can damage certain carpet types and floors. Some carpets will fuzz if a rotating brush bar is used when vacuuming. If this happens, we recommend vacuuming without the motorised floor tool and consulting with your flooring manufacturer.

## Emptying your clear bin

- Empty as soon as the dirt reaches the MAX level – don't overfill. Using the machine when the dirt is above the MAX line may cause the dirt to reach the filter and more frequent maintenance will be required.
- Be careful not to pull the power trigger while the clear bin is open for emptying.
- Press the red wand release button and pull the wand away from the bin.
- To release the dirt:
  - Hold the machine over a bin in a downwards position.
  - Firmly push the red bin release button. The bin will slide down, cleaning the shroud as it goes and the bin base will open.

The bin base won't open if the red bin release button isn't pushed down all the way.

To minimise dust contact when emptying, encase the clear bin tightly in a dust proof bag and empty. Remove the clear bin carefully from the bag. Seal the bag tightly and dispose.

Be careful not to pull the power trigger while the clear bin is open for emptying.

- To close the clear bin:
  - Push the bin base upwards until the clear bin and bin base click into place.

## Cleaning your clear bin

If it is necessary to clean your clear bin, empty the bin as shown in the 'Emptying your clear bin' section.

- Press the red button located on the bin runner to release the bin and slide the bin off the runner.
- Clean the clear bin with a damp cloth only.
- Make sure that the clear bin and seals are completely dry before replacing.
- To refit the clear bin:
  - Insert the spine on to the bin runner.
  - Close the clear bin by pushing the bin base upwards until the clear bin and bin base click into place.

The clear bin is not dishwasher safe and the use of detergents, polishes or air fresheners to clean the clear bin is not recommended as this may damage your machine.

## Looking for blockages

- Your machine is fitted with an automatic cut-out. If any part becomes blocked, the machine may automatically cut out.
- The motor will pulse and the LCD screen will indicate that there is a blockage.
- Leave to cool down before looking for blockages.
- Be careful not to pull the power trigger while looking for blockages.
- Make sure any blockages are clear and all parts are refitted before using your machine.
- Beware of sharp objects when checking for blockages.
- Clearing blockages is not covered by your guarantee.
- To check for blockages in the main body of your machine, remove the clear bin following the instructions in the 'Emptying your clear bin' section and remove any blockage.
- If you can't clear an obstruction from the cleaner head, you may need to remove the brush bar. Use a coin to unlock the fastener, slide the brush bar out of the cleaner head and remove the obstruction. Replace the brush bar and securely tighten the fastener. Make sure it is fixed firmly before using your machine.
- Your machine has carbon fibre brushes. Take care if coming into contact with them, as they may cause minor skin irritation. Wash your hands after handling the brushes.

## Washing your filter unit

To always get the best performance from your machine, it is important to regularly clean the filters and check for blockages.

The LCD display will alert you when the filter unit needs washing. We recommend that you wash your filter at least once a month or when your machine alerts you.

- Remove the filter unit by twisting it anti clockwise. Gently pull away from the machine.
- Tap the filter unit gently, to remove any excess dust and debris before washing it.
- Wash the filter unit in cold water only.
- Wash the pleated paper element of the filter unit first; hold the filter unit under a cold water tap with the foam element downwards and run cold water over the pleated paper.
- Wash the foam element of the filter unit next; hold the filter unit under a cold water tap with the foam element downwards so that dirty water does not contaminate the pleated paper element. Run cold water over the inside and outside of the foam element and squeeze the foam gently to expel the dirt.
- Repeat washing both parts of the filter unit until the water runs clear.
- Gently shake the filter unit to remove any excess water and leave to drain with the foam element end facing up.
- Leave the filter unit to dry completely in a dry environment with good airflow, for a minimum of 24 hours.
- Check that the filter unit is completely dry.
- To refit, position the filter unit in place on the main body and twist clockwise until it clicks into place.

The filter unit may require more frequent washing if vacuuming fine dust or if use is mainly in Boost mode.

Don't put any part of your machine in a dishwasher, washing machine, tumble dryer, oven, microwave or near a naked flame.

## Looking after your Soft roller cleaner head

- Turn the cleaner head upside down. Use a coin to turn the end cap a quarter anticlockwise until it clicks into the unlocked position.
- Rotate the end cap to the open position. Gently slide the main brush bar out of the cleaner head.
- Remove the end cap from the main brush bar.
- Do not wash the end cap.
- Lift the small brush bar out of the cleaner head.
- Hold the brush bars under running water and gently rub to remove any lint or dirt.
- Stand the brush bars upright as shown. Leave to dry completely for a minimum of 24 hours.
- Before replacing, check that the brush bars are completely dry.
- Put the small brush bar back into position making sure it clicks into place.
- Reattach the end cap to the main brush bar.
- Slide the main brush bar into the cleaner head. Rotate the end cap to the closed position.
- Close the fastener by turning it a quarter clockwise. Check that the fastener and brush bars are all securely in place.

## Charging and storing

- This machine will switch off if the battery temperature is below 10°C (50°F). This is designed to protect the motor and battery. Do not charge the machine and then move it to an area with a temperature below 10°C (50°F) for storage purposes.
- To help prolong battery life, avoid recharging immediately after a full discharge. Allow to cool for a few minutes.
- Avoid using the machine with the battery flush to a surface. This will help it run cooler and prolong battery run time and life.

## Battery safety instructions

- If the battery needs replacing, please contact the Dyson Helpline.
- Use only the Dyson charger Part Number 217160 or 270576 for charging this Dyson machine.
- Use only the Dyson battery Part Number 355983 for this Dyson machine. Other types of batteries may explode, resulting in fire and causing injury to persons and damage.

## CAUTION

The battery used in this machine may present a risk of fire or chemical burn if mistreated. Do not short contacts, heat above 60°C (140°F), or incinerate. Keep away from children. Do not disassemble and do not dispose of in fire.

## Disposal information

- Dyson products are made from high grade recyclable materials. Recycle where possible.
- The battery should be removed from the machine before disposal.
- Dispose of or recycle the battery in accordance with local ordinances or regulations.
- Dispose of the exhausted filter unit in accordance with local ordinances or regulations.

## Dyson customer care

Thank you for choosing to buy a Dyson machine

After registering your two-year guarantee, your Dyson machine will be covered for parts and labour (excluding filters) for two years from the date of purchase, subject to the terms of the guarantee. However, indispensable legal rights of the final consumer under applicable national legislation governing the sale of consumer goods are not affected by the terms of the guarantee. If you have any queries regarding your Dyson machine, visit [www.dyson.com/](http://www.dyson.com/) support for online help, general tips and useful information about Dyson.

Alternatively, you can call the Dyson Helpline with your serial number and details of where and when you bought the machine.

If your Dyson machine needs a repair, call the Dyson Helpline so we can discuss the available options. If your Dyson machine is under guarantee, and the repair is covered, it will be repaired at no cost.

## Limited 2-year guarantee

Terms and conditions of the Dyson 2-year limited guarantee

## What is covered

- The repair or replacement of your Dyson machine (at Dyson's discretion) if it is found to be defective due to faulty materials, workmanship or function within two years of purchase or delivery (if any part is no longer available or out of manufacture, Dyson will replace it with a functional replacement part).
- This guarantee will only be valid if the machine is used in the country in which it was sold.

**What is not covered**

Dyson does not guarantee the repair or replacement of a machine where a defect is the result of:

- Accidental damage, faults caused by negligent use or care, misuse, neglect, careless operation or handling of the machine which is not in accordance with the Dyson User manual.
- Use of the machine for anything other than normal domestic household purposes.
- Use of parts not assembled or installed in accordance with the instructions of Dyson.
- Use of parts and accessories which are not genuine Dyson components.
- Faulty installation (except where installed by Dyson).
- Repairs or alterations carried out by parties other than Dyson or its authorised agents.
- Blockages – refer to the Dyson User manual for details on how to look for and clear blockages.
- Normal wear and tear (e.g. fuse, brush bar etc.).
- Use of the machine on rubble, ash, plaster.
- Reduction in battery discharge time due to battery age or use (where applicable).

If you are in any doubt as to what is covered by your guarantee, please contact Dyson.

**Summary of cover**

- The guarantee becomes effective from the date of purchase (or the date of delivery if this is later).
- You must provide proof of (both the original and any subsequent) purchase/delivery before any work can be carried out on your Dyson machine. Without this proof, any work carried out will be chargeable. Keep your receipt or delivery note.
- All work will be carried out by Dyson or its authorised agents.
- Any parts which are replaced by Dyson will become the property of Dyson.
- The repair or replacement of your Dyson machine under guarantee will not extend the period of guarantee.
- The guarantee provides benefits which are additional to and do not affect your statutory rights as a consumer.

**Important data protection information**

When registering your Dyson machine:

- You will need to provide us with basic contact information to register your machine and enable us to support your guarantee.
- When you register, you will have the opportunity to choose whether you would like to receive communications from us. If you opt-in to communications from Dyson, we will send you details of special offers and news of our latest innovations.
- We never sell your information to third parties and only use information that you share with us as defined by our privacy policies which are available on our website at [privacy.dyson.com](http://privacy.dyson.com).

## 感谢您选购戴森无绳吸尘器

### 激活您的保修

从购买机器之日起，我们持续为您提供服务和帮助。

激活 2 年免费保修后，您的戴森无绳吸尘器自购买之日起将享受 2 年的零件和人工保修服务（滤网除外），但须符合保修条款的规定。

保修到期后，我们仍将为您提供帮助。

- 免费戴森零件和人工保修
- 无忧维修服务
- 专业咨询，每周在线 7 天。
- “使用指南”视频和实用贴士

在您的铭牌上可以找到序列号，铭牌位于产品的主机底部。  
请记录您的产品序列号，以备日后查用。



本图仅供示例之用。



我们如何为您提供帮助？

解决问题

获取贴士和指南

了解戴森技术和其他戴森产品

在线方式：

[www.dyson.cn](http://www.dyson.cn)

电话：

4009 217 101

戴森客户关怀

关于戴森产品，如果您有任何问题，请拨打戴森客户关怀热线，将产品序列号和购买产品的详细时间和地点信息提供给我们，或通过戴森官网与我们联系。

## 重要安全说明

在使用本产品之前，请阅读本手册中和产品上的所有说明及警告提示。

使用电器时，应当始终遵守基本预防措施，包括以下内容：

### 警告

这些警告适用于本产品、所有吸头和附件，以及电池充电器。

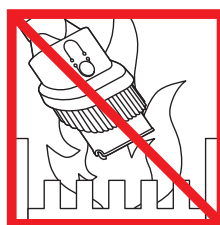
为降低火灾、触电及受伤的危险，请注意以下事项：

1. 本产品不适合于身体、感觉或智力残障人士（包括儿童）以及缺乏相关经验和知识的人员使用，除非得到负责其安全的人员监护或指导。
2. 请勿将本产品当作玩具使用。由儿童使用或接近儿童时尤其需要密切注意。请照看好儿童，确保他们不会把本产品当玩具玩。
3. 仅按本戴森用户手册中所述的方式使用。在本手册所示或戴森帮助热线人员建议之外，切勿执行任何维护。
4. 仅适合在干燥环境下使用。请勿在室外或潮湿表面上使用。
5. 请勿以湿手触摸充电器或产品的任何部分。
6. 如果电源线或插头损坏，请勿使用。一旦充电器电源线损坏，必须由戴森公司、戴森服务代理商或具有相关资质的人员来进行更换，以避免危害。
7. 如果产品未按其设计的方式运行、受到严重冲击、从高处掉落、被损坏、被放在室外或落入水中，请勿使用并请联系戴森帮助热线。
8. 需要维护或修理时请联系戴森客户关怀热线。请勿拆卸产品，不当重新组装可能引起触电或火灾。
9. 不可拉扯或重压电源线。请保持电源线远离加热的表面。请勿将电源线置于关闭的门缝中或将其从锋利的边缘或角落处拉过。请将电源线远离走动区域和容易被绊倒的地方。请勿将本机器压着电源线工作。
10. 请勿使用产品吸水。
11. 请勿使用本吸尘器吸取汽油等可燃或可爆炸液体，或在这些液体或其蒸汽可能存在的地方使用本机器。
12. 请勿使用本吸尘器去吸取正在燃烧或冒烟的物体，如烟头、火柴或热灰。
13. 请让产品气流通道和活动部分（如刷条）远离毛发、宽松服装、手指及身体其他部分。请勿将吸尘杆、延长管或吸头对着眼睛、耳朵，或将其放入口中。

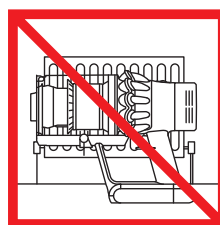
14. 请勿将任何东西插入产品缝隙。请勿在任何气流通道封住的情况下使用；请清除任何灰尘、棉絮、毛发或任何会阻碍气流的物体。
15. 仅使用戴森建议的附件和替换件。
16. 透明集尘筒和滤网未安装到位前请勿使用。
17. 在维修和保养之前，请断开电源或拔下插头。
18. 使用产品清洁楼梯时请特别注意。
19. 为防止因疏忽而误启动，请在准备好开始清洁之前，小心保持双手和手指远离开机按钮，在提起或搬运本产品时尤其如此。搬运本产品时，手指处在开机按钮上容易引发事故。
20. 请勿在户外、浴室或游泳池 3 米 (10 英尺) 范围内对本产品进行安装、充电或使用。请勿在潮湿表面上使用，也不要暴露在潮湿、雨淋或下雪的环境中。
21. 拆卸或更换电动刷条时，在吸头重新组装好之前，小心不要按到开机按钮。
22. 如果电池组或机器损坏或改装过，则请勿使用。损坏或改装过的电池有可能出现不可预知情况，从而导致火灾、爆炸或受伤危险。请勿将电池组或机器暴露于明火或过高温度。暴露于明火或 140° F (60° C) 以上的温度可能导致爆炸。
23. 只能使用零件编号为 217160 或 270576 的戴森充电器为本产品充电。该戴森产品只能使用零件编号为 355983 的戴森电池。其他类型的电池可能发生爆炸，导致火灾以及人身伤害和产品损坏。
24. 在清洁、维护或长时间储存本产品之前，请断开电池与本产品的连接。
25. 当不使用电池组时，要保持电池组远离其他金属物体，比如曲别针、硬币、钥匙、钉子、螺钉或其他小金属物体，否则会导致两极连接。电池两极短接在一起可能会导致人员灼伤或火灾。
26. 电池组取下后，请遵循当地的条例或法规安全弃置电池。
27. 电池组是密封装置，在正常环境中不会产生安全问题。万一电池组漏液，请勿触摸液体（可导致刺激或烧伤），并遵守以下注意事项：
  - 皮肤接触：可能造成刺激。用肥皂和水清洗。
  - 吸入：可能引起呼吸道刺激。呼吸新鲜空气，并及时就医。
  - 眼睛接触：可能造成刺激。立即用水彻底冲洗眼睛至少 15 分钟。及时就医。
  - 弃置：请戴上手套以处理电池组，并遵循当地条例与法规弃置它。
28. 请遵照所有充电说明操作，并参阅更换电池部分，了解更换电池方法。切勿在说明规定的温度范围之外给电池组或本机器充电。充电不当或超出指定的温度范围会损坏电池并增大火灾风险。为确保最大化电池寿命，戴森建议：
  - 不使用本产品时，应将其存放在室温环境下。建议范围：18° C (64° F) - 28° C (82° F)。
  - 操作和充电的环境温度范围应为 10° C (50° F) - 30° C (86° F)。
29. 火灾危险警告 - 请勿将本产品放置在炉灶或任何其他高温表面之上或附近，即使本产品严重受损，也不要将其焚化。电池可能会着火或爆炸。
30. 火灾危险警告 - 请勿将任何香味产品涂抹到本产品的滤网上。已知此类产品中的化学物质具有易燃性，会导致产品着火。

## 请阅读并妥善保管说明手册

本戴森产品设计仅限居家用途。



请勿在明火附近使用。



请勿在热源附近存放或充电。



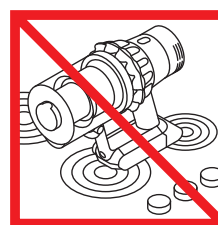
请勿吸水或任何液体。



请勿吸取正在燃烧的物体。

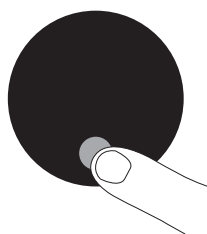


吸尘器工作时，请勿把手伸到刷条附近。



请勿放置在炉灶之上或附近。

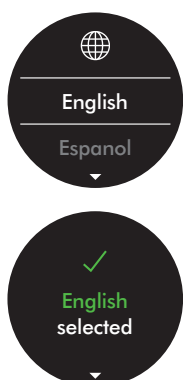
# 屏幕



## 设置菜单

您可以使用“选择”按钮来调整机器的设置。  
要进入设置菜单，请按住按钮直至显示菜单。轻点以滚动浏览可用选项。

## 设置语言



要使用机器之前，需要设置首选语言选项。

不设置语言也可以继续使用机器，但每次释放触发器时都会提示您。

要设置语言，请轻点“选择”按钮以激活屏幕。

轻点按钮滚动选择语言。长按按钮直至倒计时结束选中该语言。

要取消选择，请在倒计时期间松开按钮。

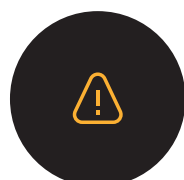
滚动到对号，按住以确认您的选择。

您可以通过从语言列表中选择“更多+”来访问可用语言的完整列表。

## 语言选择

请按照“语言设置”中的步骤更改语言。

## 更改提醒设置



轻点以滚动浏览设置菜单。选择“提醒”菜单选项。

滚动以选择“打开”或“关闭”。按住“选择”按钮直至倒计时结束，屏幕上会显示一个标记。

## 退出设置菜单

要退出设置菜单，请轻点以滚动浏览设置菜单。选择“退出菜单”。

## 电池电量低



当需要给电池充电时，机器会闪烁三次，屏幕上会出现电池电量低图标，以提醒您。

电池电量耗尽时，屏幕上将显示最终警告图标。

## 电池健康状态



使用 Eco 或 Auto/Med 模式可以在最大程度上提高电池性能和工作时间。

## 提醒

当需要您注意时，屏幕将显示以下提示信息。

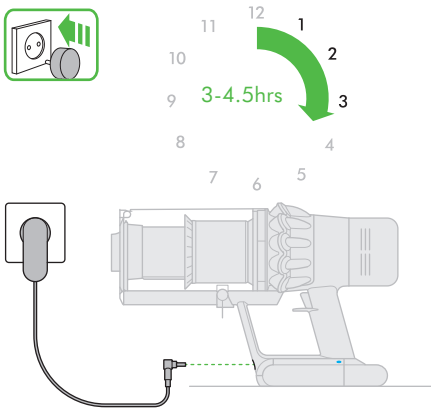
滤网图标将提醒您滤网未正确安装或需要清洁。

阻塞物图标将提醒您需要从机器中清除阻塞物。

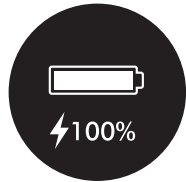


# 吸尘器充电和存放

首次开机前和每次使用后请先充满电，以便获得更佳清洁体验。这是因为电池和监测系统通过算法计算运行时间，为机器充满电有助于剩余运行时间的显示更接近实际使用状态。



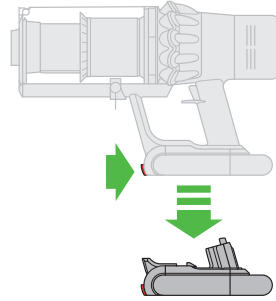
直接连接充电器或通过充电挂架连接。充电期间，蓝色 LED（电池两侧各一个）将闪烁。电池充好后，两个 LED 亮起 5 秒，然后熄灭。



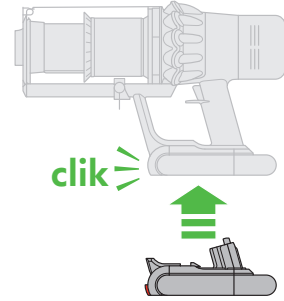
显示屏显示电池电量为 100% 时，电池充好。电量已耗尽，需要充电。如果环境温度低于 0°C (32°F)，吸尘器将无法运行。该设计旨在保护马达和电池。

# 更换电池

为了保持两块电池性能一致，我们建议您交替使用。

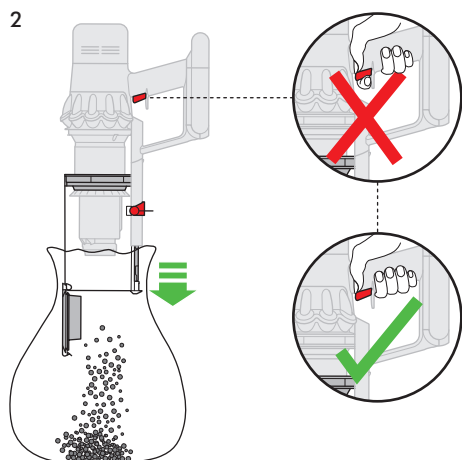
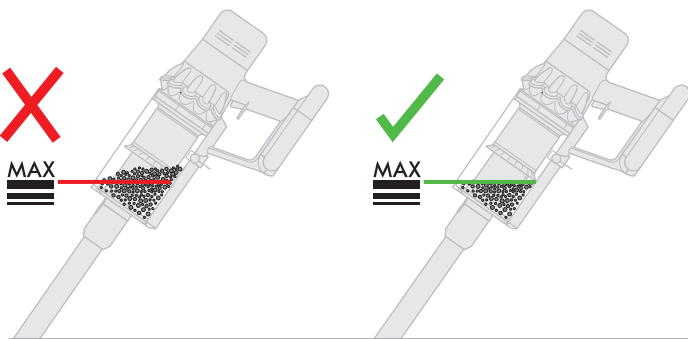
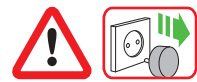


**取出电池**  
把手放在电池下面，托住电池。按下电池释放按钮，然后将电池从手柄上滑下。为电池充电。

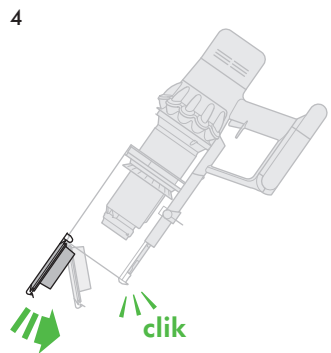
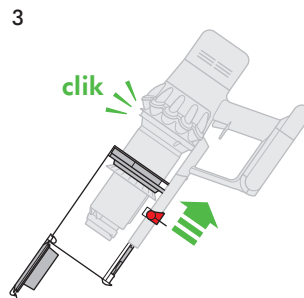


**安装电池**  
将电池滑到手柄上，直到发出咔嚓声，并牢固卡入到位。

# 清空透明集尘筒

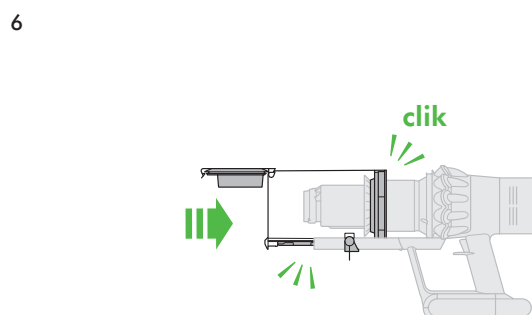
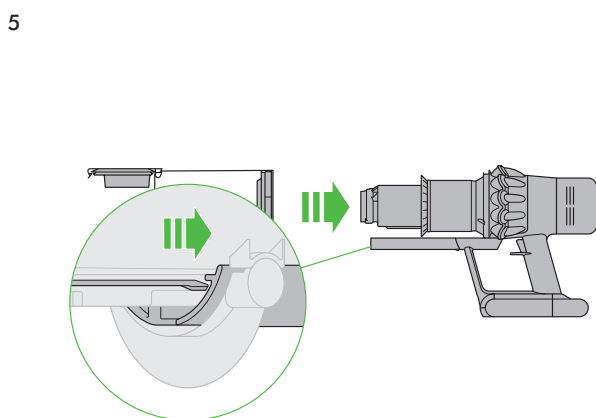
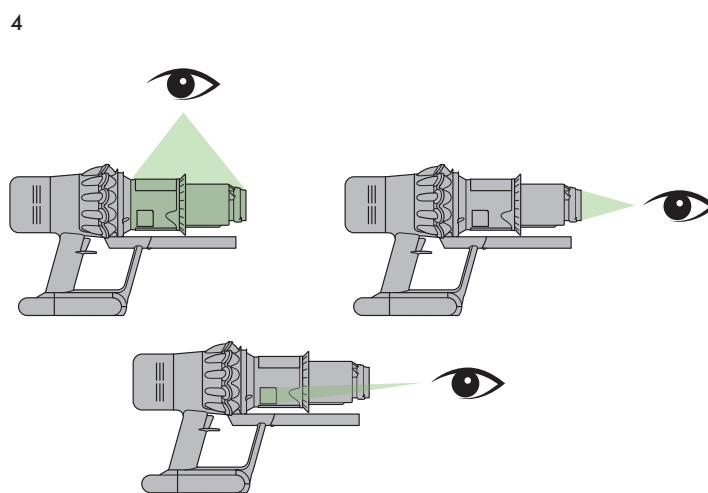
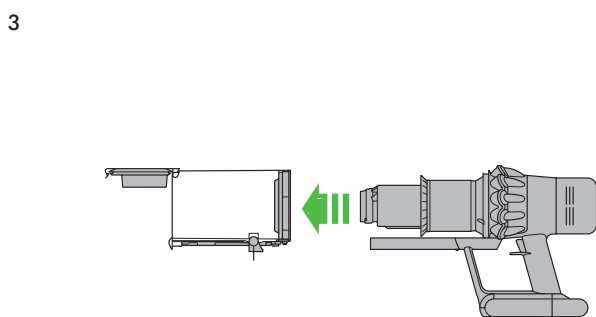
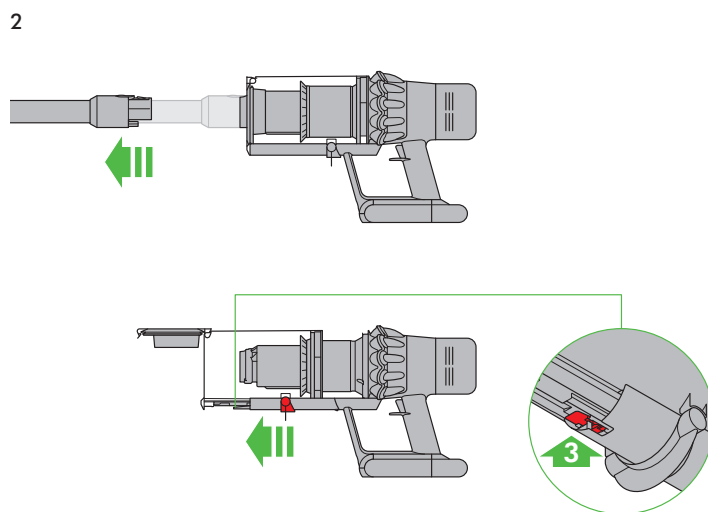
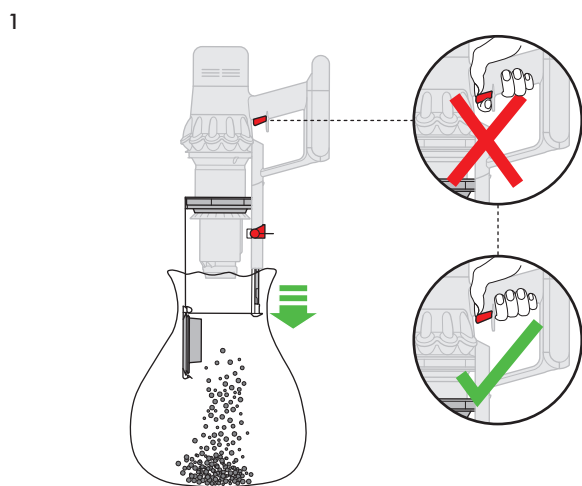
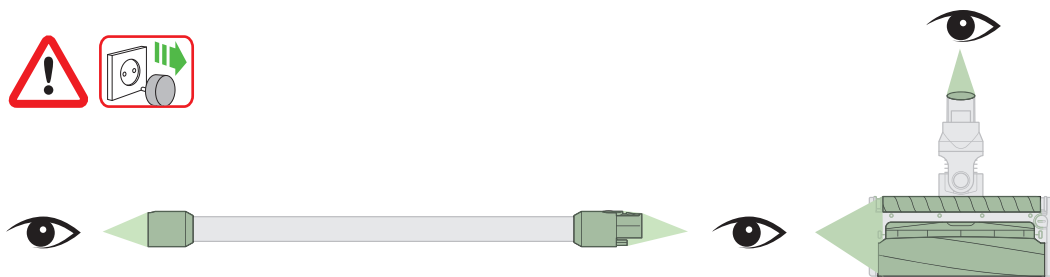
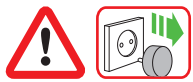


当打开集尘筒进行清空时，请勿触发开关。



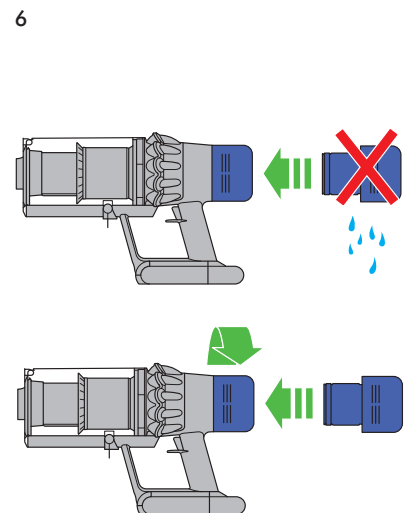
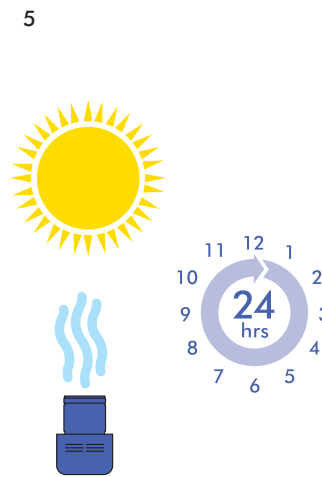
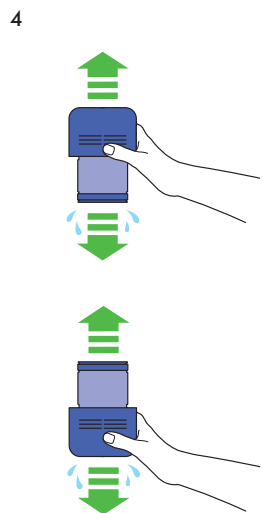
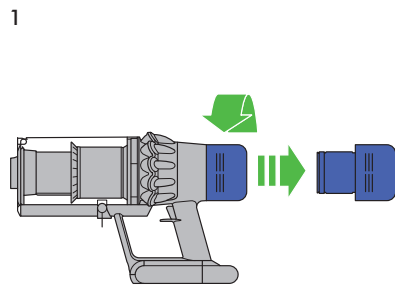
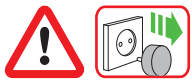
向上推动集尘筒底座关闭透明集尘筒，直至透明集尘筒和集尘筒底座卡扣到位。

# 查找阻塞物

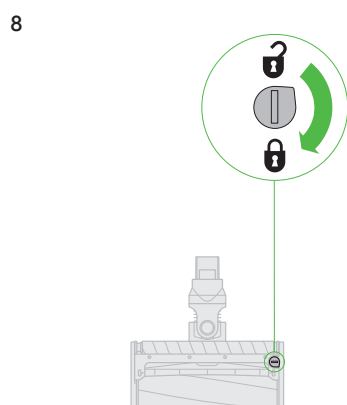
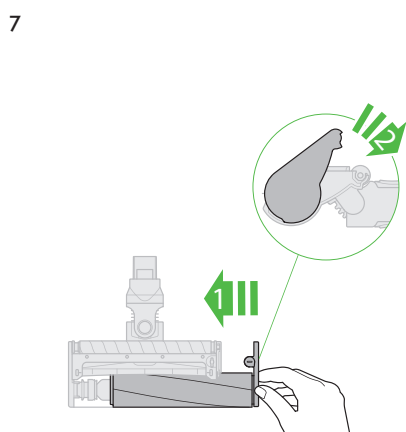
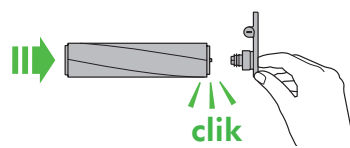
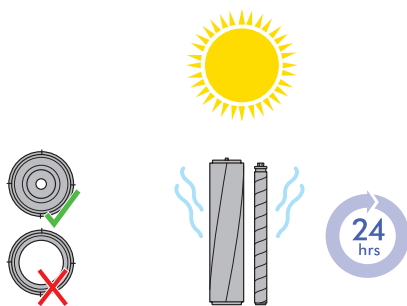
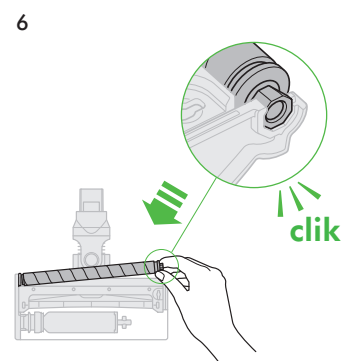
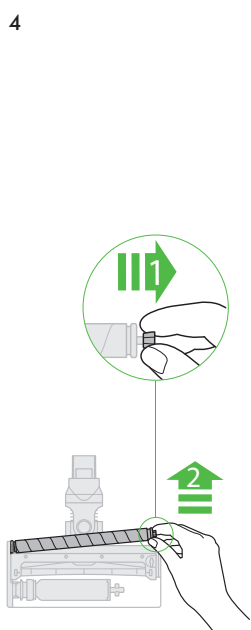
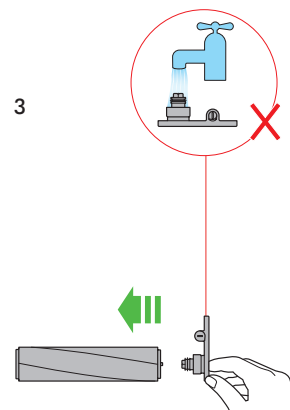
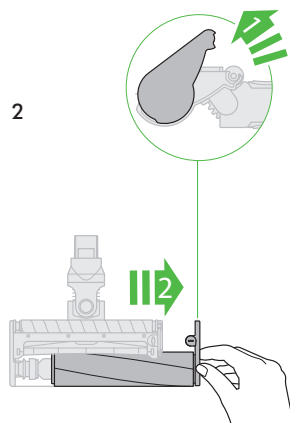
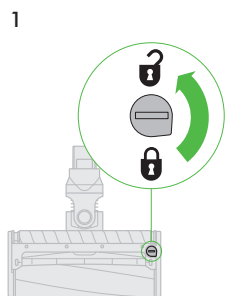


向上推动集尘筒底座关闭透明集尘筒，直至透明集尘筒和集尘筒底座卡扣到位。

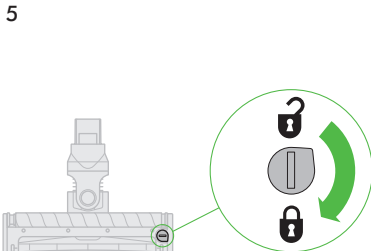
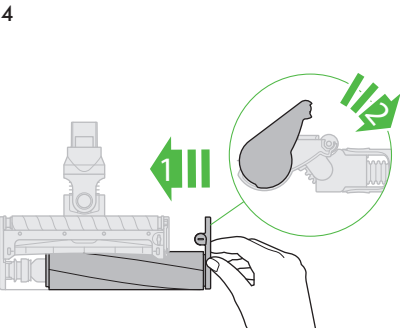
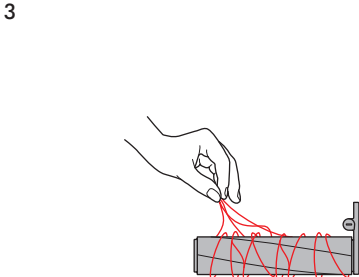
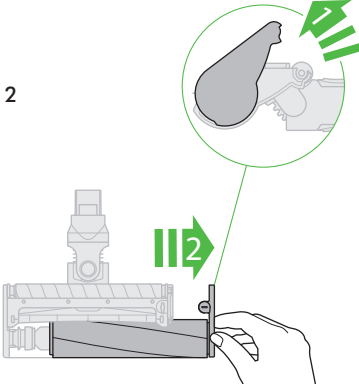
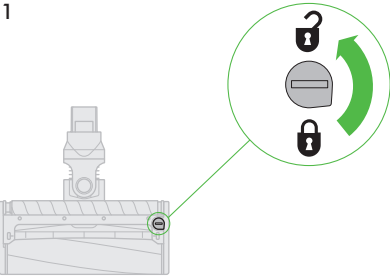
# 清洁滤网



# 软绒滚筒吸头维护 - 清洗刷条



# 软绒滚筒吸头维护 - 清除阻塞物



# 其他信息

或明火附近进行烘干。

查看您的软绒滚筒吸头

- 将吸头下部正对自己。用硬币将扣件逆时针旋转四分之一圈，直到卡入解锁位置。
- 将端盖旋转到打开位置。轻轻地为主刷条从吸头滑出。
- 从主刷条上取下端盖。
- 请勿清洗端盖。
- 将后置刷条提出吸尘器。
- 将刷条置于流水下，轻轻揉搓以清除所有棉绒或灰尘。
- 将两个刷条竖直摆放。确保大刷条按图示竖直摆放。放置至少 24 小时以便彻底晾干。
- 装回前，确定刷条已完全晾干。
- 将后置刷条放回原位，确保它卡扣到位。
- 重新将端盖安装到主刷条上。
- 将主刷条滑回吸头上，固定在马达周围。端盖应位于图中所示的打开位置。安装到位后，旋转端盖至关闭位置。
- 将紧固件顺时针旋转四分之一圈，使其闭合。确定紧固件旋转到位，底座和刷条已固定。

充电和存放

- 如果电池温度低于 10° C (50° F)，机器将会关闭。这样的设计是为了保护马达和电池。请勿在本产品充电后将其移到温度低于 10° C (50° F) 的地方存放。
- 为帮助延长电池寿命，避免在完全放电后立即充电。让产品冷却几分钟。
- 避免在电池表面发热时使用本产品。这样做有助于它在低温运行，且可延长电池的工作时间和使用寿命。

电池安全说明

- 如果需要更换电池，请仅使用戴森电池（零件编号 355983）。
- 只能使用零件号为 217160 或 270576 的戴森充电器为该戴森机器充电。
- 禁止使用不可充电电池。



注意事项

本设备中使用的电池如果处理不当可能会存在火灾或化学烧伤风险。请勿拆解、短接、加热至 60° C (140° F) 以上、或焚烧。远离儿童放置。请勿拆卸，也请勿投入火中。

处置信息

- 戴森产品使用高级别可回收材料制成。请尽可能进行循环利用。
- 在废弃器具前，必须将电池从器具中取出；在取出电池时，器具必须要断电；电池应安全地处置。
- 处置电池或者再循环利用电池时，需遵循当地的法令或规章。
- 请依照当地的法令或规章弃置寿命耗尽的滤网装置。

戴森客户服务

感谢您选择购买戴森产品。

登记获取 2 年保修后，您的戴森产品自购买之日起将享受 2 年的产品保修（含零件及人工，滤网除外），但须符合保修条款的规定。但是，最终消费者根据有关产品销售所适用的国家法规享有不可撤销的合法权利，此类权利不受保修条款规定的影响。关于戴森产品，如果您有任何问题，请访问 [www.dyson.cn/support](http://www.dyson.cn/support) 以获取有关戴森产品的在线帮助、一般信息提示和其他有用的信息。

或者，请拨打戴森客户服务热线，提供给我们产品序列号和购买产品的详细时间和地点。在您的铭牌上可以找到序列号，铭牌位于产品的主机底部。如果您的戴森产品需要维修，请拨打戴森服务热线，与我们讨论适用的维修方式。如果您的戴森产品尚在保修期内且保修包含所需维修服务，则我们将免费为您维修。

2 年有限保修

戴森 2 年有限保修的条款与条件。

保修范围

- 除非法律另有规定，如果在购买或交付的 2 年内发现戴森产品存在材料、制造或功能缺陷，将为您维修或更换（由戴森决定）戴森产品（如果任何部件不可获取或不再制造，戴森将为您更换功能相当的替换部件）。
- 本保修仅当产品在售出回使用时方有效力。

不保修范围

戴森不保证以下原因导致的产品修理或更换：

- 由于使用时不小心、误用、疏忽、粗鲁操作或不按照戴森用户手册操作所造成的意外损坏和故障。
  - 将产品用于任何正常居家使用之外的目的。
  - 使用的零件未按戴森指导说明进行组装或安装。
  - 使用非戴森原厂的零件和附件。
  - 错误安装（戴森安装的除外）。
  - 非戴森或其授权代理所执行的维修或改动。
  - 阻塞物 - 有关如何检查并清除阻塞物的详细信息，请参阅戴森操作手册。
  - 正常磨损（例如，保险丝、刷条等）。
  - 将本产品用于碎石、灰末或灰泥。
  - 由于电池老化或使用而导致电池放电时间缩短（仅无绳产品）。
- 如果您对保修范围有任何疑问，请致电戴森服务热线。

保修范围概要

- 保修自购买（或交付，若交付时间略晚于购买时间）之日起生效。
- 在您的戴森产品接受任何处理前，您必须提供（初次及任何后续）交货/购买的证明材料。若无此证明材料，任何处理都会收费。请妥善保管您的收据或提货单。
- 所有工作都将由戴森或其授权代理商完成。
- 任何更换的部件将归戴森所有。

重要资料保护信息

注册戴森产品时：

- 您需要向我们提供基本联系信息，方可注册您的产品，使我们能支持您的保修。
- 注册时，您可以选择是否从我们这里接收通讯。如果您同意接收戴森的通讯，我们将向您发送特别优惠详情和最新发明及创新产品方面的新闻。
- 我们决不会将您的信息透露给第三方，只会按我们隐私政策的规定使用您与我们分享的信息，政策内容可在我们网站上找到：[privacy.dyson.com](http://privacy.dyson.com)。

在继续之前，请阅读本戴森操作手册中的“重要安全说明”。

充电插座安装

- 拆开扩充底座、充电器和安装说明书包装。
- 选择充电插座的位置，并确保在安装位置背后没有裸露的管道（煤气、水或空气管道）、电线或通风管道。
- 按照安装说明书上的说明操作。
- 将附件安装到位。
- 将设备放置在充电插座上。
- 第一次使用前，产品需要充满电。将充电器插入主电源。打开电源（必要时）给电池充电。充电插座必须依照规定和适用的法规/标准（国家和当地法律可能适用）进行安装。首次开机前和每次使用后请先充满电，以便获得更佳清洁体验。

使用吸尘器

• 检查吸头或配件的下方是否洁净，并且没有可能导致损害的异物。在清洁地板或地毯前，请先确认制造商建议的清洁指南。本产品上的刷条可能会损坏某些地毯和地板。在使用本产品进行清洁时，旋转的刷条可能会使某些地毯起毛，如果发生了这种情况，我们建议在吸尘时不要使用电动地板吸头，并咨询您的地毯制造商。

清空透明集尘筒

- 一旦灰尘达到 MAX（最大）标记，请尽快清空 - 请勿超装。当灰尘超过 MAX（最大）标记时，使用吸尘器可能会导致灰尘到达滤网，需要更加频繁地进行维护。
  - 当打开集尘筒进行清空时，请勿触发开关。
  - 通过按下红色释放按钮将吸尘杆拆下，并从集尘筒中拉出。
  - 清空灰尘：
    - 握住设备，集尘筒处于向下位置。
    - 用力按下红色的集尘筒释放按钮。
    - 集尘筒将滑下，同时清洁网罩。
    - 集尘筒底部随之打开。
    - 如果红色按钮没有完全推下，则集尘筒底部不会打开。
- 为了尽量减少清空时扬起的灰尘，请将集尘筒装入防尘袋中并小心清空。小心地从塑料袋中移开集尘筒。将塑料袋封紧，进行常规处理。当打开集尘筒进行清空时，请勿触发开关。
- 若要关闭透明集尘筒：
    - 向上推动透明集尘筒和集尘筒底座卡扣到位。

清洁透明集尘筒（可选）

- 如果需要，可清洁透明集尘筒：
- 按下位于集尘筒导槽上的红色按钮，将集尘筒释放，并将集尘筒滑出导槽。
  - 只能使用湿布清洁透明集尘筒。
  - 在进行更换之前，确保透明集尘筒和密封件完全干燥。
  - 重新安装透明集尘筒：
    - 将支柱插入集尘筒导槽
    - 向上推动集尘筒底部关闭透明集尘筒，直至透明集尘筒和集尘筒底部卡扣到位。
- 在清洁透明集尘筒时，建议不要使用洗碗机，也不要使用清洁剂、抛光剂和空气清新剂，这些可能会损坏设备。

查找阻塞物

- 本产品带有自动断电装置。如果任何部分出现阻塞，产品可能会自动断电。
- 如果有阻塞物，电动机产生脉冲，LCD 屏幕会发出提示。
- 将产品冷却下来再查找阻塞物。
- 寻找堵塞物期间，小心不要触发开关。
- 在重新启动之前先清除所有阻塞。
- 清除阻塞物时请小心锋利物体。
- 清除阻塞不包括在您的保修范围内。
- 若要检查机器主机的阻塞物，请按照“清理透明集尘筒”部分中的说明卸下透明集尘筒，再清理任何阻塞物。
- 如果无法清除吸头阻塞物，您可能需要取下刷条。用硬币将扣件松开，将刷条从吸头滑下，然后清除阻塞物。将刷条放回原位，拧紧扣件以固定刷条。在使用机器之前，请确保已固定到位。
- 本产品含有碳纤维毛刷。如果接触到碳纤维刷要小心，因为它们可能会造成轻微的皮肤刺激。接触刷条后请洗手。

清洗滤网装置

为了使机器始终发挥最佳性能，定期清洗滤网并检查是否阻塞很重要。当需要清洗滤网单元时，LCD 显示屏会提醒。我们建议每月至少清洗一次滤网或在机器发出提醒时清洗。

- 逆时针转动滤网装置将其拆下。轻轻从设备上将其拉下。
- 清洗之前，先轻轻敲击滤网装置以清除过多的灰尘和碎屑。
- 只能使用冷水清洗滤网装置。
- 首先清洗滤网装置的折叠纸滤芯：握住滤网装置放在冷水龙头下方，泡棉滤芯朝下，让冷水流过折叠滤芯。
- 然后清洗滤网装置的泡棉滤芯：握住滤网装置放在冷水龙头下方，泡棉滤芯朝下，脏水不会污染折叠纸滤芯。让冷水流过泡棉滤芯的内侧和外侧，并轻轻挤压泡棉排出污物。
- 反复清洗滤网装置滤芯和外侧，直至水变清。
- 轻轻摇晃滤网装置以去除过多的水，然后让泡棉滤芯端朝上以排空水。
- 在通风良好的干燥环境中放置滤网装置至少 24 小时，以便彻底晾干。
- 检查滤网装置是否完全干燥。
- 要重新安装滤网装置，请将其装回主机并顺时针旋转，直到卡入到位。

如果使用吸尘器打扫细微粉尘或主要使用加强模式，滤网装置可能需要更加频繁的清洗。请勿将本产品的任何部件放入洗碗机、洗衣机中进行清洗或放在转筒式干燥机、烤箱、微波炉

## Marking for Name & Content of Hazardous Substances or elements

### 有害物质或元素名称及含量标识

Part Name 部件名称	Hazardous Substances or elements 有害物质或元素					
	Cadmium 镉 (Cd)	Lead 铅 (Pb)	Mercury 汞 (Hg)	Hexavalent Chromium 六价铬 (Cr(VI))	Polybrominated biphenyls (PBB) 多溴联苯	Polybrominated diphenyl ethers (PBDE) 多溴二苯醚
External chassis, body 外壳, 机身	O	O	O	O	O	O
Foam materials 泡棉材料	O	O	O	O	O	O
Printed circuit board & components 印刷电路板及电子部件	O	X <sup>(1)</sup>	O	O	O	O
Motor Assembly 电机组件	O	X <sup>(1)</sup>	O	O	O	O
Battery Assembly 电池组件	O	X <sup>(1)</sup>	O	O	O	O
Battery Charger 电池充电器	O	X <sup>(1)</sup>	O	O	O	O

The table is compiled in accordance to SJ/T 11364 standard  
本表格依据 SJ/T 11364 的规定编制



O: Indicate that this hazardous substance contained in all of the homogeneous materials for this part is within the limit requirement in GB/T 26572

O: 表示该有害物质在该部件所有均质材料中的含量均在GB/T 26572规定的限量要求以下

X: Indicate that this hazardous substance contained in at least one of the homogeneous materials used for this part exceed the limit requirement in GB/T26572

X: 表示该有害物质至少在该部件的某一均质材料中的含量超出GB/T 26572定的限量要求

(1) Hazardous substance contained is exempted under EU RoHS directives exemption list (2011/65/EU).

(1) 部件材质中有害物质含量符合欧盟RoHS指令豁免项目的限值(2011/65/EU)。

#### Disclaimer:

The environment safe use period is declared based on the normal temperature & humidity used conditions.

声明:

环保使用期限的参考标识取决于产品正常工作的温度和湿度等条件。

# TC

## 感謝您選購戴森無線手持吸塵器

### 啟用您的保固

您擁有我們的產品後，我們並未停止關心。在啟用 2 年的免費保固之後，您的戴森無線手持吸塵器享有自購買日起 2 年的零件和維修服務保固（濾網除外），但必須遵守保固條款的規定。即使您的保固期已過，我們仍竭誠為您服務。

- 免費戴森零件和維修服務
- 便捷的更換服務
- 專家級的建議。每週 7 天。
- 「用法介紹」影片和使用祕訣

在您的產品標籤上可以找到序號，產品標籤位於產品的底部。請記下您的序號以備日後參考。



本說明僅供示範之用。



我們能幫到甚麼嗎？

解決問題

獲取提示和指南

瞭解戴森技術和其他戴森機器

線上：

[www.dyson.tw](http://www.dyson.tw)

[www.dyson.hk](http://www.dyson.hk)

電話：

HK: +852 2926 2300

TW: 0800-251-209

戴森客戶服務

如果您對戴森無線手持吸塵器有任何疑問，請致電戴森服務專線，並提供您的產品序號及購買本機器的地點與時間等資訊，或是透過戴森網站聯絡我們。

## 重要安全說明

在使用本產品前，請閱讀本使用者手冊中和產品上的所有說明及警告提示。

使用電器時應嚴格遵守基本防範措施，包括下列各項：

### 警告

這些警告適用於本產品，以及需要用到的所有工具、附件、電池組、充電器或電源配接器。

為了降低火災、電擊或受傷的危險：

1. 若為行動不便、知覺或心理障礙人士、缺乏使用經驗或一定程度認識者（包括兒童），使用本產品時，建議在專人指導或監督，確保安全無虞的情況下方能使用。
2. 切勿將本產品當做玩具使用。由兒童使用或接近兒童時，尤須密切注意。應注意不要讓兒童亂玩產品。
3. 僅按本戴森使用者手冊中說明的方式使用。請勿執行任何本手冊或戴森服務專線建議以外的維修保養作業。
4. 本產品僅適合在乾燥環境下使用。請勿在室外或潮濕的表面使用。
5. 請勿使用濕手來操作充電器或本產品的任何部分。
6. 充電器或電線損壞時，請勿使用。
7. 如果產品運作不正常、受到嚴重撞擊、掉落、損壞、遺忘於室外或掉入水中，請勿使用並聯絡戴森服務專線。
8. 需要服務或修理時請聯絡戴森服務專線。請勿拆解產品，因為產品重組不當可能引起觸電或火災。
9. 請勿緊拉電線或是碾壓電線。不要將電線靠近高熱表面。關門時不要壓到電線，或是在鋒利的邊緣或角落拉動電線。電線的配置位置應該避開人們走路會經過的區域，以免經過時踏到電線或是被電線絆倒。請勿壓過電線操作吸塵器。
10. 請勿使用產品來吸水。
11. 請勿用來吸汽油等易燃性液體，或在存在易燃性液體或氣體的區域使用。
12. 請勿用吸塵器吸任何正在燃燒或冒煙的東西，例如煙蒂、火柴或未熄滅的灰燼。
13. 請將產品開口和活動部分（如滾刷條）遠離毛髮、寬鬆服裝、手指及身體其他部位。請勿將軟管、加長管或工具對著眼睛、耳朵，或將其放入口中。
14. 請勿將任何東西插入開口。請勿在任何開口封住的狀況下使用；請排除任何灰塵、棉絮、毛髮和任何會阻礙氣流的物體。

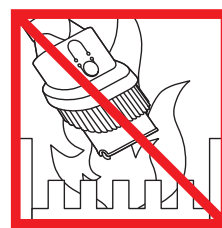


15. 僅使用戴森推薦的配件和替換件。
16. 若未安裝透明集塵筒和濾網，請勿使用。
17. 長時間不使用以及在維護或維修前，請拔除充電線。
18. 清理樓梯時，請格外小心使用。
19. 為防止意外啟動，請在您預備好要開始吸塵之前注意保持雙手與指頭遠離啟動開關，尤其在拿起或搬運本產品時。搬運本產品時指頭放在啟動開關上易引發意外。
20. 請勿於室外、浴室或水池邊 3 公尺 (10 英尺) 內安裝、充電或使用本產品。請勿於潮濕的表面使用，且勿將其曝露於潮濕、雨或雪的環境中。
21. 取下或更換電動滾刷條時，吸頭重新組裝完成前，請注意勿拉動啟動開關。
22. 請勿使用損壞或經過改裝的電池組或機器。損壞或經過改裝的電池可能表現出無可預期的行為，導致起火、爆炸或受傷之虞。倘若未能妥善處置本產品中使用的電池，有可能存在火災或化學灼傷的風險。請勿拆解電池或造成電池供電點短路。勿任由電池組或機器接觸火或過高溫度。暴露在火或超過 60°C (140°F) 的溫度之下可能會引起爆炸。
23. 僅可使用戴森充電器 (零件編號 217160 或 270576) 為本產品充電。僅可將戴森電池零件編號 355983 用於本戴森產品。其他種類的電池可能產生爆炸、並導致人員受傷。
24. 在清潔、維修或長時間閒置機器之前，請先斷開電池組與產品的連接。
25. 不使用電池組時，請使其遠離其他金屬物件，例如迴紋針、硬幣、鑰匙、釘子、螺釘或其他小金屬物件，這些金屬物件可能會導致兩極的連接。電池端子短路可能會導致灼傷或火災。
26. 電池組應從本產品中取出，並按照當地法令或法規進行安全處置。
27. 電池組是密封的裝置，而且在正常情況下不會有安全疑慮。在電池組液體流出的罕見情況下，請勿觸摸該液體以免造成刺激或灼傷，並遵循下列預防措施：
  - 接觸皮膚：可能會造成發炎。使用肥皂和清水清洗。
  - 吸入：可能會造成呼吸器官發炎。請趕快呼吸新鮮空氣並尋求醫療建議。
  - 接觸眼睛：可能會造成發炎。立即使用清水充分沖洗眼睛至少 15 分鐘。尋求醫療協助。
  - 棄置：請戴上手套以處理電池組，並遵循當地條例與法規立即丟棄它。
28. 請按照所有充電說明操作，請參閱更換電池部分，瞭解如何更換電池。請勿於指示中指定的溫度範圍之外為電池組或機器充電。充電不當或在指定溫度範圍以外充電，可使電池損壞，並提高起火風險。為確保電池達到最大壽命，戴森建議如下：
  - 本產品不使用時，應存放於室溫下。建議範圍：18°C (64°F) 至 28°C (82°F)。

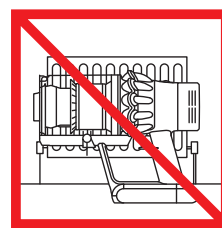
- 操作及充電的環境溫度範圍應為 10°C (50°F) 至 30°C (86°F)。
29. 火災危險警告 — 請勿將本產品放置在爐灶或任何其他高溫表面之上或附近，請勿焚燒本產品，即便已嚴重損壞。電池可能會起火或爆炸。
  30. 火災危險警告 — 請勿將任何香味產品塗覆到本產品的濾網上。已知此類產品中的化學物質具有易燃性，可導致本產品起火。

## 請仔細閱讀並妥善保管說明手冊

本戴森產品僅供居家使用。



請勿接近火源。



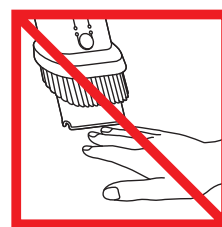
請勿靠近熱源存放或充電。



請勿吸水或任何液體。



請勿吸入燃燒的物品。

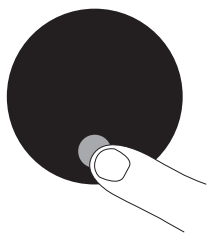


吸塵器運轉時請勿將手靠近滾刷條。



請勿放置在爐灶之上或附近。

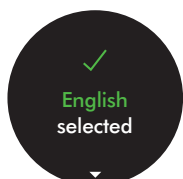
# 螢幕



## 設定功能表

可使用「選擇」按鈕控制機器上的設定。  
若要進入設定功能表，請按住按鈕，直到出現功能表畫面。按壓以捲動可用選項。

## 設定語言



使用機器前，您必須設定偏好的語言選項。

您可以在不設定語言的情況下繼續使用機器，但每次啟動開關時都會出現提示。

要設定語言，請按下選擇按鈕以啟動螢幕。

使用選擇按鈕，捲動語言清單，直到顯示您想要的語言。按住按鈕直到倒數計時結束，即可設定您的語言。

要取消選擇，請在倒數計時未結束前鬆開按鈕。

畫面上會顯示綠色記號，表示語言選擇完成。

您可以從語言清單中選擇「更多」，以檢視完整的可用語言清單。

## 語言變更

按照語言設置中的步驟更改語言。

## 變更提示設定



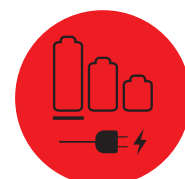
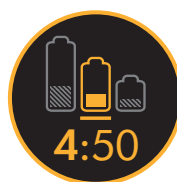
按壓以捲動選擇功能表。選擇「提示」功能表選項。

捲動以選擇開啟或關閉。按住「選擇」按鈕，直到倒數計時結束及螢幕上顯示一個鉤號為止。

## 結束設定功能表

若要結束設定功能表，請按壓以捲動設定功能表。選擇「結束功能表」。

## 低電池電量



當電池需要充電時，機器會脈衝三次，並且畫面上會顯示低電量圖示提醒您。

電池電量耗盡時，螢幕上將顯示最終警告圖示。

## 電池健全度



使用 Eco 或 Auto/Med 模式，最大限度地提高電池效能和使用壽命。

## 提示

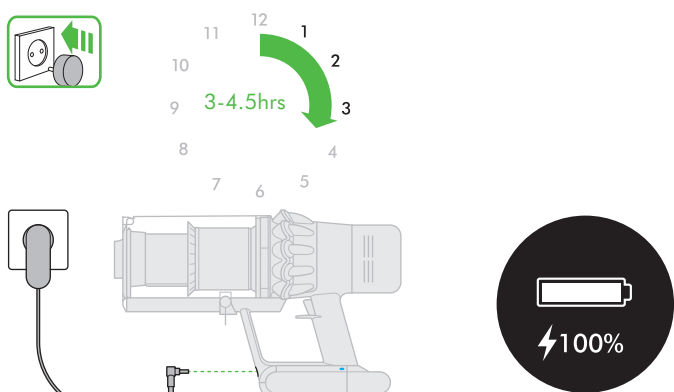
若需要您注意機器，螢幕上將顯示提示。

濾網圖示將提醒您濾網未正確安裝或需要清潔。

阻塞圖示將提醒您需要從機器中清除阻塞。

## 機器的充電和存儲

首次使用前務必充飽電，每次清洗後也要充滿電。這是因為電池和監控系統的演算法會隨著時間的推移「學習」，為機器充滿電有助於更準確地計算和顯示剩餘的使用時間。

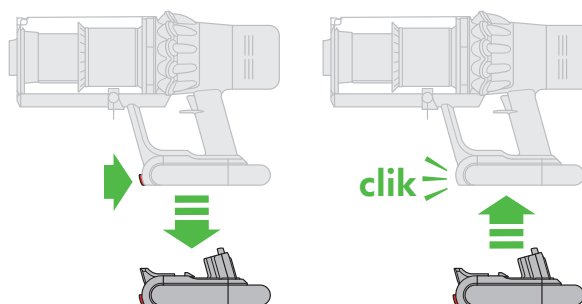


可直接連接充電器，或置入充電基座。電池兩側的藍色 LED 在充電過程中會閃爍。電池充滿電時，兩個 LED 會亮 5 秒鐘，然後熄滅。

當顯示螢幕指出電池為 100% 時，即表示電池已充飽電。  
電池無電，需要充電。  
如果環境溫度低於 0°C (34°F)，您的機器將無法運行。此設計是為了保護馬達和電池。

## 更換電池

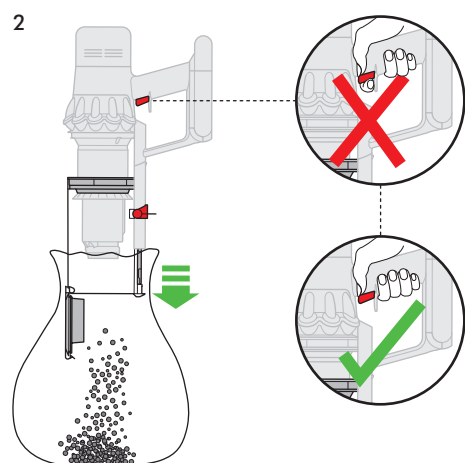
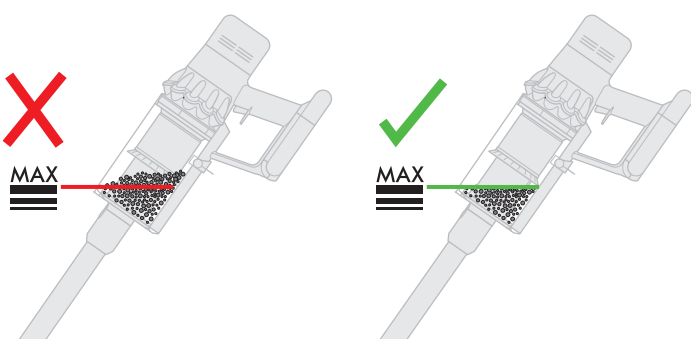
為了保持兩塊電池性能一致，我們建議你交替使用。



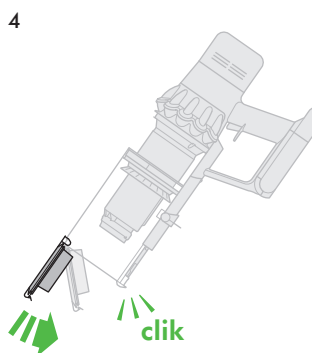
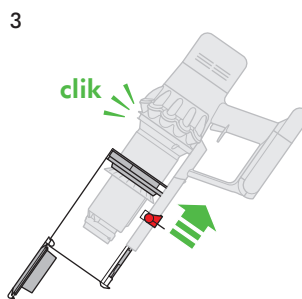
**取出電池**  
把您的手放在電池下面來支撐它。  
按下電池鬆脫按鈕，然後將電池取下。  
將電池充電。

**安裝電池**  
將電池上推，直到它安全地卡入到位。

## 清空透明集塵筒

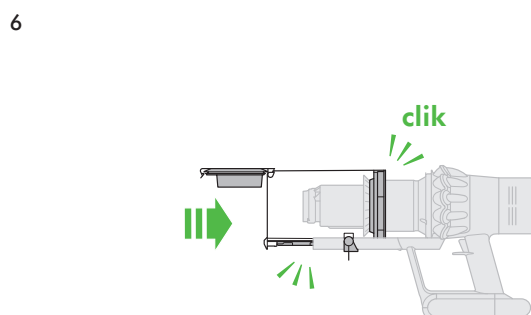
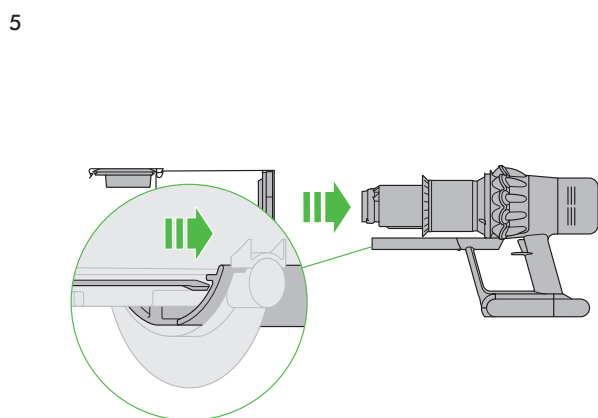
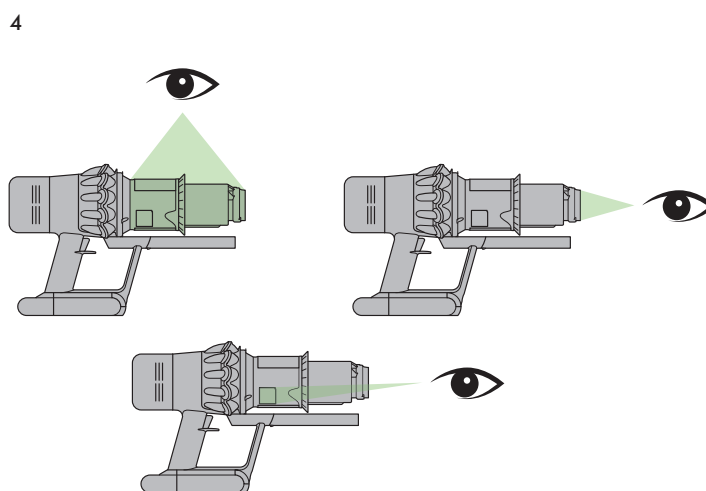
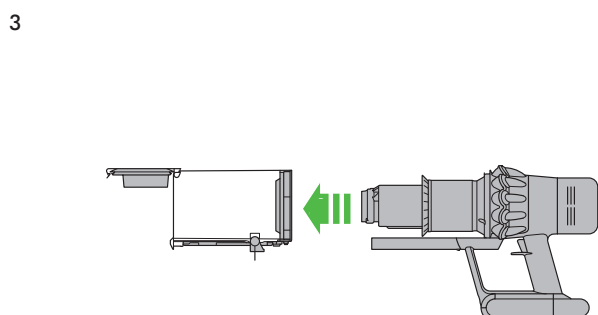
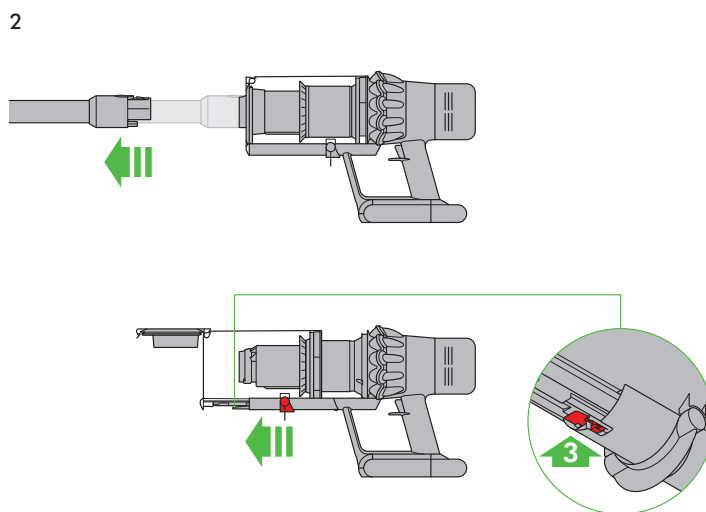
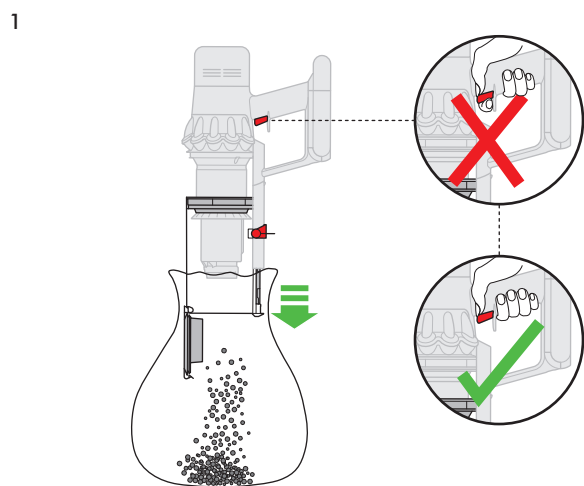
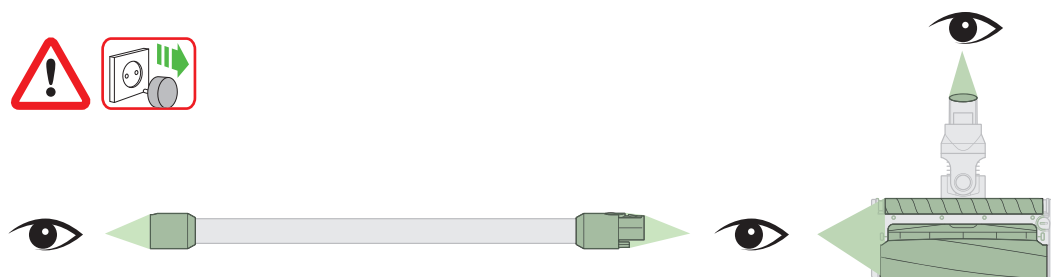


集塵筒開啟以清空時，請注意勿觸動啟動開關。



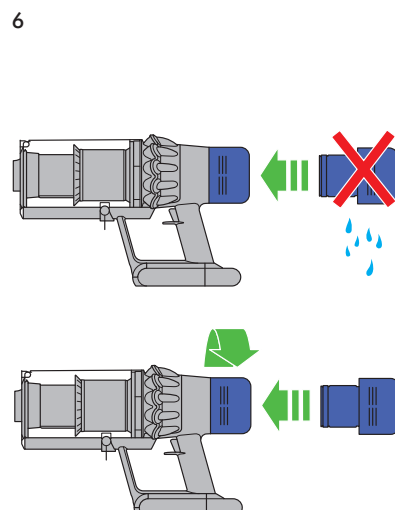
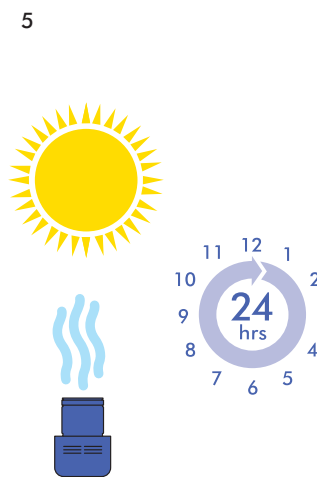
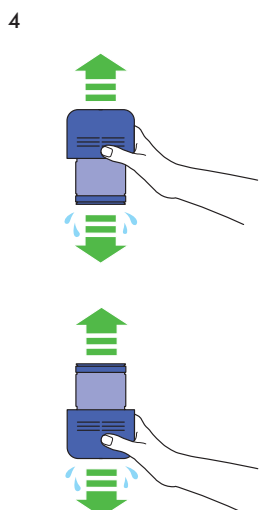
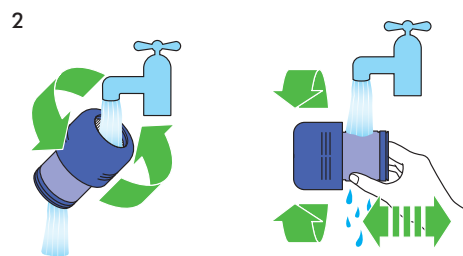
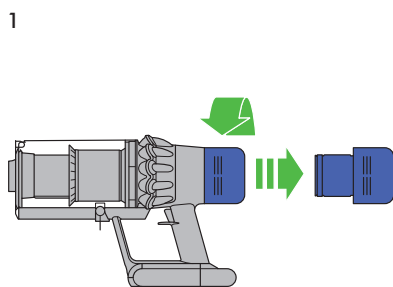
將集塵筒底座往回推，直到透明集塵筒和底座卡入定位，以關閉透明集塵筒。

# 檢查阻塞

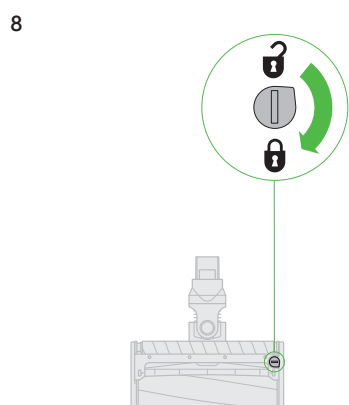
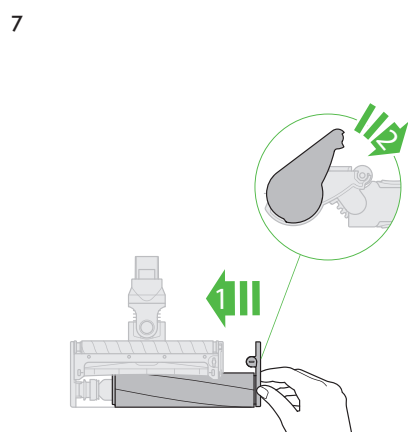
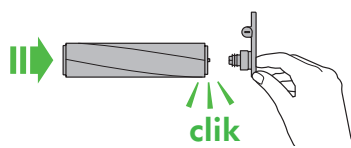
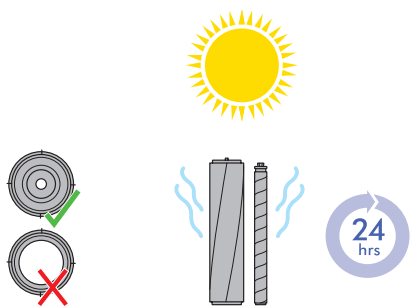
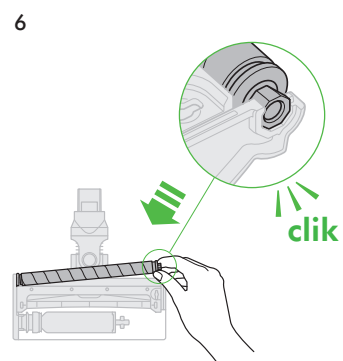
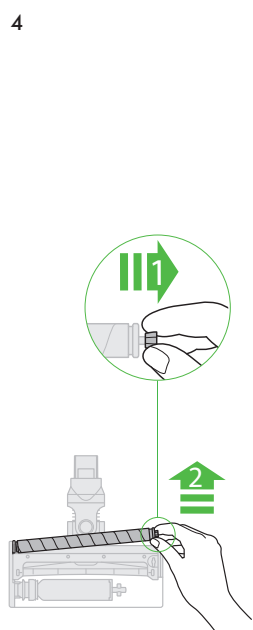
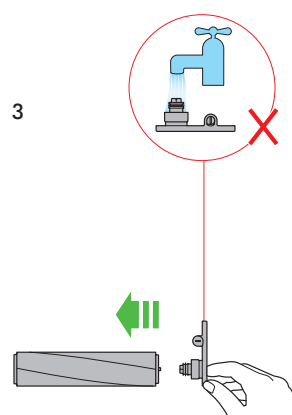
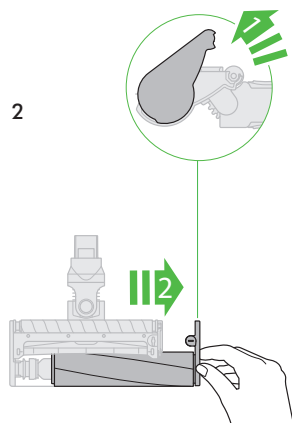
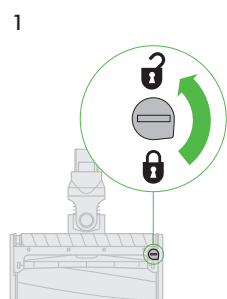


將集塵筒底座往回推，直到透明集塵筒和底座卡入定位，以關閉透明集塵筒。

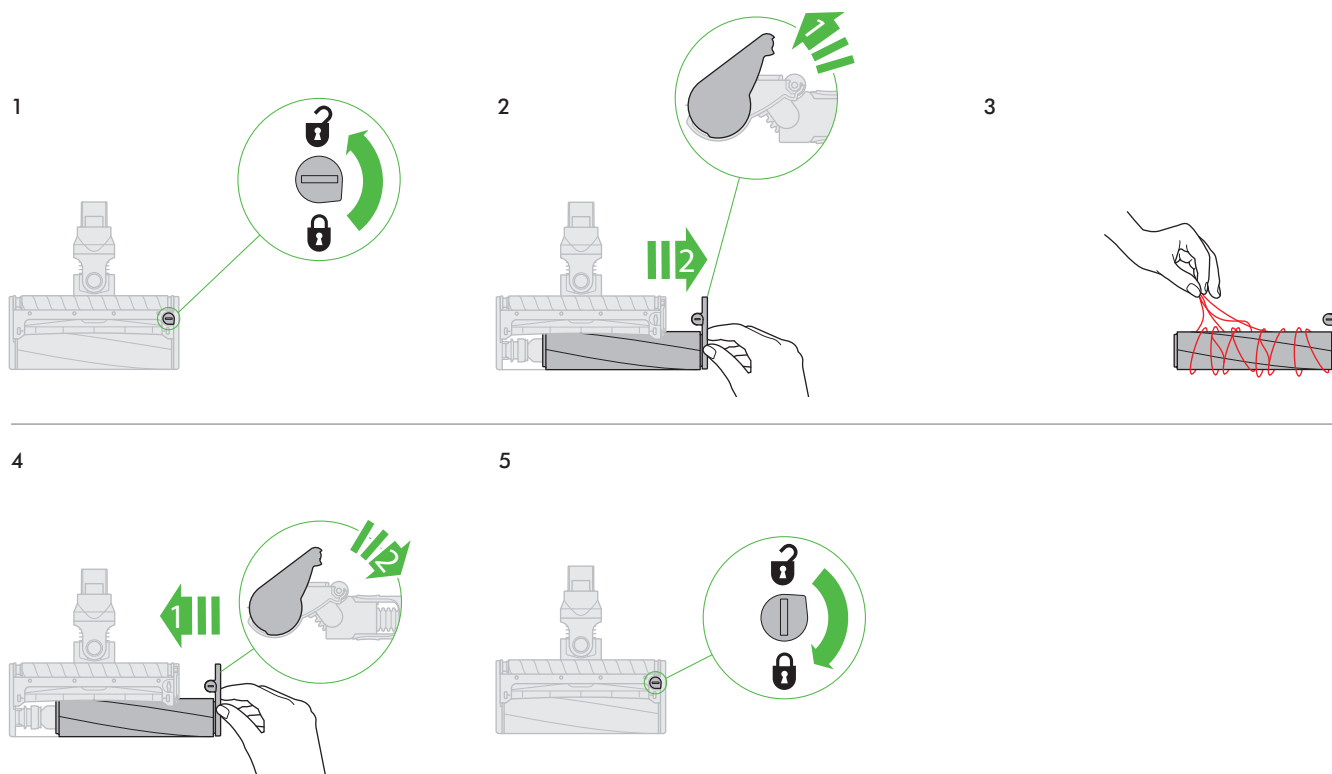
# 清潔濾網



# 軟質碳纖維滾筒吸頭維護 - 清洗滾刷條



# 軟質碳纖維滾筒吸頭維護 - 清除阻塞



# 其他資訊

請先閱讀《戴森使用者手冊》中的〈重要安全注意事項〉，再繼續使用。

## 充電基座安裝

- 將充電基座、充電器及安裝說明自包裝取出。
- 為充電基座選好位置，確定安裝位置後方未直接設有管路（瓦斯、水或空調）、電纜線、電線或通風管。
- 請勿將充電底座放置在高溫熱源附近，例如炊具、暖氣或陽光直射處。
- 請遵照安裝說明書的指示進行。
- 將工具卡入定位。
- 將產品置入充電基座。
- 將充電器插頭插入電源供應管線。開啟電源（若需要）以對電池充電。

首次使用前，務必為機器充滿電。

充電基座必須按照規定和適用的守則 / 標準（可能適用州和地方法律）進行安裝。戴森建議在安裝充電基座時，應視需要穿著保護衣物、使用護眼用具及物料。

## 使用吸塵器

- 檢查吸塵器頭或工具底部是否處於清潔狀態，並且沒有異物，以免造成損傷。
  - 使用吸塵器清潔地板、地毯和毛毯之前，請參閱製造商推薦的清潔說明。
- 本產品的滾刷條會損害某些種類的地毯和地板。若吸塵時使用旋轉的滾刷條，會使某些地毯起毛。如果發生這種情況，建議不要以電動吸頭進行吸塵，並詢問您的地板製造商。

## 清空透明集塵筒

- 只要灰塵一達到 MAX (最大) 標記，請立即清空它——勿使其滿溢。當污垢超過 MAX 線時，使用機器可能會導致污垢到達濾網，需要更頻繁的維護。
- 集塵筒開啟以清空時，請注意勿觸動啟動開關。
- 取下延長管的作法是壓下紅色的釋放按鈕，從集塵筒拉出。
- 若要將灰塵倒出：
  - 集塵筒朝下地握持產品。
  - 用力將紅色集塵筒釋放開關向下推。
  - 集塵筒將會向下滑動，當它往下滑時會一邊清除防塵罩。
  - 集塵筒底座將會打開。
  - 如果未完全按下紅色按鈕，集塵筒底座將不會開啟。

清空集塵筒時，為了減少接觸塵垢，請將透明集塵筒以防塵袋包裹再清空。小心將透明集塵筒自塑膠袋移開。再將塑膠袋密封，並以一般方式丟棄。

- 若要關上透明集塵筒：
  - 向上推集塵筒底座，直到透明集塵筒和底座卡入定位，以關閉透明集塵筒。

## 清潔透明集塵筒

若需要清潔透明集塵筒，請遵照「清空透明集塵筒」的指示進行。

- 壓下位在集塵筒滑條上的紅色按鈕，使集塵筒鬆脫，再將集塵筒沿著滑條滑出。
- 僅可使用濕布擦拭透明集塵筒。
- 請先確定透明集塵筒及封條完全乾燥再放回。
- 若要裝回透明集塵筒：
  - 將背脊插到集塵筒滑條上。
  - 將集塵筒底座向上推，直到透明集塵筒和集塵筒底座卡入定位，以關閉透明集塵筒。

透明集塵筒不可置入洗碗機清洗，同時也不建議使用洗潔精、亮光劑或空氣芳香劑來清潔透明集塵筒，以免損傷產品。

## 檢查阻塞

- 本產品帶有自動斷電裝置。若本產品的任何部分有阻塞，可能導致自動斷電。
- 當有阻塞時，馬達會出現脈衝，LCD 螢幕也會顯示。
- 在檢查阻塞之前，請讓其冷卻。
- 尋找阻塞處時，請注意勿觸動啟動開關。
- 在使用機器之前請先清除任何阻塞物，並且所有部件均已重新裝回。
- 清除阻塞時請注意尖銳物。
- 您的保固並不包括清除阻塞。
- 若要檢查機器主體中是否有阻塞，請依照「清空透明集塵筒」小節的說明來取下透明集塵筒，然後移除任何阻塞。
- 若您無法清除吸頭的阻塞，可能需要取出滾刷條。使用硬幣將卡桿解鎖，將滾刷條以滑動方式從吸頭滑出，再去除阻塞物。裝回滾刷條並轉緊卡桿。在使用機器之前，請確保它牢固地固定。
- 本產品帶有碳纖維毛刷吸頭。請小心接觸碳纖維毛刷吸頭，因其可能導致輕微的皮膚刺激。處理該吸頭後請清洗雙手。

## 清洗濾網裝置

為始終獲得機器的最佳效能，請定期清潔濾網並檢查阻塞。

當濾網裝置需要清洗時，LCD 顯示器會提醒您。我們建議至少一個月清洗一次濾網，或者在機器提醒您時進行清洗。

- 取下濾網裝置的作法是逆時針方向扭轉。輕輕地取下。
- 輕拍濾網裝置以抖掉過多的灰塵和碎屑之後再清洗。
- 僅能以冷水清洗濾網裝置。
- 首先清洗濾網裝置的摺疊紙質部分；將濾網裝置的泡棉部分朝下置於冷水龍頭下方，使冷水溢出摺疊紙。
- 接著清洗濾網裝置的泡棉部分；將濾網裝置的泡棉部分朝下置於冷水龍頭下方，使髒水不致於污染摺疊紙質部分。使冷水溢出泡棉部分的內外，輕輕擠壓泡棉使髒污排出。
- 持續清洗濾網裝置的這兩個部件洗至水變清澈為止。
- 輕晃濾網裝置以抖掉多餘的水，泡棉部分那端朝上瀝乾。
- 將濾網裝置靜置於通風良好的乾燥環境下至少 24 小時，以待完全乾燥。
- 檢查濾網裝置是否完全乾燥。
- 若要重新裝回，請將濾網裝置放回本體，並以順時針方向旋轉，直到卡入定位。

如果用於粉末微粒的吸塵作業，或者主要使用「強效」模式，濾網裝置可能需要更常清洗。請勿將本產品的任何部件放置於洗碗機、洗衣機、乾衣機、烤箱、微波爐中或火焰附近。

## 護理您的軟質碳纖維滾筒吸頭

- 將吸頭上下顛倒放置。使用硬幣將端蓋以逆時鐘方向旋轉四分之一圈，使卡入解鎖位置。
- 將端蓋轉至開啟位置。將主滾刷條輕輕自吸塵器頭滑脫。
- 取下主滾刷條的端蓋。
- 請勿清洗端蓋。
- 將小滾刷條自吸塵器頭提出。
- 將滾刷條放在清水下沖洗，輕輕揉搓以去除毛屑或污垢。
- 將這兩個滾刷條直立放置。靜置至少 24 小時，以待完全乾燥。
- 歸回原位之前，檢查滾刷條是否完全乾燥。
- 將小滾刷條放回原位，確保它卡入到位。
- 將端蓋重新接到主滾刷條上。
- 將主滾刷條以滑動方式裝回吸塵器頭之上。旋轉端蓋，使其回到閉合位置。
- 將卡桿以順時鐘方向旋轉四分之一圈，加以閉合。確定卡桿和滾刷條完全固定到位置。

## 充電與存放

- 電池溫度低於 10° C (50° F)，本產品會切換至「關閉」。此設計是為了保護馬達和電池。請勿在本產品充電後，將其移至溫度低於 10° C (50° F) 的區域存放。
- 為幫助延長電池壽命，請避免在完全放電後立即再次充電。請使其冷卻數分鐘。
- 避免在電池表面發熱時使用本產品。這樣做有助於設備降溫，且可延長電池運作時間和壽命。

## 電池安全注意事項

- 如果電池需要更換，請聯絡戴森服務專線。
- 僅可使用戴森充電器零件編號 217160 為本戴森產品充電。
- 僅可將戴森電池零件編號 355983 用於本戴森產品。其他種類的電池可能產生爆炸、造成火災並導致人員受傷或產品損壞。

## ⚠️ 注意事項

倘若未能妥善處置本裝置中使用的電池，有可能存在火災或化學灼傷的風險。請勿將本產品曝露，或放置於 60° C (140° F) 以上的溫度中，也不可焚燒本產品。請放置在兒童拿不到的地方。請勿拆解電池或丟入火中。

## 棄置資訊

- 戴森產品是由高級的可回收材料所製造。請儘可能回收使用。
- 在棄置本產品前，請將電池從機器之中取出。
- 請依照當地的法規或條例棄置或回收電池。
- 請按照當地法令或規定丟棄壽命耗盡的濾網。

## 戴森客戶服務

感謝您選購戴森產品。

在完成 2 年保固的註冊之後，您的戴森產品自購買之日起將享受 2 年的產品保修（含零件及人工，濾網除外），但需遵守保固條款規定的規定。但是，最終消費者依據有關產品銷售所適用的國家法規享有必不可少的合法權利，此類權利不受保固條款規定的影響。如果您對戴森產品有任何疑問，請瀏覽 [www.dyson.tw/support](http://www.dyson.tw/support)、[www.dyson.hk/support](http://www.dyson.hk/support) 以取得關於戴森產品的線上說明、一般提示及其它有用的資訊。

或者，您也可以撥打戴森服務專線，並提供您的產品序號及購買地點與時間等資訊。

如果您的戴森產品需要維修，請撥打戴森服務專線，以便我們討論可能的方案。如果您的戴森產品在保固期間，而且屬於保固範圍內，將會免費獲得維修。

## 請登記為戴森用戶

為協助我們確保您能夠獲得立即而且有效的服務，請登記為戴森用戶。登記的方式有兩種：

- 透過電子郵件。
- 致電戴森客戶服務專線。

如果發生保險損失情況，這樣做可以幫助您確定您對戴森產品的所有權，並在必要時讓我們能聯絡您。

## 2 年有限保固

戴森 2 年有限保固的條款與細則。

## 保固範圍

- 如果您的戴森產品在購買或交貨之後的 2 年內期間發現因故障材料、製作工藝或功能而出現瑕疵，將由戴森決定提供戴森產品的修理或更換服務（如果有任何零件缺貨或停止生產，戴森可將零件更換為功能性的替代零件）。
- 本產品在銷售國家/地區使用的情況下，本保固方可生效。

## 不保固範圍

因下列情況造成的產品需維修或更換不在戴森保固範圍內：

- 使用或保養疏忽、濫用、疏忽、粗心操作或處理本電器時未能遵照戴森使用者手冊所造成的意外損壞和故障。
  - 將產品用於任何正常居家使用以外的目的。
  - 未依照戴森說明手冊，組裝或安裝零件。
  - 使用非戴森原廠的零件與配件。
  - 錯誤安裝（戴森安裝的除外）。
  - 非戴森或其授權代理所執行的維修或改動。
  - 阻塞 — 請參閱戴森使用者手冊，瞭解如何查看與清除阻塞的詳細資訊。
  - 正常磨損（例如保險絲、滾刷條等）。
  - 在碎石、灰渣或灰泥的環境中使用本產品。
  - 由於電池壽命或電池使用而使得電池放電時間減少（如適用）。
- 如果您對產品保固範圍有任何疑問，請聯絡戴森。

## 保固範圍概要

- 保固將於購買日開始生效（若送貨日期較晚則以收到貨該日為準）。
- 在您的戴森產品進行任何處理之前，您必須提供（原始及後續的）交貨/購買的證明。沒有此證明，執行的任何工作都將會收取費用。請保留您的收據或是送貨單。
- 所有保固服務皆由戴森或其授權代理提供。
- 所有換掉的零件皆為戴森財產。
- 維修或更換仍在保固期間的戴森產品並不會延長保固的期間。
- 保固權益是戴森額外提供給您的權益，不影響您的法定消費者權利。

## 重要資料保護

註冊戴森產品時：

- 您將需要提供我們基本的聯絡資訊，以註冊產品並讓我們得以支援您的保固。
- 您註冊時，將有機會選擇是否要接收我們的訊息。如果您選擇接收戴森的訊息，我們將會傳送特殊優惠的詳細資訊以及最新產品的訊息。
- 我們絕不會將您的資訊賣給第三方，而且只會依據我們網站上提供的隱私權政策所定義，來使用您分享給我們的資訊；我們的網站位於 [privacy.dyson.com](http://privacy.dyson.com)。



## 限用物質含有情況標示

### MARKING OF THE PRESENCE CONDITION OF THE RESTRICTED SUBSTANCES

設備名稱 Equipment Name	: 充電式吸塵器 : Cordless Vacuum Cleaner	型號 (型式) Type Designation	: SV15			
單元 Unit	限用物質及其化學符號 Restricted Substance and its chemical symbol					
	鎘 (Cd) Cadmium	鉛 (Pb) Lead	汞 (Hg) Mercury	六價鉻 (Cr+6) Hexavalent Chromium	多溴聯苯 (PBB) Polybrominated biphenyls	多溴二苯醚 (PBDE) Polybrominated diphenyl ethers
外殼 · 機身 External chassis, body	○	○	○	○	○	○
泡棉材料 Foam materials	○	○	○	○	○	○
印刷電路板及電子部件 Printed circuit board & components	○	-	○	○	○	○
電機元件 Motor Assembly	○	-	○	○	○	○
電池元件 Battery assembly	○	-	○	○	○	○
電池充電器 Battery Charger	○	-	○	○	○	○

備考 1. “○” 係指該項限用物質之百分比含量未超出百分比含量基準值。

Note 1: “○” Indicate that the percentage content of the restricted substance does not exceed the percentage of reference value of presence

備考 2. “-” 係指該項限用物質為排除項目

Note 2: “-” indicates that the restricted substance corresponds to the exemption

備考 3. “超出0.1wt%” 及 “超出0.01wt%” 係指限用物質之百分比含量超出百分比含量基準值。

Note 3: “Exceeding 0.1 wt%” and “exceeding 0.01 wt%” indicate that the percentage content of the restricted substance exceeds the reference percentage value of presence condition

KR

# 다이슨 무선 진공 청소기를 구입해 주셔서 감사합니다.

## 보증 활성화하기

다이슨은 고객님의 제품을 구매하신 이후에도 지속적으로 관심을 기울이겠습니다.  
무료 2년 보증을 활성화한 후에는 보증 약관에 따라 다이슨 제품 구입일로부터 2년 동안 다이슨 무선 진공 청소기의 부품 교환 및 수리(필터 제외)가 보장됩니다. 보증이 끝나도 다이슨의 지원은 계속됩니다.

- 다이슨 공임 및 서비스 제공
- 간편한 교환 방식
- 전문가 상담 가능
- '사용방법' 동영상 및 유용한 정보들

일련번호는 제품 바닥에 있는 명판에 기록되어 있습니다. 향후 문의를 위해 일련번호를 별도로 메모해 두시기 바랍니다.

이 그림은 예시용입니다.



### 어떻게 도와드릴까요?

- 문제 해결
- 팁 및 가이드 받기
- 다이슨 기술 및 기타 다이슨 제품에 대해 알아보기
- 온라인: [www.dyson.co.kr](http://www.dyson.co.kr)
- 전화: 1588 4253

다이슨 고객 관리  
다이슨 무선 기기에 대한 질문이 있다면 일련번호 및 이 기기를 구입한 장소와 시기의 세부 정보를 준비하여 다이슨 헬프라인으로 전화하거나 다이슨 웹사이트를 통해 문의하시기 바랍니다.

## 중요 안전 지침

본 제품을 사용하기 전에 설명서와 제품에 표시된 모든 안내 및 주의 사항을 읽어주십시오.

전자 제품을 사용할 때는 다음과 같이 기본적인 주의사항을 항상 따라야 합니다.

### ⚠ 경고

이 경고는 본 기기에 적용되며 또한 해당되는 모든 도구, 액세서리, 배터리 팩, 충전기 또는 전원 어댑터에 적용됩니다.

화재, 감전, 부상의 위험을 줄이려면 아래 사항을 유의해 주시기 바랍니다.

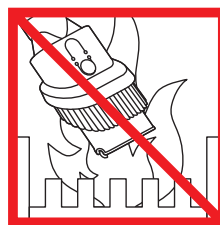
1. 이 제품은 신체적, 감각적, 논리적 능력이 떨어지거나 경험과 지식이 부족한 사람(어린이 포함)이 사용하도록 만들어지지 않았습니다. 안전한 제품 사용을 보장할 수 있는 책임자의 관리 또는 지시 하에 사용되는 경우를 제외하고는 사용을 금하여 주십시오.
2. 본 제품을 장난감처럼 사용하면 안 됩니다. 어린이가 사용하거나 어린이 주변에서 사용할 경우, 특별한 주의가 필요합니다. 어린이가 제품을 가지고 놀지 않도록 감독해 주십시오.
3. 다이슨 사용자 설명서에서 설명한 대로만 사용해 주십시오. 본 설명서나 다이슨 헬프라인에서 권장된 방법 이외의 방식으로 유지보수를 하지 마십시오.
4. 반드시 건조한 장소에서만 사용하십시오. 실외 또는 물기가 있는 표면 위에서 사용하지 마십시오.
5. 젖은 손으로 충전기 또는 제품의 일부를 다루지 마십시오.
6. 손상된 충전기나 케이블과 함께 사용하지 마십시오.
7. 만일 제품이 심한 충격을 받았거나, 떨어졌거나, 손상되었거나, 실외에 방치되었거나, 혹은 물에 빠져 정상적으로 작동하지 않는 경우, 사용을 중지하고 다이슨 고객센터에 연락하십시오.
8. 서비스나 수리가 필요하다면 다이슨 고객센터에 연락하십시오. 제품을 분해하지 마십시오. 잘못된 재조립으로 감전이나 화재가 발생할 수 있습니다.
9. 케이블을 잡아 늘리거나 팽팽하게 당기지 마십시오. 케이블이 뜨거운 표면에 닿지 않도록 하십시오. 케이블 위에서 문을 닫지 마시고, 뽀족한 가장자리나 모서리 주위에서 케이블을 당기지 마십시오. 케이블을 사람들이 자주 다니는 곳이나 걸려 넘어질 수 있는 곳에 두지 마십시오. 전원 케이블 위에서 작동하지 마십시오.
10. 물기를 제거하기 위해 사용하지 마십시오.
11. 휘발유와 같은 인화성 또는 가연성 액체를 제거하기 위해 사용하거나, 또는 그 주위에서 사용하지 마십시오.
12. 담배, 성냥, 또는 뜨거운 재와 같은 타거나 연기나는 것을 청소기로 흡입하지 마십시오.

13. 머리카락, 옷자락, 손가락, 그리고 모든 신체 부위가 흡입구 및 브러시바와 같은 움직이는 부분에서 멀리 떨어져 있도록 하십시오. 눈 또는 귀를 호스, 청소봉 또는 도구로 겨누거나 입 안에 넣지 마십시오.
14. 흡입구를 막을 수 있는 어떤 물체도 흡입구에 넣지 말아 주세요. 흡입구가 막혔을 때에는 제품을 사용하지 마세요. 공기의 흐름을 방해할 수 있으므로 먼지, 보푸라기, 머리카락 등이 흡입구에 끼지 않도록 주의하세요.
15. 다이슨이 권장하는 액세서리 및 교체 부품만을 사용하십시오.
16. 투명 먼지통과 필터가 올바른 위치에 장착되지 않았을 때에는 사용하지 마십시오.
17. 장기간 사용하지 않거나 유지보수, 서비스 이전에는 플러그를 뽑아 주십시오.
18. 계단을 청소할 때에는 특히 주의하십시오.
19. 의도치 않은 시동을 방지하려면, 특히 제품을 들어올리거나 운반할 때를 비롯하여 진공 청소를 시작할 준비가 되기 전까지 손과 손가락이 'ON' 스위치에 닿지 않도록 하십시오. 'ON' 스위치에 손가락을 올린 채로 제품을 운반하면 사고가 발생할 수 있습니다.
20. 이 제품을 실외나 욕실 또는 수영장으로부터 3미터(10피트) 이내의 장소에 설치하거나, 충전 및 사용하지 마십시오. 젖은 표면에 설치하여 사용하지 마십시오. 또한 물이나 비 또는 눈에 맞지 않도록 하십시오.
21. 전동 브러시바를 분리하거나 교체할 때에는 청소기 헤드를 재조립하기 전까지 'ON' 스위치를 당기지 않도록 주의하십시오.
22. 손상되거나 변조된 배터리 팩 또는 제품을 사용하지 마십시오. 손상되거나 변조된 배터리는 예측할 수 없는 동작을 초래하여 화재, 폭발 또는 부상 위험으로 이어질 수 있습니다. 화기나 과도한 온도에 배터리 팩 또는 제품을 노출시키지 마십시오. 화기나 140°F(60°C) 이상의 온도에 노출될 경우 폭발할 수 있습니다.
23. 다이슨 기기는 다이슨 배터리(부품 번호 355983)만 사용하십시오. 다른 종류의 배터리는 폭발하여 화재나 상해를 일으키는 등 피해를 줄 수 있습니다.
24. 전동 브러시 바와 같은 액세서리를 교체하거나 제품을 장기간 보관하기 전에 배터리 팩을 기기에서 분리하십시오. 이러한 예방 안전 조치를 통해 기기를 잘못 작동할 위험을 줄일 수 있습니다.
25. 배터리 팩을 사용하지 않는 경우 종이 클립, 동전, 열쇠, 못, 나사 또는 그 외 작은 금속 물체와 같은 기타 금속 물체에서 멀리 떨어진 곳에 보관하여 단자가 접촉하지 않도록 하십시오. 배터리 단자가 합선되면 화상이나 화재를 일으킬 수 있습니다.
26. 기기에서 분리한 배터리 팩을 폐기할 시에는 현지의 법과 규정을 따라야 합니다.
27. 배터리 팩은 밀봉된 장치로서 정상적인 환경에서는 안전 관련 문제가 없습니다. 드물게 배터리 팩에서 액체가 새어 나올 경우, 자극이 발생하거나 화상을 입을 수 있으므로 이 액체에 닿지 않도록 주의해 주시고 다음 사전 주의 사항을 준수해 주십시오.

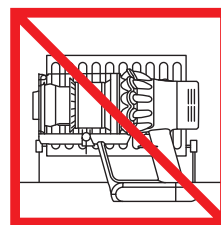
- 피부 접촉 - 피부 자극을 일으킬 수도 있습니다. 비누와 물로 씻어 주십시오.
  - 흡입 - 호흡기 자극이 발생할 수 있습니다. 신선한 공기에 노출하고 의사의 진찰을 받으십시오.
  - 눈 접촉 - 자극을 일으킬 수도 있습니다. 즉시 물로 최소한 15분 이상 철저히 씻어 주십시오. 의사의 진찰을 받으십시오.
  - 폐기 - 배터리 팩 폐기 시에는 보호 장갑을 착용하고 지역 규정이나 법규에 따라 즉시 폐기하십시오.
28. 배터리 충전 및 취급에 관하여 관련 지침을 따라 주시기 바라며, 배터리 교체시 해당 섹션을 참조하시기 바랍니다. 지침에 명시된 온도 범위 밖에서 배터리 팩 또는 기기를 충전하지 마십시오. 명시된 범위 밖의 온도에서 잘못 충전할 경우 배터리가 손상되고 화재 위험이 높아질 수 있습니다. 최대한의 배터리 수명을 보장하기 위한 권장 사항은 다음과 같습니다.
    - 제품을 사용하지 않을 때에는 상온에 보관해야 합니다. 권장 온도 범위는: 18°C(64°F)~28°C(82°F)입니다.
    - 작동 및 충전을 위한 주변 온도 범위는 10°C(50°F)~30°C(86°F)입니다.
  29. 화재 경고 - 이 제품을 요리기구나 기타 뜨거운 표면 위 또는 근처에 두지 마시고, 심한 손상을 입었을 경우에도 이 제품을 소각하지 마십시오. 배터리에 불이 붙거나 폭발할 수 있습니다.
  30. 화재 경고 - 이 제품의 필터에 향수나 방향 제품을 바르지 마십시오. 이러한 제품의 화학 물질은 인화성으로 알려져 있으며 제품에 화재를 일으킬 수 있습니다.

## 이 설명서를 읽고 보관해 두십시오.

본 다이슨 제품은 가정용입니다.



화염 근처에서 사용하지 마십시오.



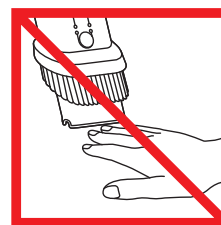
열원 근처에 보관하거나 열원 근처에서 충전하지 마십시오.



물이나 액체를 흡입하지 마십시오.



불이 있는 물체를 흡입하지 마십시오.

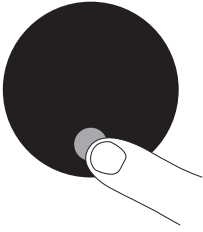


사용 시 손을 브러시바 근처에 두지 마십시오.



요리기구 위 또는 근처에 두지 마십시오.

# 화면



## 설정 메뉴

선택 버튼을 사용하여 기기의 설정을 제어합니다. 설정 메뉴를 입력하려면 메뉴 화면이 나타날 때까지 버튼을 길게 누릅니다. 버튼을 눌러 사용 가능한 옵션을 스크롤합니다.

## 언어 설정하기



기기를 사용하기 전에 기본 언어를 설정해야 합니다.

언어를 설정하지 않고 기기를 계속 사용하면 매 사용 시 언어 설정 메시지가 표시됩니다.

언어를 설정하려면 선택 버튼을 눌러 화면을 활성화합니다.

선택 버튼을 사용하여 언어 옵션을 스크롤합니다. 길게 눌러 언어를 선택합니다.

선택을 취소하려면 도중에 버튼을 놓으면 됩니다.

틱 표시로 스크롤하고 길게 눌러 선택을 확인합니다.

언어 목록에서 'More+'를 선택하여 사용 가능한 언어의 전체 목록을 확인할 수 있습니다.

## 언어 변경

언어 설정 단계를 진행하여 언어를 변경합니다.

## 경고 설정 변경



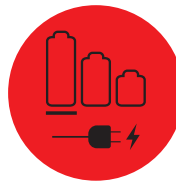
선택 버튼을 사용하여 설정 메뉴를 찾습니다. 그리고 '경고' 설정을 선택합니다.

선택 버튼으로 경고를 켜거나 끌 수 있습니다. 버튼을 반복해서 누르면서 설정하고픈 상태에서 체크(✓) 표시가 나타날때까지 선택 버튼을 길게 누릅니다.

## 종료 설정 메뉴

설정 메뉴를 종료하려면 설정 메뉴를 탭하여 스크롤합니다.

## 배터리 부족



배터리가 부족해지면 화면에 경보가 표시됩니다.

배터리가 완전히 방전되면 화면에 최종 경고 아이콘이 표시됩니다.

## 배터리 상태



Eco 또는 Auto/Med 모드를 사용하여 배터리 성능 및 수명을 최대화합니다.

## 경보

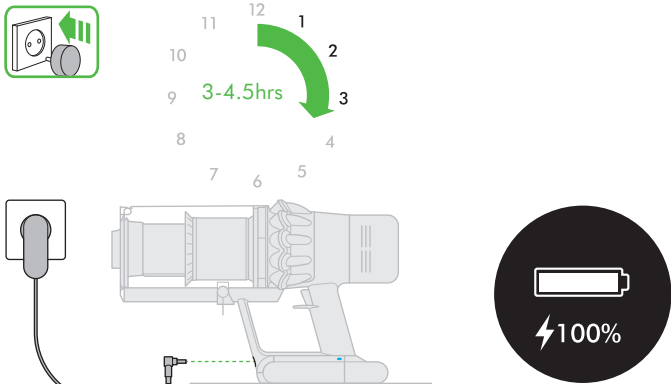
기기에 주의를 기울여야 할 때는 화면 경보로 표시됩니다.

필터 아이콘은 필터가 올바르게 장착되지 않았거나 청소가 필요하다는 것을 알려줍니다.

막힘 아이콘은 기기에서 막힌 부분을 제거해야 한다는 것을 알려줍니다.

# 기기 충전 및 보관

새 제품을 처음 사용하기 전과 매 청소 후에는 완전히 충전하는 것이 중요합니다. 이는 배터리 및 모니터링 시스템 알고리즘이 '학습'하는데 일정 시간이 필요하고, 완전히 충전해야 남은 사용 가능 시간을 보다 정확하게 계산하고 표시하는 데 도움이 되기 때문입니다.

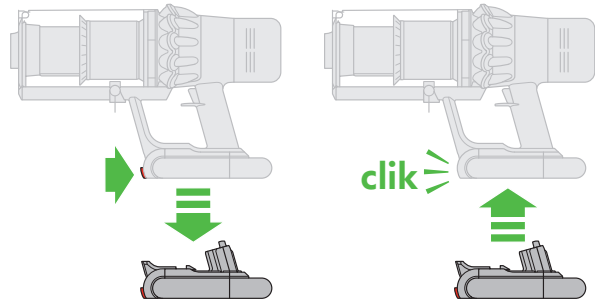


충전기에 직접 연결하거나 도킹 스테이션에 연결합니다.  
 충전 중에는 배터리의 옆면에 있는 파란색 LED가 깜박입니다.  
 배터리가 충전되면 LED 두 개에 모두 5초간 불이 들어온 다음 꺼집니다.

디스플레이에 배터리가 100%로 표시되면 배터리가 완충된 것입니다.  
 배터리 충전량이 없으며 충전해야 합니다.  
 주변 온도가 0°C(32°F) 이하일 경우 기기가 작동하지 않습니다.  
 이는 모터와 배터리를 보호하기 위한 설계입니다.

# 배터리 교체하기

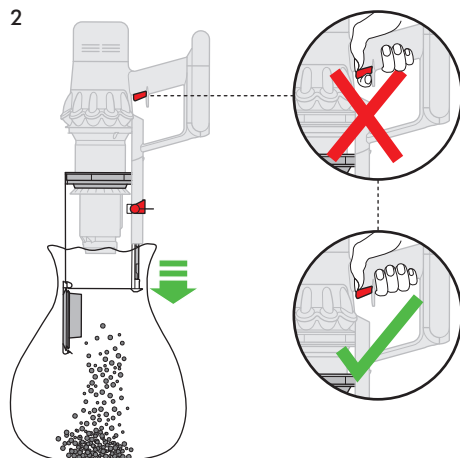
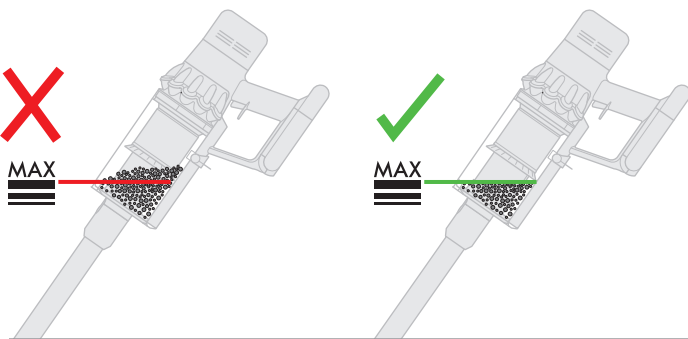
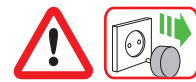
두 배터리의 균일한 성능을 유지하기 위해 배터리를 번갈아 사용하는 것이 좋습니다.



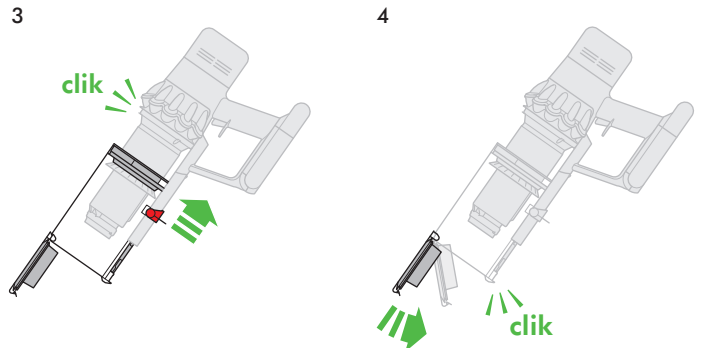
**배터리 분리하기**  
 배터리 아래쪽을 손으로 받칩니다.  
 배터리 분리 버튼을 누르고 배터리를 손잡이에서 분리합니다.  
 배터리를 충전합니다.

**배터리 설치하기**  
 딸깍 소리가 나면서 제자리에 고정될 때까지 손잡이 방향으로 배터리를 밀어 올립니다.

# 투명 먼지통 비우기

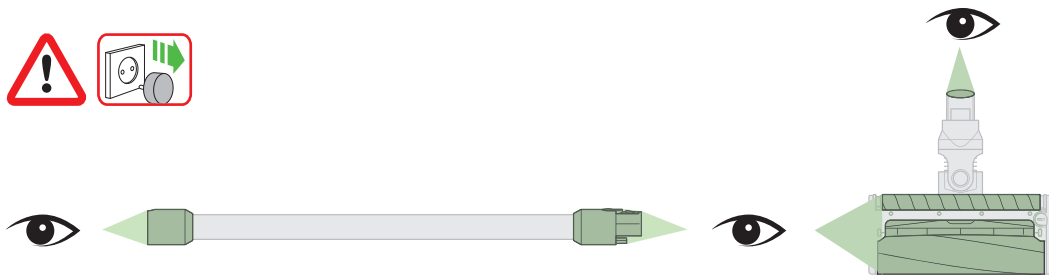
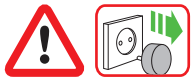


먼지통을 비우기 위해 열어 놓은 경우에는 전원을 켜지 않도록 주의하십시오.

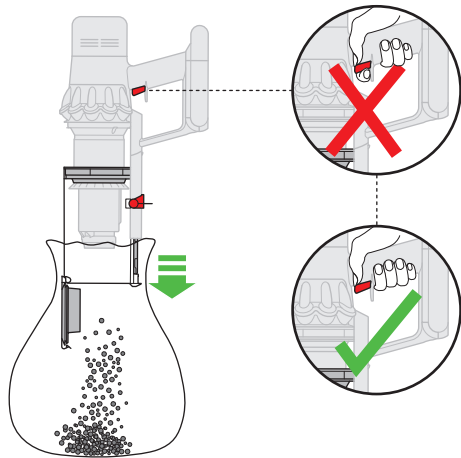


투명 먼지통 및 먼지통 바닥이 딸깍하며 제자리에 맞춰질 때까지 먼지통 바닥을 위로 밀어 투명 먼지통을 닫습니다.

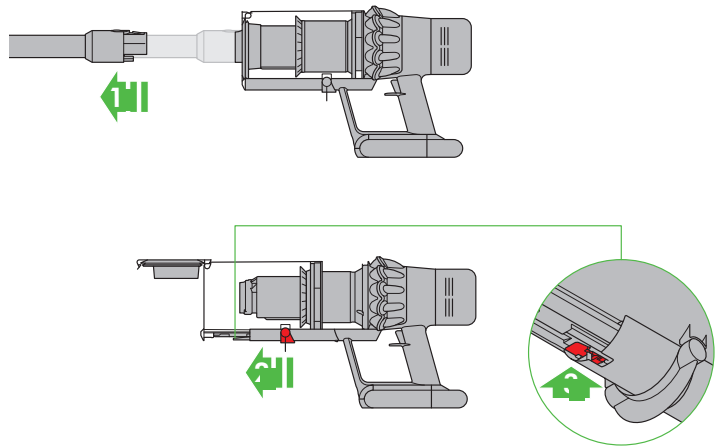
# 막힌 부분 찾기



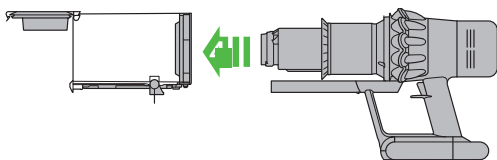
1



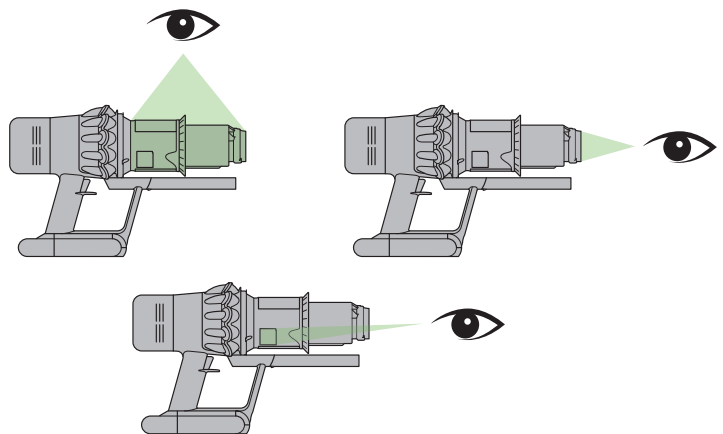
2



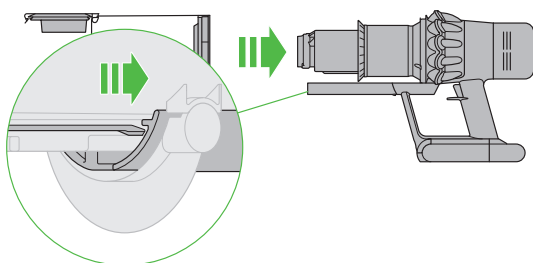
3



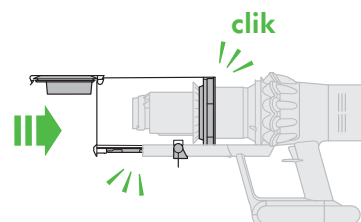
4



5

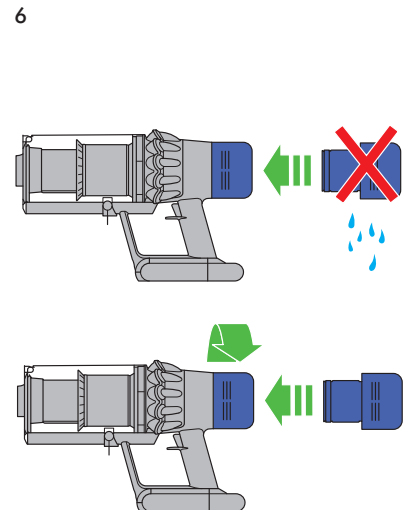
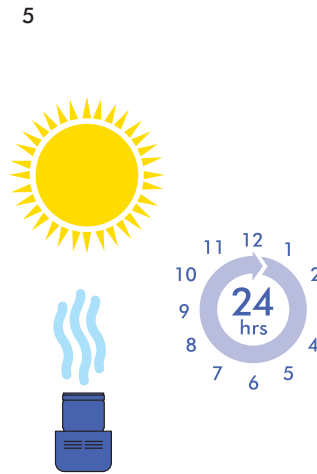
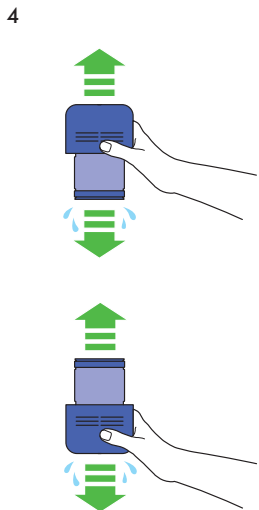
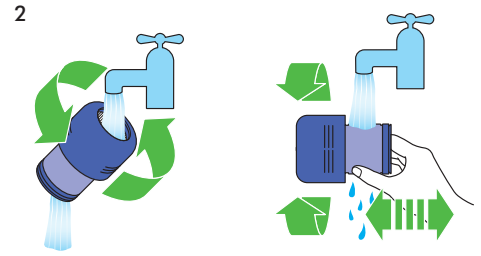
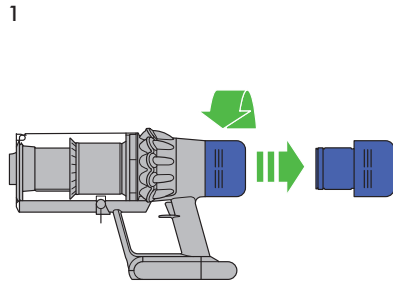
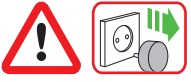


6

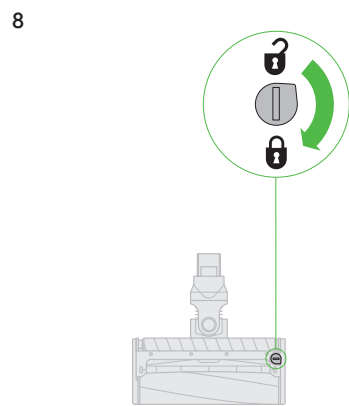
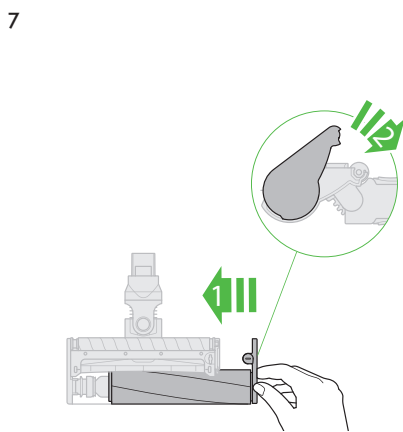
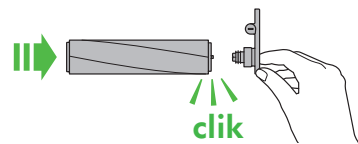
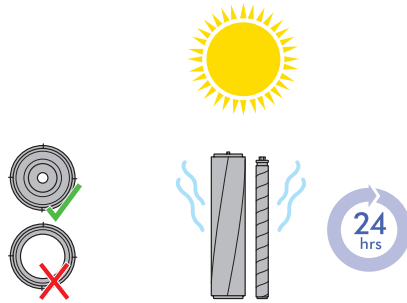
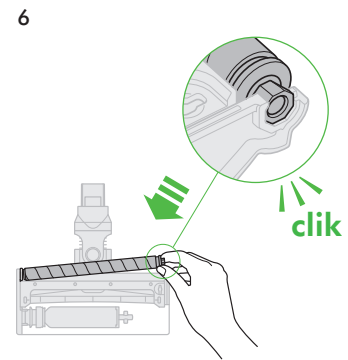
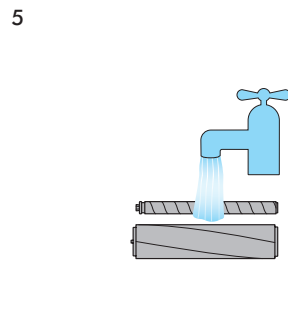
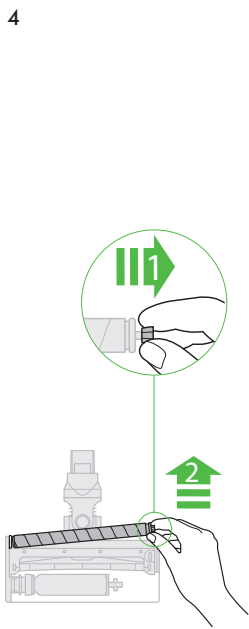
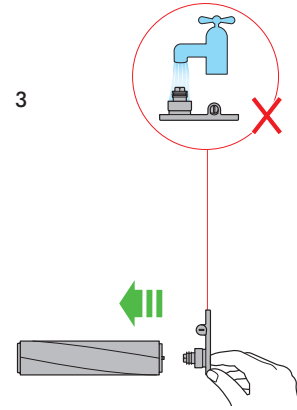
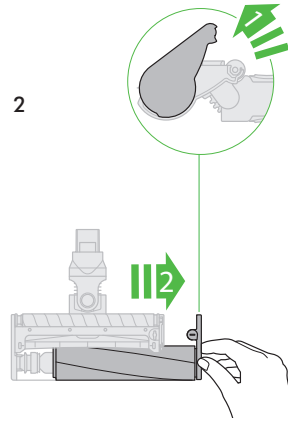
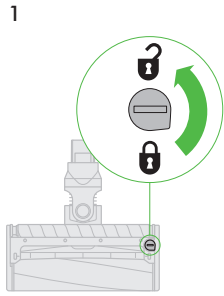


투명 먼지통 및 먼지통 바닥이 딸각하며  
제자리에 맞춰질 때까지 먼지통 바닥을 위로  
밀어 투명 먼지통을 닫습니다.

# 필터 청소

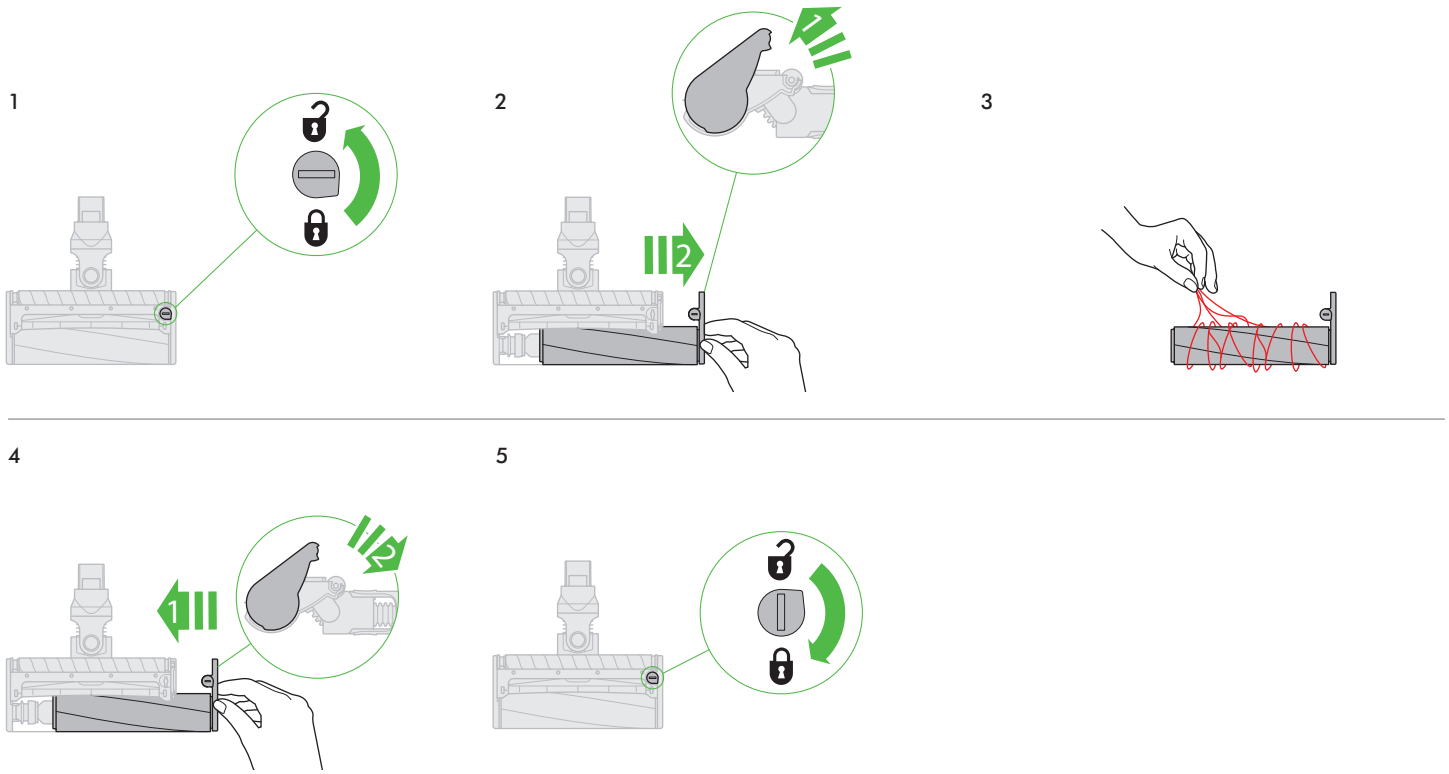


# 소프트 롤러 클리너 헤드 유지보수 - 브러시바 세척





# 소프트 롤러 클리너 헤드 유지보수 - 막힌 부분 청소



# 추가 정보

진행하기 전에 이 다이스 사용 설명서에 있는 '중요 안전 지침'을 읽어 보십시오.

## 도킹 스테이션 설치

- 도킹 스테이션, 충전기 및 설치 소책자를 꺼냅니다.
- 도킹 스테이션의 위치를 선택하고 장착 위치 바로 뒤에 배관(가스, 물 또는 공기), 전기 케이블, 전선 또는 덕트 설비가 없음을 확인하십시오.
- 설치 소책자의 지침을 따릅니다.
- 부착물을 제자리에 끼워 넣습니다.
- 도킹 스테이션에 제품을 놓으십시오.
- 충전기의 플러그를 주 전원원에 꽂으십시오. 배터리를 충전하려면 스위치를 켭니다(필요한 경우).

제품을 처음 사용하기 전과 매 사용 후에는 완전히 충전하는 것이 중요합니다.

도킹 스테이션 설치 시 관련 현지 법을 준수하는 것은 물론, 적용되는 기타 규정/기준을 따라야 합니다.

다이스에서는 도킹 스테이션을 설치할 때 보호복, 보안경 및 재료 사용을 권장하고 있습니다.

## 진공 청소

- 청소기 헤드 또는 도구의 밀면이 깨끗하고 손상을 일으킬 수 있는 이물질이 없음을 확인하십시오.

마루바닥과 카펫을 청소하기 전에 제조사 권장 청소 방법을 확인하십시오.

카펫 및 바닥에 제품의 브러시바로 인한 손상이 발생할 수 있습니다. 일부 카펫의 경우 청소할 때 회전하는 브러시바를 사용하면 보풀이 일 수 있습니다. 이러한 문제가 발생할 경우, 모터식 플로어 롤 없이 청소하고, 바닥재 제조업체에 문의하실 것을 권장합니다.

## 투명 먼지통 비우기

- 먼지 높이가 최대(MAX) 표시에 도달하는 즉시 비워서 이 표시를 넘지 않도록 해 주십시오. 먼지가 최대(MAX) 표시 선을 넘어선 상태에서 기기를 사용하면 먼지가 필터에 닿게 되고 더 잦은 유지 보수의 원인이 될 수 있습니다.
- 먼지를 비우기 위해 먼지통 바닥을 열어놓은 경우 전원을 켜지 않도록 주의하십시오.
- 빨간색 청소용 해제 버튼을 누르고 먼지통에서 빼내어 청소용을 분리하십시오.
- 먼지를 빼내려면:
  - 먼지통이 아래쪽을 향하게 하고 기기를 고정합니다.
  - 빨간색 먼지통 해제 버튼을 세게 누릅니다.
  - 먼지통이 미끄러지면서 덮개를 청소합니다.
  - 그런 다음 먼지통 바닥이 열립니다.

비울 때 먼지와 접촉을 최소화하려면, 투명 먼지통을 방진형 통투로 단단히 감싼 후 비워주십시오.

투명 먼지통을 조심스럽게 비닐 봉지에서 빼내십시오. 비닐 봉지를 밀봉하고 평소와 같은 방법으로 버리십시오.

- 투명 먼지통을 잠그려면:
  - 먼지통이 딸각 소리를 내며 제자리에 놓일 때까지 먼지통의 바닥을 위쪽으로 밀어야 합니다.

## 투명 먼지통 청소 (선택 사항)

투명 먼지통을 청소해야 하는 경우:

- "투명 먼지통 비우기" 섹션의 지침을 따르십시오.
- 먼지통 러너에 있는 은색 버튼을 눌러 먼지통을 해제하고 러너에서 먼지통을 밀어내십시오.
- 투명 먼지통은 젖은 천으로만 청소하십시오.
- 교체 전에 투명 먼지통 및 씰이 완전히 건조되었는지 확인하십시오.
- 투명 먼지통을 다시 고정하려면:
  - 먼지통 러너에 집진기를 삽입합니다.

투명 먼지통 및 먼지통 바닥이 딸각하며 제자리에 맞춰질 때까지 먼지통 바닥을 위로 밀어 투명 먼지통을 닫습니다.

투명 먼지통은 식기세척기에 대해 안전하지 않고, 세정제, 광택제 또는 방향제는 제품을 손상시킬 수 있으므로 투명 먼지통을 청소할 때 사용하지 않는 것이 좋습니다.

## 막힌 부분 찾기

- 본 제품은 자동으로 차단되도록 되어 있습니다. 부품이 막힐 경우 제품이 자동으로 차단됩니다.
- 막힌 부분이 있는 경우 모터에서 펄스가 발생하고 LCD 화면이 켜집니다.
- 막힌 부분을 찾아보기 전에 청소기를 충분히 식힙니다.
- 막힌 부분이 있는지 살펴볼 때 'ON' 스위치를 당기지 않도록 주의하십시오. 제품이 부분적으로 분해된 상태에서 작동할 경우 부상을 입을 수 있습니다.
- 다시 사용 하기 전에 모든 막힌 이물질을 제거하십시오.
- 흡입구의 막힌 부분을 제거할 때는 날카로운 물체에 주의하십시오.
- 막힌 이물질을 제거하는 것은 다이스의 보증사항이 아닙니다.
- 기기 본체의 막힌 부분을 확인하려면, '투명 먼지통 비우기' 섹션의 지시 사항에 따라 투명 먼지통을 분리한 후 막힌 부분을 제거하십시오.
- 청소기 헤드에서 막힌 부분을 해결할 수 없는 경우, 브러시바를 분리해야 합니다. 동전을 사용하여 잠금장치를 잠금 해제하고, 브러시바를 청소기 헤드 밖으로 밀어내고, 막힌 부분을 제거하십시오. 브러시바를 다시 제자리에 설치하고 잠금장치를 단단히 고정합니다. 기기 사용 전에 올바르게 고정되어 있는지 확인하십시오.
- 이 제품에는 탄소 섬유 브러시가 있습니다. 탄소 섬유 브러쉬와 접촉할 경우, 피부에 가벼운 자극을 일으킬 수 있으므로 주의하십시오. 브러쉬를 만진 후에는 손을 씻으십시오.

## 필터 세척

필터를 최소 한 달에 한 번 세척하거나, 필터 유지보수 표시에 불이 들어올 때마다 세척해 주십시오. 지침에 따라, 필터를 점검하고 세척하여 성능을 유지하십시오.

- 시계 반대 방향으로 들어 필터를 분리합니다. 제품에서 필터를 살짝 빼냅니다.
- 필터를 세척하기 전에 필터를 가볍게 두드려 남아 있는 먼지와 부스러기를 제거합니다.
- 필터는 찬물로만 세척하십시오. 세제를 사용하거나 식기 세척기 또는 세척기에서 세척하지 마십시오.
- 첫 번째로 필터의 주름진 종이 부분을 세척합니다. 흐르는 찬물 아래에서 발포 고무 부분을

아래쪽으로 향하여 필터를 잡고 주름진 종이 위로 찬물을 흘려보냅니다.

- 행구는 물이 깨끗해질 때까지 세척을 반복합니다.
- 그 다음, 필터의 발포 고무 부분을 세척합니다. 흐르는 물 아래에서 발포 고무 부분을 아래쪽하여 하여 필터기를 잡아 오염물질이 주름진 종이 부분을 오염시키지 필터 합니다. 발포 고무 부분의 내부와 외부를 흐르는 찬물로 씻어내고 발포 고무를 꼭 짜내 먼지를 제거합니다.
- 행구는 물이 깨끗해질 때까지 세척을 반복합니다.
- 필터 외부를 세척합니다. 찬물로 필터를 채운 다음 손을 개구부 위에 놓고 가볍게 흔듭니다.
- 행구는 물이 깨끗해질 때까지 각 부분과 필터의 외부를 반복해서 세척합니다.
- 필터기를 가볍게 흔들어 남아 있는 물을 제거하고 발포 고무 부분을 위로 향하게 하여 물기가 빠지도록 합니다.
- 완전히 건조되도록 통풍이 잘 되는 건조한 환경에 최소 24시간 동안 필터를 두십시오.
- 필터가 완전히 건조되었는지 점검하십시오.
- 다시 끼우기 위해서는 필터를 본체에 다시 놓고 딱 맞을 때까지 시계방향으로 튼니다.

미세 먼지를 흡입하거나 주로 부스트 모드로 사용하는 경우 필터를 보다 자주 청소해야 합니다.

제품의 어느 부분도 식기 세척기, 세탁기, 탈수기, 오븐, 전자레인지 등에 넣거나 불 옆에 두지 마십시오.

## 소프트 롤러 클리너 헤드 관리

- 청소기 헤드 뒷부분을 아래로 향하게 하여 청소기 헤드의 밀면이 여러분을 향하도록 하십시오. 동전을 사용하여 잠금장치를 딸각하고 잠금 해제 위치에 채워질 때까지 시계 반대 방향으로 4분의 1바퀴 돌리십시오.
- 말단 캡을 열림 위치로 돌리십시오. 청소기 헤드에서 부드럽게 브러시바를 꺼내십시오.
- 큰 브러시바에서 말단 캡을 제거하십시오.
- 말단 캡을 세척하지 마십시오.
- 소형 브러시바를 청소기 헤드 밖으로 들어 올립니다.
- 흐르는 물 아래서 브러시바를 잡고 보푸라기나 먼지를 부드럽게 문질러 제거하십시오.
- 두 브러시바를 똑바로 세우십시오. 보이는 바와 같이 큰 브러시바가 똑바로 서 있는지 확인하십시오. 최소 24시간 동안은 완전히 건조되도록 두십시오.
- 교환 전에 브러시바들이 완전히 건조되었는지 점검하십시오.
- 소형 브러시바를 제자리에 다시 두고 딸각 소리가 나는지 확인합니다.
- 말단 캡을 메인 브러시바에 다시 부착하십시오.
- 모터 근처에 있는 청소기 헤드에 큰 브러시바를 부드럽게 원위치시키십시오. 말단 캡은 보이는 바와 같이 열림 위치에 있어야 합니다. 일단 제위치가 되면, 말단 캡을 다시 닫힘 위치로 돌리십시오.
- 시계방향으로 4분의 1만큼 돌려 잠금장치를 닫으십시오. 잠금장치가 완전히 돌아갔는지 그리고 바닥판과 브러시바가 고정되어 있는지 확인하십시오.

## 충전 및 보관

- 이 제품은 배터리 온도가 10°C(50°F) 이하로 내려가면 'OFF'로 바뀝니다. 이는 모터와 배터리를 보호하기 위한 설계입니다. 제품을 충전한 다음 보관을 위해 온도가 10°C(50°F) 이하인 장소로 이동하지 마십시오.
- 배터리 수명을 연장하기 위해서는 방전 후 바로 충전하지 마십시오. 배터리가 식도록 몇 분 동안 놔두십시오.
- 배터리가 바닥 표면이 맞닿은 채로 제품을 사용하지 않도록 하십시오. 이는 작동 시 과열을 방지하며 배터리 작동 시간과 수명을 오래 유지하도록 해 줍니다.

## 배터리 안전 지침

- 배터리 교체가 필요한 경우 다이스 헬프라인에 문의하십시오.
- 본 다이스 제품을 충전하기 위해서는 다이스 충전기(부품 번호 217160 또는 270576) 만 사용하십시오.

## ⚠ 주의

이 장치에 사용되는 배터리는 잘못된 취급 시 화재나 화학 약품으로 인한 화상의 위험이 있을 수도 있습니다. 분해, 전극 단락, 60°C (140°F) 이상의 가열, 소각 등을 하지 마십시오. 어린이가 가까이 하지 않도록 하십시오. 분해하지 말고 소각하지 마십시오.

## 폐기 정보

- 다이스 제품은 재활용 가능한 고급 소재로 만들어집니다. 가급적 재활용하시기 바랍니다.
- 폐기하기 전에 반드시 배터리를 제품에서 제거해야 합니다.
  - 배터리를 제거할 때, 기기의 전원이 꺼져 있는지 확인하십시오.
- 지역 법령 또는 규정에 따라 배터리를 폐기하거나 재활용하십시오.
- 다 쓴 필터는 지역 법령 또는 규정에 따라 처리하십시오.

## 품질 보증 약관

### 다이스 고객 관리

다이스 제품을 구입해 주셔서 감사합니다.

2년 무상 보증을 등록한 후에는 보증 약관에 따라 다이스 제품구입일로부터 2년간 부품(필터 제외) 및 수리가 보증됩니다. 그러나 소비자 판매에 적용되는 해당 국가 법률에 따른 최종 소비자의 필수 법적 권리는 보증 약관으로부터 영향을 받지 않습니다. 구입하신 다이스 제품에 대한 문의 사항이 있는 경우 온라인 도움말, 일반 설명, 다이스에 관한 유용한 정보가 제공되는 [www.dyson.co.kr](http://www.dyson.co.kr) 를 방문해 주십시오.

또는 일련번호와 구입 매장, 구입일에 관한 상세 사항을 준비하여 다이스 고객센터에 전화하십시오. 다이스 제품에 대한 수리가 필요한 경우 다이스 헬프라인으로 문의하십시오. 가능한 선택 사항을 설명해 드립니다. 다이스 제품의 보증 기간이 적용되고 보증 범위 내에서 수리되는 경우 수리 비용이 일체 들지 않습니다.

### 다이스 제품을 등록하시기 바랍니다

신속하고 효율적인 서비스를 받을 수 있도록, 다이스 제품을 등록하시기 바랍니다. 등록은 다음과 같이 4가지 방법이 있습니다.

- 공식 홈페이지를 통한 등록 ([www.dyson.co.kr](http://www.dyson.co.kr))
- 카카오톡으로 등록 (아이디: dysonkr)
- 이메일 등록 ([help@kr.dyson.com](mailto:help@kr.dyson.com))
- 다이스 고객센터에 전화 등록 (1588-4253)

등록을 하면 보험 손실이 발생할 경우 귀하가 다이스 제품 구입자임을 확인할 수 있고, 필요 시 다이스에서 연락을 드릴 수 있습니다.

### 2년 제한 보증

다이스 이용 약관에 따라 보증 기간은 2년으로 제한됩니다.

### 품질 보증 범위

- 잘못된 소재, 세공 및 기능으로 인해 다이스 제품이 결함이 발생한 경우(다이스의 판단 하에) 제품 구입 또는 배송 후 2년간 수리 및 교체가 가능합니다(부품이 더 이상 이용 가능하지 않거나 생산되지 않는 경우 작동할 수 있는 교체 부품으로 교환해드립니다).

- 이 보증은 제품을 구입한 국가에서 사용할 때만 유효합니다.

**보증 범위 예외**

다이슨은 다음의 결과로 인한 제품의 수리나 교체를 보증하지 않습니다.

- 부적절한 사용이나 관리, 오용, 방치, 부주의한 사용 또는 다이슨 사용자 설명서를 따르지 않은 기기의 조작으로 인한 우발적인 손상, 결함.
- 일반적인 국내 가정용 목적 이외의 다른 용도로 제품을 사용한 경우.
- 다이슨의 안내에 따라 부품을 조립하거나 설치하지 않고 사용한 경우.
- 다이슨의 정품이 아닌 부품과 액세서리를 사용한 경우.
- 올바르게 설치(다이슨이 설치한 경우 제외).
- 다이슨이나 다이슨 공식 대리점 이외의 당사자가 실시한 수리나 개조.
- 막힌 부분 - 막힌 부분을 점검하고 청소하는 방법에 관한 자세한 내용은 다이슨 사용 설명서를 참조하십시오.
- 정상적인 마모나 손상(예: 퓨즈, 브러쉬바 등).
- 자갈, 재, 석고 위에서의 제품 사용.
- 배터리 수명 또는 사용으로 인한 배터리 방전 시간의 감소(해당할 경우).

보증 범위에 대해 질문이 있을 경우 다이슨으로 연락해 주십시오.

**보증 범위 요약**

- 보증 범위 내에 제품을 수리 또는 교체 받았더라도 보증 기간이 연장되지는 않습니다.
- 보증은 추가적인 혜택을 제공하며 이 혜택이 귀하의 소비자로서의 법적 권리에 영향을 주지는 않습니다.
- 보증은 구입일(또는 배송일)부터 유효합니다.
- 다이슨 제품에 대한 작업이 수행되기 전에 (원본 및 일체의 후속) 배송/구입 증명서를 제공해야 합니다. 해당 증명서가 없는 경우 수행되는 작업에 대해 요금이 부과됩니다. 영수증 또는 배송 증명서를 보관하십시오.
- 모든 작업은 다이슨 또는 공식 대리점에 의해 수행됩니다.
- 대체되는 모든 부품은 다이슨의 소유 자산이 됩니다.

**개인정보보호 관련**

다이슨 제품 등록 및 앱 가입 :

- 제품을 등록하고 당사의 서비스를 이용하려면 기본 연락처 정보를 제공해야 합니다.
- 등록 시 마케팅 자료 수신 여부를 선택할 수 있습니다. 다이슨의 마케팅 자료 수신을 선택하면, 특가 판매 상세 정보 및 최신 업데이트 뉴스를 보내 드립니다.
- 귀하의 정보를 절대로 제3자에게 양도하지 않습니다. 제공해주신 정보는 다음 사이트에서 볼 수 있는 당사의 개인정보보호정책에 따라 사용됩니다. [privacy.dyson.com](http://privacy.dyson.com)

TH

## ขอขอบคุณที่เลือกซื้อเครื่องดูดฝุ่นไร้สาย Dyson

### การเริ่มต้นการรับประกันของคุณ

เราจะไม่หยุดดูแลอุปกรณ์ของเราแม้จะอยู่ในมือคุณ หลังจากเปิดใช้งานการรับประกันสองปีฟรีของท่าน เครื่องดูดฝุ่น Dyson ของท่านจะได้รับการคุ้มครองสำหรับชิ้นส่วนและค่าแรง (ไม่รวมตัวกรอง) ของเครื่องดูดฝุ่นไร้สาย Dyson ของคุณ เป็นเวลาสองปีนับจากวันที่ซื้อสินค้า ภายใต้ข้อกำหนดของการรับประกัน แม้ว่า การรับประกันของคุณจะสิ้นสุดลงแล้ว เรายังคงพร้อมที่จะให้การช่วยเหลือ

- ฟรีค่าอะไหล่ Dyson และค่าแรง
- เปลี่ยนสินค้าให้โดยปราศจากข้อยุ่งยาก
- ค่าแนะนำจากผู้เชี่ยวชาญ 7 วันต่อสัปดาห์
- วิดีโออธิบาย 'วิธีการใช้งาน' และเคล็ดลับที่เป็นประโยชน์

หมายเลขซีเรียลของท่าน สามารถดูได้ที่ป้ายข้อมูลสินค้าที่ฐานของเครื่อง จดบันทึกหมายเลขซีเรียลของอุปกรณ์เพื่อใช้อ้างอิงในอนาคต

รูปภาพประกอบนี้ใช้เพื่อเป็นตัวอย่างเท่านั้น



เราจะช่วยเหลือได้อย่างไร

แก้ปัญหา

รับเคล็ดลับและคำแนะนำ

เรียนรู้เกี่ยวกับเทคโนโลยี Dyson และเครื่องมืออื่นๆ ของ Dyson

ทางออนไลน์:

[www.dyson.co.th](http://www.dyson.co.th)

โทรศัพท์

+66 2026 6325

ฝ่ายบริการลูกค้าของ Dyson

หากคุณมีคำถามเกี่ยวกับเครื่องมือไร้สายของ Dyson โปรดโทร

ติดต่อสายด่วนเพื่อให้ความช่วยเหลือของ Dyson พร้อมบอก

หมายเลขประจำเครื่องและรายละเอียดเกี่ยวกับเวลาและสถานที่ที่

คุณซื้อ หรือติดต่อเราผ่านเว็บไซต์ Dyson

## คำแนะนำด้านความปลอดภัยที่สำคัญ

ก่อนใช้อุปกรณ์นี้ โปรดอ่านวิธีการใช้งานและเครื่องหมายเตือน ทั้งหมดที่มีอยู่ในคู่มือนี้และบนตัวอุปกรณ์

ในขณะที่ใช้งานเครื่องใช้ไฟฟ้า ควรปฏิบัติตามข้อควรระวังขั้นพื้นฐานเสมอ รวมถึงข้อปฏิบัติดังต่อไปนี้:

### ⚠ คำเตือน

คำเตือนเหล่านี้ใช้กับเครื่องใช้ไฟฟ้า และในกรณีที่ เหมาะสมในทางปฏิบัติ ยังรวมถึง เครื่องมือทุกชนิด อุปกรณ์เสริม ก้อนแบตเตอรี่ เครื่องชาร์จ หรืออะแดปเตอร์ไฟฟ้า

เพื่อลดความเสี่ยงจากการเกิดเพลิงไหม้ ไฟฟ้าช็อต หรือการได้รับบาดเจ็บ:

1. อุปกรณ์ไม่ได้ออกแบบมาให้ใช้งานโดยบุคคล (รวมถึงเด็ก) ซึ่งมีความบกพร่องทางด้านกายภาพ ประสาทสัมผัส สติปัญญา หรือขาดประสบการณ์ และความรู้ นอกเสียจากว่า บุคคลเหล่านี้ได้รับการควบคุมหรือได้รับคำแนะนำเกี่ยวกับการใช้อุปกรณ์ โดยผู้ที่รับผิดชอบในความปลอดภัยของพวกเขา
2. ห้ามใช้เป็นของเล่น จำเป็นต้องให้ความเอาใจใส่อย่างใกล้ชิดเมื่อใช้งานโดยเด็กหรือใกล้กับเด็ก เด็กควรได้รับการดูแลเพื่อให้แน่ใจว่าจะไม่นำอุปกรณ์ไปเล่น
3. ใช้งานตามที่ได้อธิบายไว้ในคู่มือผู้ใช้ Dyson เท่านั้น ห้ามทำการซ่อมบำรุงใด ๆ ที่นอกเหนือจากที่ได้ อธิบายไว้ในคู่มือนี้ หรือแนะนำไว้โดยสายด่วนเพื่อ ให้ความช่วยเหลือของ Dyson
4. อุปกรณ์นี้เหมาะสำหรับการนำไปใช้ในพื้นที่แห้ง เท่านั้น ห้ามนำไปใช้ภายนอกอาคาร หรือพื้นที่ เปียก
5. ห้ามใช้มือที่เปียกสัมผัสส่วนใดส่วนหนึ่งของสาย ชาร์จหรืออุปกรณ์
6. ห้ามใช้กับสายชาร์จหรือสายไฟที่เสียหาย
7. หากอุปกรณ์ไม่สามารถทำงานตามที่ควรจะเป็น ถูกกระแทกอย่างแรง ตกพื้น เกิดความเสียหาย ถูกทิ้งไว้กลางแจ้ง หรือตกลงไปในน้ำ ห้ามนำมาใช้ และให้ติดต่อสายด่วนของ Dyson
8. ติดต่อสายด่วนของ Dyson เพื่อขอความช่วยเหลือเมื่อจำเป็นต้องใช้บริการหรือซ่อมอุปกรณ์ ห้ามถอดแยกชิ้นส่วนของอุปกรณ์ออกจากกัน

เนื่องจากการประกอบกลับคืนเข้าไปใหม่โดยไม่ถูกวิธีอาจทำให้เกิดไฟฟ้าช็อตหรือเพลิงไหม้ได้

9. ห้ามยึดสายเคเบิลหรือขึงสายเคเบิลจนตึงเกินไป ควรระวังอย่าให้สายเคเบิลอยู่ใกล้พื้นผิวที่ร้อน ห้ามปิดประตูหนีบสายเคเบิล หรือดึงสายเคเบิล ผ่านสันหรือมุมเหลี่ยม จัดวางสายเคเบิลให้ห่างจากบริเวณที่ใช้ในการสัญจร และอยู่ในที่ที่จะไม่ถูกเดินเหยียบหรือสะดุด ห้ามลากอุปกรณ์ไปมาบนสายเคเบิล
10. ห้ามใช้ดูดน้ำ
11. ห้ามใช้ดูดของเหลวที่ติดไฟหรือเผาไหม้ได้ เช่น น้ำมันเชื้อเพลิง หรือใช้ในบริเวณที่มีสารนี้หรือไอระเหยของสารนี้อยู่
12. ห้ามใช้ดูดของที่กำลังติดไฟหรือมีควัน เช่น บุหรี่ไม่ขีดไฟ หรือถ้าถ่านที่ยังร้อนอยู่
13. ควรระวังอย่าให้เส้นผม ชายเสื้อผ้า นิ้วมือ และส่วนต่างๆ ของร่างกายเข้าใกล้ช่องเปิดและชิ้นส่วนที่กำลังเคลื่อนที่อยู่เช่น แท่งแปรงดูดฝุ่น ห้ามหันท่อด้ามจับ หรือเครื่องมือไปทางตา หรือหู หรือนำเข้าปาก
14. ห้ามใส่วัตถุใด ๆ เข้าไปในช่องเปิด ห้ามใช้หากช่องเปิดอุดตัน ควรดูแลรักษาให้ปราศจากฝุ่นละออง เศษเส้นใยผ้า เส้นผม และวัตถุอื่นใดที่อาจกีดขวางการไหลเวียนของอากาศได้
15. ใช้เฉพาะอุปกรณ์เสริมและอะไหล่ที่แนะนำโดย Dyson เท่านั้น
16. ห้ามใช้โดยไม่ได้ติดตั้งถังดักฝุ่นและไส้กรอง
17. ถอดปลั๊กเมื่อไม่ได้ใช้งานเป็นเวลานาน และก่อนทำการบำรุงรักษาหรือรับบริการ
18. ควรใช้ความระมัดระวังเป็นพิเศษเมื่อทำความสะอาดบนชั้นบันได
19. เพื่อป้องกันการเปิดใช้โดยไม่ได้ตั้งใจ ระวังอย่าให้มือหรือนิ้วอยู่ใกล้ไก 'ON' โดยเฉพาะเวลาที่หยิบหรือถืออุปกรณ์ จนกว่าท่านจะพร้อมเริ่มดูดฝุ่น การถืออุปกรณ์โดยนิ้วอยู่ใกล้ไกเปิดปิด 'ON' เสี่ยงต่อการเกิดอุบัติเหตุ
20. ห้ามทำการติดตั้ง ชาร์จหรือใช้อุปกรณ์นี้ภายนอกอาคาร ในห้องน้ำ หรือภายในระยะ 3 เมตร (10 ฟุต) จากสระน้ำ ห้ามใช้บนพื้นผิวที่เปียกน้ำและห้ามนำไปไว้ในที่มีความชื้น ท่ามกลางฝนหรือหิมะ
21. ขณะที่ติดหรือนำแท่งแปรงมอเตอร์ออก ระวังอย่าเหนียวไก 'ON' จนกว่าหัวทำความสะอาดจะได้รับการประกอบเรียบร้อยแล้ว
22. ห้ามใช้ก้อนแบตเตอรี่หรืออุปกรณ์ที่เสียหายหรือได้รับการดัดแปลงแบตเตอรี่ที่เสียหายหรือได้รับการดัดแปลงอาจทำให้เกิดเหตุที่ไม่คาดคิด ซึ่งทำให้เกิด

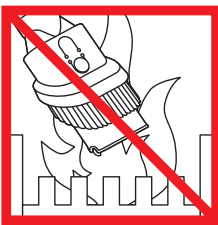
ไฟไหม้ การระเบิด หรือความเสี่ยงที่จะบาดเจ็บได้ ห้ามให้ก้อนแบตเตอรี่หรืออุปกรณ์สัมผัสไฟ หรืออุณหภูมิสูงจัดการสัมผัสไฟหรืออุณหภูมิที่สูงกว่า 140°F (60°C) อาจทำให้เกิดการระเบิด

23. ใช้เฉพาะเครื่องชาร์จ Dyson รหัสอะไหล่ 217160 หรือ 270576 สำหรับการชาร์จอุปกรณ์นี้เท่านั้น ใช้เฉพาะแบตเตอรี่ Dyson หมายเลขชิ้นส่วน 355983 สำหรับอุปกรณ์ Dyson นี้เท่านั้น แบตเตอรี่ประเภทอื่นอาจเกิดการระเบิด ซึ่งก่อให้เกิดไฟไหม้และการบาดเจ็บต่อผู้คนหรือเกิดความเสียหายได้
24. ถอดก้อนแบตเตอรี่ออกจากเครื่องก่อนเปลี่ยนอุปกรณ์เสริมเช่นแท่งแปรงมอเตอร์ หรือเมื่อจะจัดเก็บเครื่องเป็นระยะเวลานานมาตรฐานด้านความปลอดภัยเชิงป้องกันดังกล่าวจะช่วยลดความเสี่ยงการเปิดเครื่องโดยไม่ได้ตั้งใจ
25. เมื่อไม่ได้ใช้งานแบตเตอรี่ ต้องเก็บให้ห่างจากวัตถุโลหะอื่น ๆ เช่น คลิปหนีบกระดาษ เหรียญ กุญแจ ตะปู สกรู หรือวัตถุโลหะขนาดเล็กอื่น ๆ ที่สามารถเชื่อมต่อขั้วหนึ่งไปยังอีกขั้วได้ การช็อตขั้วแบตเตอรี่เข้าด้วยกันอาจทำให้เกิดการไหม้หรือไฟไหม้ได้
26. ต้องถอดก้อนแบตเตอรี่ออกจากเครื่องและทิ้งอย่างปลอดภัยตามกฎหมายหรือข้อบังคับท้องถิ่น
27. ก้อนแบตเตอรี่เป็นชิ้นส่วนที่ได้รับการปิดผนึกมาเป็นอย่างดี โดยในสถานการณ์ปกติจะไม่มีปัญหาด้านความปลอดภัยในกรณีที่มีของเหลวรั่วออกจากก้อนแบตเตอรี่ซึ่งมักไม่เกิดขึ้น ห้ามสัมผัสของเหลวดังกล่าว เนื่องจากอาจทำให้เกิดการระคายเคือง หรือแผลไหม้ และให้ปฏิบัติตามข้อควรระวังดังต่อไปนี้:
  - หากสัมผัสกับผิวหนัง — อาจก่อให้เกิดการระคายเคือง ล้างด้วยน้ำและสบู่
  - การสูดดม — อาจก่อให้เกิดการระคายเคืองในระบบทางเดินหายใจ ให้ออกไปอยู่ในที่ที่มีอากาศถ่ายเทได้ดีและไปพบแพทย์
  - หากเข้าตา — อาจทำให้เกิดการระคายเคือง ล้างตาด้วยน้ำให้ทั่วทันทีเป็นเวลาอย่างน้อย 15 นาที ควรไปพบแพทย์
  - การนำไปทิ้ง – สวมถุงมือก่อนจับก้อนแบตเตอรี่ และนำไปทิ้งทันที ทั้งนี้ ให้ทำตามกฎระเบียบและข้อกำหนดที่มีในท้องถิ่น
28. ทำตามคำแนะนำในการชาร์จ และโปรดดูที่หมวดการเปลี่ยนแบตเตอรี่ของคุณสำหรับวิธีการเปลี่ยนแบตเตอรี่ อย่างชาร์จก้อนแบตเตอรี่หรือเครื่องนอกช่วงอุณหภูมิที่กำหนดไว้ในคำแนะนำ การชาร์จที่ไม่เหมาะสม หรือนอกช่วงอุณหภูมิที่กำหนดไว้ อาจทำให้แบตเตอรี่เสียหายและเพิ่มความเสี่ยงของการเกิดไฟไหม้ เพื่อรักษาอายุแบตเตอรี่ให้ยาวนาน Dyson มีข้อแนะนำดังต่อไปนี้:

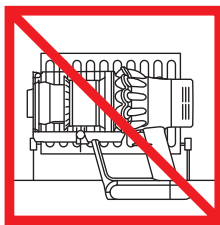
- ขณะที่ไม่ได้ใช้งาน ควรเก็บอุปกรณ์ไว้ที่อุณหภูมิห้อง ช่วงอุณหภูมิที่แนะนำ: 18°C (64°F) ถึง 28°C (82°F)
  - ช่วงอุณหภูมิแวดล้อมสำหรับการใช้งานและการชาร์จควรอยู่ระหว่าง 10°C (50°F) ถึง 30°C (86°F)
29. ระวังอันตรายจากเปลวไฟ – อย่าวางผลิตภัณฑ์นี้ใกล้กับหรือบนเตาหุงต้ม หรือพื้นผิวที่มีความร้อนใด ๆ และอย่าเผาทำลายอุปกรณ์ ถึงแม้ว่าเครื่องจะเสียหายจนใช้งานไม่ได้แล้วก็ตาม เพราะแบตเตอรี่อาจติดไฟหรือระเบิดได้
30. ไวไฟ – อย่าฉีดน้ำหอมหรือผลิตภัณฑ์ประเภทเครื่องหอมที่ตัวกรองของอุปกรณ์นี้ สารเคมีในผลิตภัณฑ์ดังกล่าวเป็นที่ทราบกันดีว่าไวไฟ และอาจทำให้อุปกรณ์ติดไฟได้

## อ่านและเก็บคู่มือนี้ไว้

อุปกรณ์ Dyson นี้มีจุดประสงค์เพื่อการใช้งานในครัวเรือนเท่านั้น



ห้ามใช้ใกล้กับเปลวไฟ



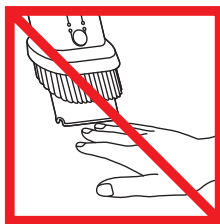
ห้ามจัดเก็บหรือทำการชาร์จใกล้กับแหล่งความร้อน



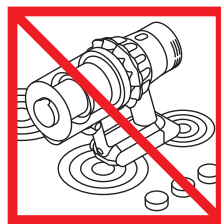
ห้ามใช้จุดน้ำหรือของเหลว



ห้ามใช้จุดวัตถุที่กำลังติดไฟ

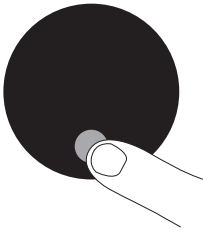


ห้ามนำมือเข้าใกล้แปรงดูดฝุ่นในขณะที่อุปกรณ์ทำงานอยู่



ห้ามวางใกล้กับหรือบนเตาหุงต้ม

# หน้าจอ



## เมนูการตั้งค่า

ควบคุมการตั้งค่าในเครื่องของคุณโดยใช้ปุ่มการเลือก หากต้องการเข้าสู่เมนูการตั้งค่า ให้กดปุ่มค้างไว้จนกว่าหน้าจอเมนูจะปรากฏขึ้น และเพื่อเลื่อนดูตัวเลือกที่มีอยู่

## การตั้งค่าภาษาของท่าน



ท่านจำเป็นต้องตั้งค่าตัวเลือกภาษาที่ต้องการ ก่อนที่จะใช้งานเครื่องของท่าน

ท่านสามารถใช้เครื่องของท่านต่อไปได้โดยไม่ต้องตั้งค่าภาษา แต่ท่านจะได้รับการเตือนความจำในแต่ละครั้งที่ท่านปล่อยกรีกเกอร์

หากต้องการตั้งค่าภาษาของท่าน ให้แตะปุ่มการเลือกเพื่อเปิดใช้งานหน้าจอ

ใช้ปุ่มเลือกเพื่อเลื่อนดูตัวเลือกภาษา กดค้างไว้เพื่อเลือกภาษา

หากต้องการยกเลิกการเลือกของท่าน ให้ปล่อยปุ่มในระหว่างการนับถอยหลัง

เลื่อนไปที่เครื่องหมายถูก กดค้างไว้เพื่อยืนยันการเลือกของคุณ

ท่านสามารถเข้าถึงรายการภาษาที่พร้อมใช้งานทั้งหมดได้โดยการเลือก '+ เพิ่มเติม' จากรายการภาษา

## เปลี่ยนภาษา

ทำตามขั้นตอนในการตั้งค่าภาษาเพื่อเปลี่ยนภาษาของคุณ

## เปลี่ยนการตั้งค่าการแจ้งเตือน



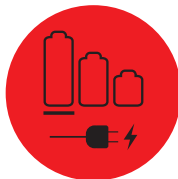
แตะเพื่อเลื่อนดูเมนูการตั้งค่าเลือกตัวเลือก 'การแจ้งเตือน'

เลื่อนเพื่อเลือกเปิดหรือปิดกดปุ่มเลือกค้างไว้จนกว่าจะสิ้นสุดการนับถอยหลัง และเครื่องหมายขีดจะปรากฏขึ้นบนหน้าจอ

## ออกจากเมนูการตั้งค่า

หากต้องการออกจากเมนูการตั้งค่า ให้แตะเพื่อเลื่อนดูเมนูการตั้งค่าเลือก 'เมนูทางออก'

## แบตเตอรี่มีพลังงานต่ำ



หน้าจอจะแจ้งเตือนท่านเมื่อแบตเตอรี่มีพลังงานต่ำ

เมื่อแบตเตอรี่ของคุณไม่มีพลังงานเหลือ ไอคอนการเตือนครั้งสุดท้ายจะปรากฏขึ้นบนหน้าจอ

## การรักษาแบตเตอรี่



เพิ่มประสิทธิภาพและอายุการใช้งานของแบตเตอรี่โดยใช้โหมด Eco หรือ Auto/Med

## การเตือน

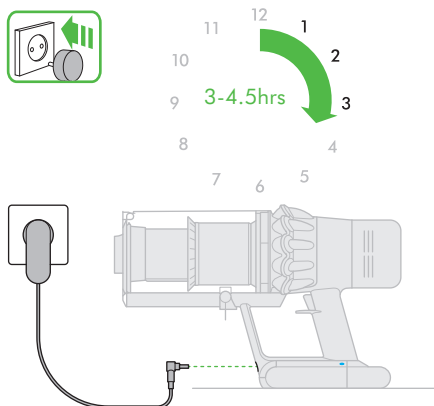
การเตือนจะปรากฏขึ้นบนหน้าจอ เมื่อเครื่องของท่านต้องการความสนใจจากท่าน

ไอคอนตัวกรองจะแจ้งเตือนท่าน เมื่อไม่ได้ติดตั้งตัวกรองอย่างถูกต้องหรือต้องทำความสะอาด

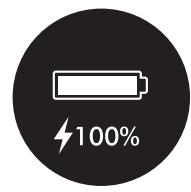
ไอคอนการอุดตันจะแจ้งเตือนท่าน เมื่อมีการอุดตันที่จำเป็นต้องเอาออกจากเครื่องของท่าน

# การชาร์จและการจัดเก็บเครื่องของคุณ การเปลี่ยนแบตเตอรี่ของคุณ

การชาร์จอุปกรณ์ใหม่ของคุณให้เต็มก่อนใช้งานเป็นครั้งแรกและทุกครั้งหลังทำความสะอาดเป็นสิ่งสำคัญ เหตุผลเป็นเพราะว่าอัลกอริทึมของแบตเตอรี่และระบบตรวจสอบ 'รีเซ็ต' เมื่อเวลาผ่านไป การชาร์จอุปกรณ์ของคุณให้เต็มจะช่วยให้คุณใช้งานได้ยาวนานและแสดงเวลาการใช้งานที่เหลือได้อย่างแม่นยำยิ่งขึ้น

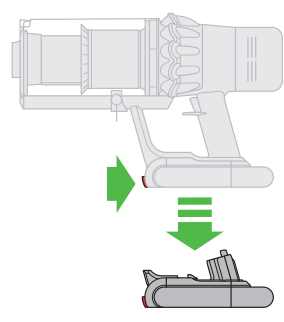


ต่อสายชาร์จกับแหล่งไฟโดยตรงหรือบนแท่นชาร์จอุปกรณ์ ไฟ LED สีฟ้าทั้งสองด้านของแบตเตอรี่จะกะพริบในระหว่างที่กำลังชาร์จ เมื่อแบตเตอรี่ชาร์จเต็ม ไฟ LED ทั้งสองดวงจะสว่างอยู่นาน 5 วินาทีแล้วดับลง



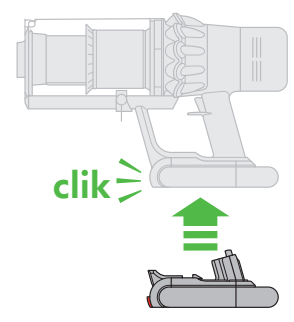
แบตเตอรี่ชาร์จเสร็จ เมื่อหน้าจอแสดงปริมาณแบตเตอรี่ 100% แบตเตอรี่หมดและต้องชาร์จเครื่องของคุณจะไม่ทำงาน หากอุณหภูมิแวดล้อมต่ำกว่า 0°C (32°F) ซึ่งได้รับการออกแบบมาเพื่อปกป้องทั้งมอเตอร์และแบตเตอรี่

เพื่อรักษาประสิทธิภาพการทำงานในแบตเตอรี่ทั้งสองให้เท่ากัน เราขอแนะนำให้คุณสลับกันใช้



## วิธีถอดแบตเตอรี่

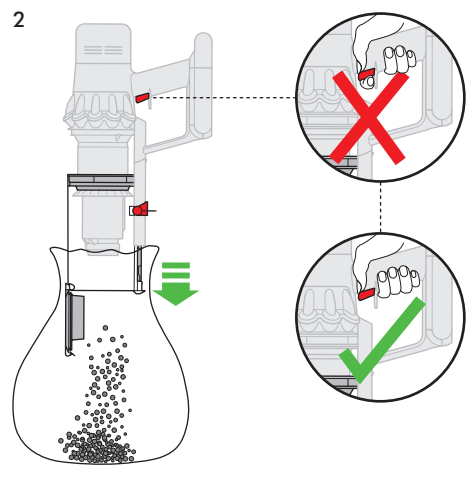
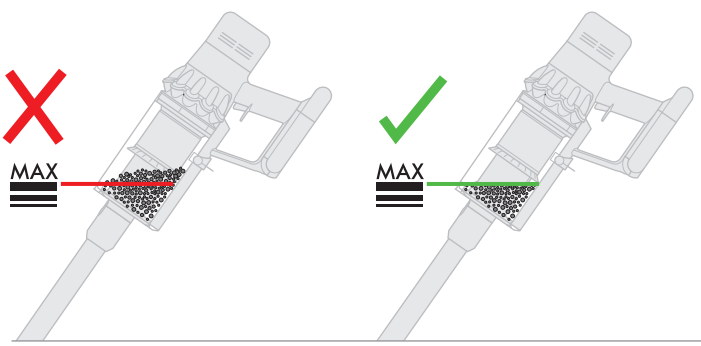
ประคองมือของคุณไว้ใต้แบตเตอรี่เพื่อรองรับ กดปุ่มปล่อยแบตเตอรี่และเลื่อนแบตเตอรี่ออกจากช่องใส่ใส่แบตเตอรี่เมื่อต้องการชาร์จ



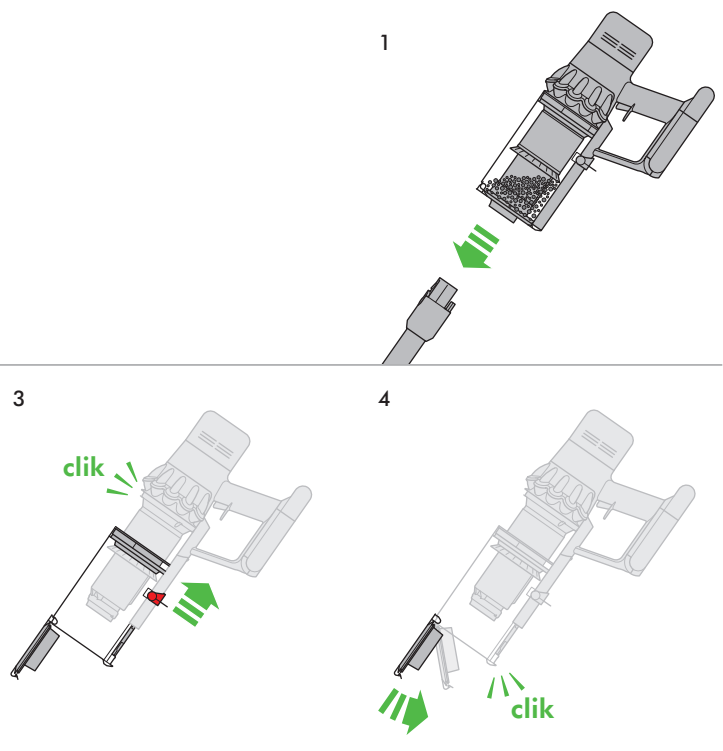
## วิธีติดตั้งแบตเตอรี่

เลื่อนแบตเตอรี่เข้าไปในช่องใส่จนกว่าจะคลิกเข้าที่อย่างปลอดภัย

# การนำถังดักฝุ่นออกไปเททิ้ง



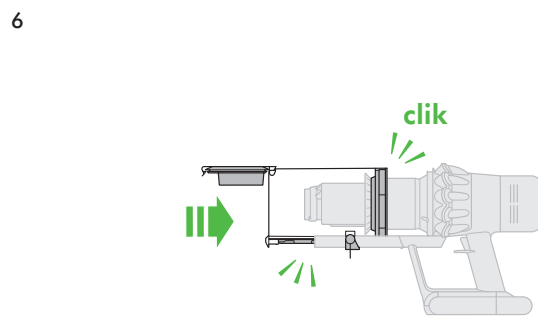
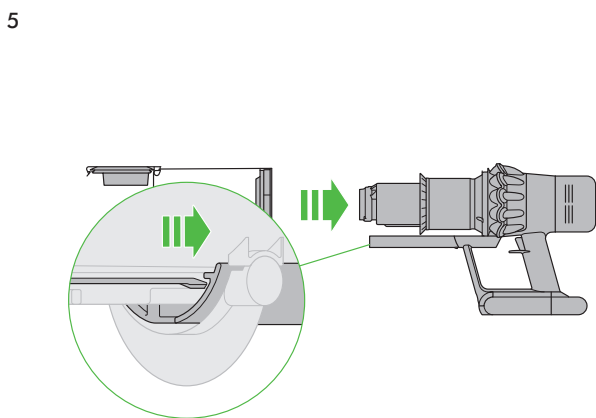
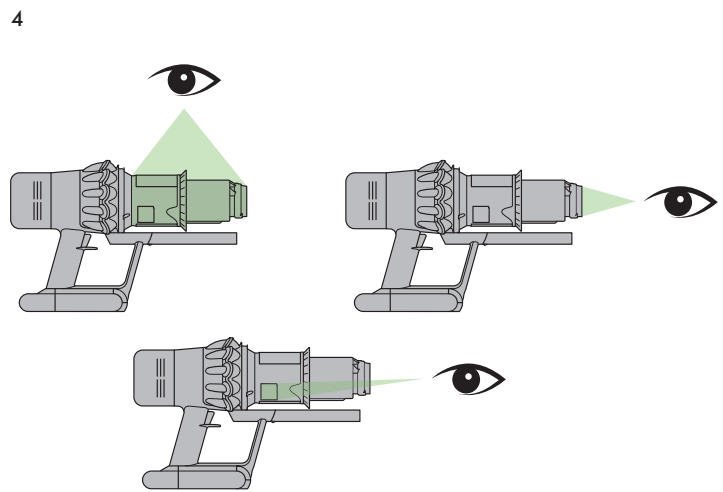
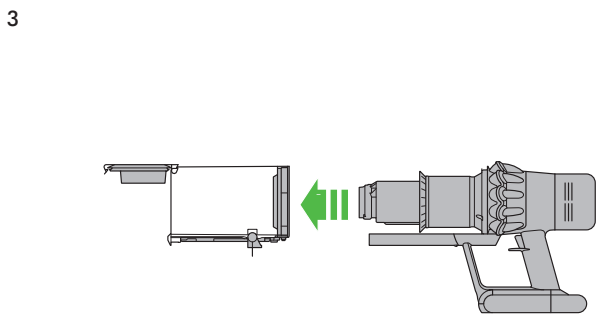
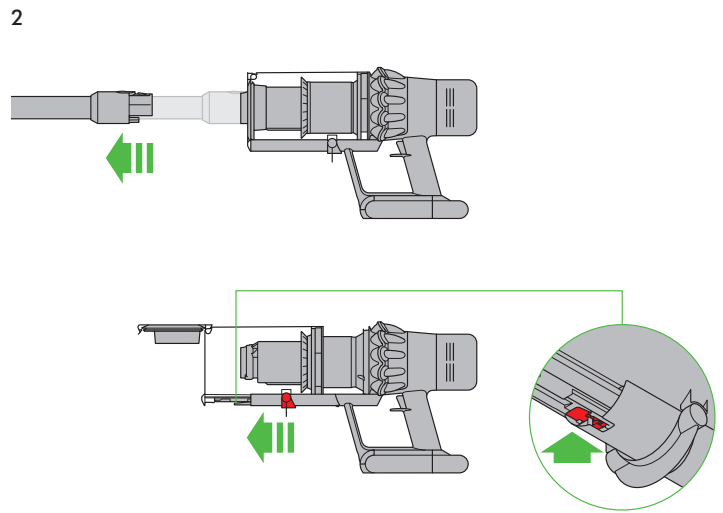
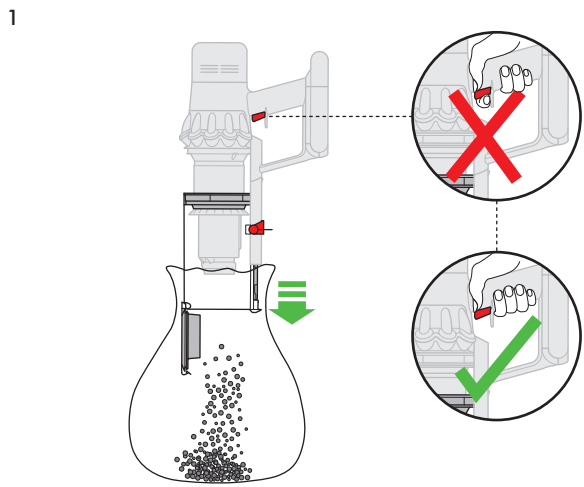
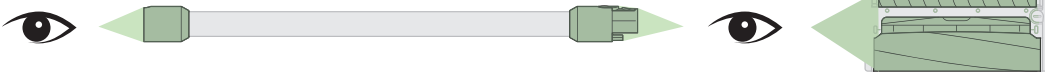
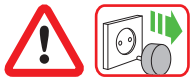
ระมัดระวังอย่าดึงปุ่มสวิตช์ในขณะที่ถังถึงดักฝุ่นแบบไฮเปิดอยู่เพื่อเทฝุ่นออก



ปิดกักดักฝุ่นโดยดันฐานถังขึ้นจนถึงดักฝุ่นและฐานเข้าที่ โดยจะมีเสียงดังคลิก

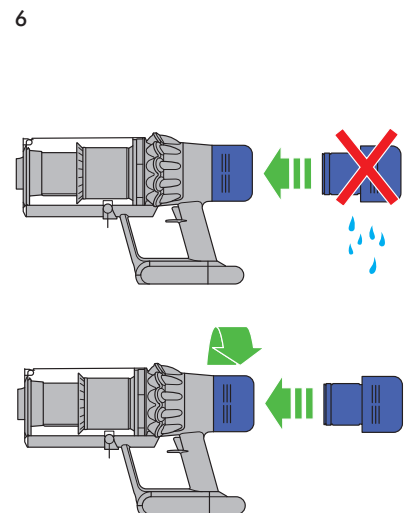
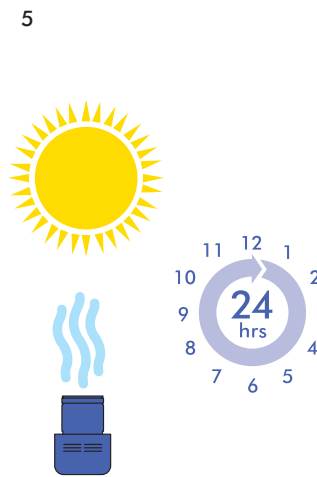
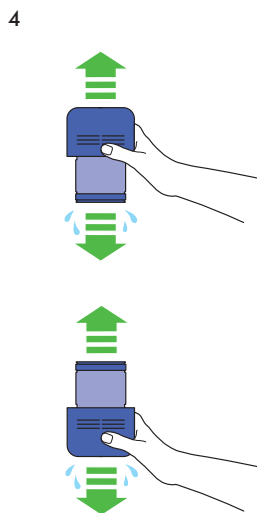
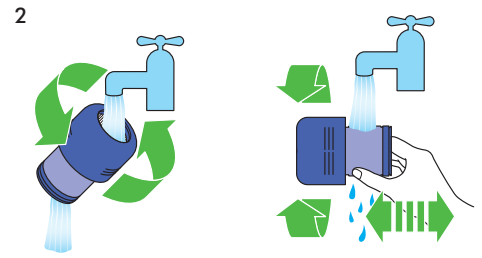
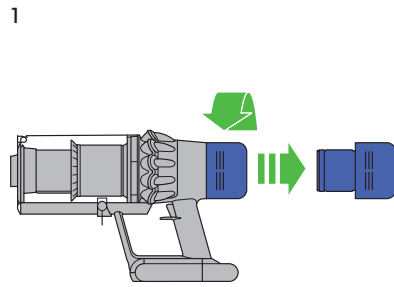
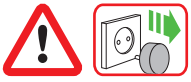


# การตรวจหาเศษสิ่งอุดตัน

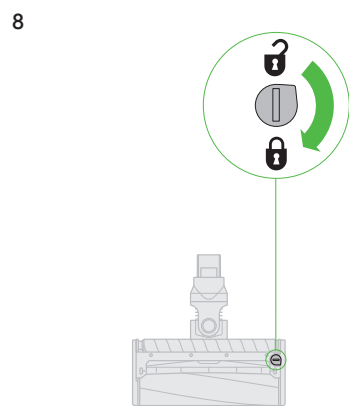
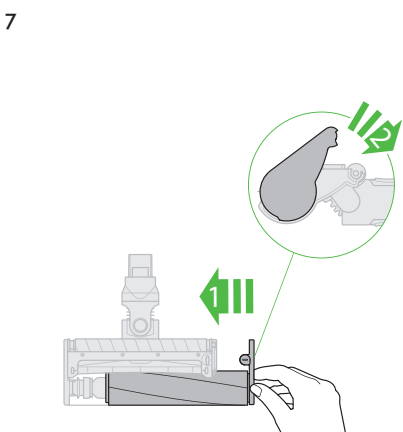
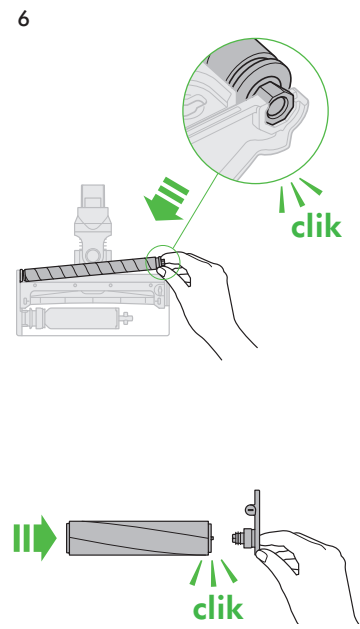
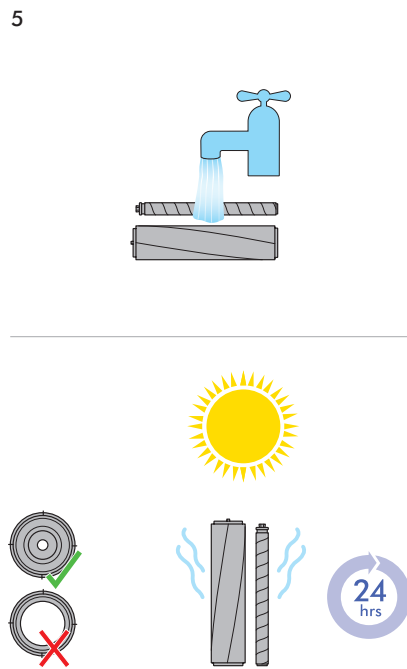
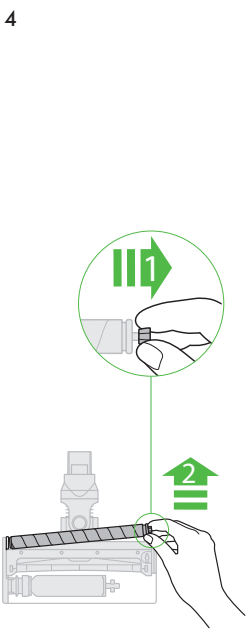
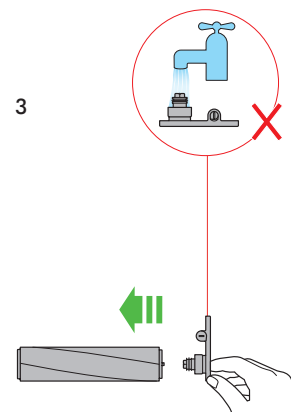
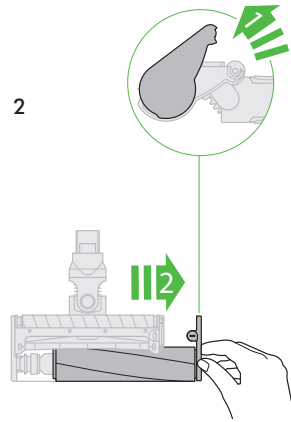
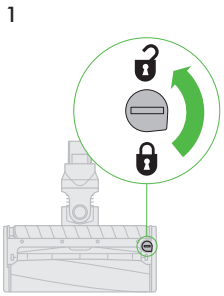


ปิดกักตัวฝุ่นโดยดันฐานถังขึ้นจนถึงตัวฝุ่น และฐานเข้าที่โดยจะมีเสียงดังคลิก

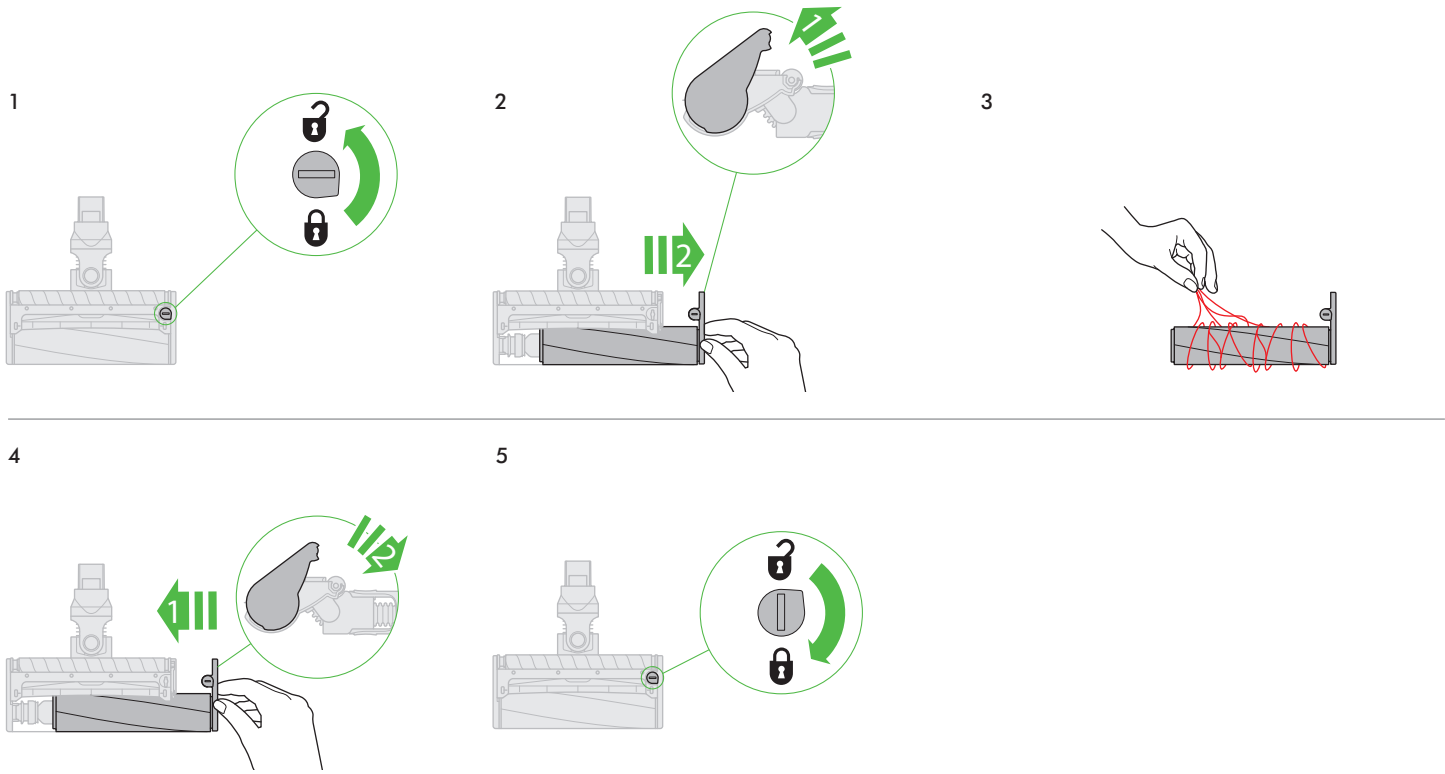
# การทำความสะอาดไส้กรอง



# การดูแลรักษาหัวทำความสะอาดแบบลูกกลิ้งนุ่ม - การล้าง/แต่งแปรง



# การดูแลรักษาหัวทำความสะอาดแบบลูกกลิ้งนุ่ม - การกำจัดสิ่งอุดตัน



# ข้อมูลเพิ่มเติม

โปรดอ่าน "วิธีปฏิบัติเกี่ยวกับความปลอดภัยที่สำคัญ" ในคู่มือการใช้งานของ Dyson ฉบับนี้ก่อนดำเนินการต่อ

## การติดตั้งแท่นเสียบอุปกรณ์ (Docking Station)

- แยกปลั๊กแท่นชาร์จ สายชาร์จ และแผ่นพื้นเม่น้ำการติดตั้ง
  - เลือกจุดติดตั้งแท่นชาร์จ และตรวจสอบดูว่าไม่มีขดลวด (แก๊ส น้ำ หรืออากาศ) สายไฟฟ้า สาย หรือท่อส่งลม อยู่ด้านหน้าหลังสถานที่ติดตั้งโดยตรง
  - อย่าวางแท่นชาร์จไว้ใกล้แหล่งความร้อน เช่น หม้อต้มน้ำ แผงทำความร้อน หรือในที่ที่สัมผัสกับแดดโดยตรง
  - ปฏิบัติตามข้อแนะนำในแผ่นพื้นเม่น้ำการติดตั้ง
  - ติดสลับประกอบให้คลิกเข้าที่
  - วางอุปกรณ์บนแท่นชาร์จ
  - เสียบสายชาร์จเข้าแหล่งจ่ายไฟหลัก เปิดสวิตช์ (ถ้าจำเป็น) เพื่อชาร์จแบตเตอรี่
  - การชาร์จเครื่องให้เต็มก่อนใช้งานเป็นครั้งแรกและทุกครั้งหลังการใช้งานเป็นสิ่งสำคัญ
- แท่นชาร์จจะต้องติดตั้งตามกฎระเบียบและมาตรฐาน/ข้อกำหนดที่เกี่ยวข้อง (ตามกฎหมายของรัฐและท้องถิ่น) Dyson ขอแนะนำให้สวมชุดป้องกันร่างกาย แว่นตา และอุปกรณ์ป้องกันที่จำเป็นในขณะติดตั้งแท่นชาร์จ

## การใช้งานเครื่องของท่าน

- ตรวจสอบว่าด้านล่างของหัวทำความสะอาดหรือเครื่องนึ่งทำความสะอาด และไม่มีสิ่งแปลกปลอมซึ่งอาจก่อให้เกิดความเสียหาย
- ก่อนทำการดูดฝุ่นพื้นผิว แผ่นพรมปูพื้น และพรมของบ้าน ควรตรวจสอบวิธีการทำความสะอาดที่แนะนำโดยผู้ผลิต
- พรมบางประเภทอาจหลุดเป็นผืนหากใช้แท่นชาร์จแบบหมุนในระหว่างการดูดฝุ่น หากเกิดกรณีนี้ ขอแนะนำให้ใช้เครื่องดูดฝุ่นโดยไม่ใช้หัวดูดแบบมอเตอร์ และควรขอคำปรึกษาจากผู้ผลิตวัสดุปูพื้นด้วย

## การนำถังดูดฝุ่นออกไปเททิ้ง

- นำสิ่งสกปรกไปเททิ้ง การใช้เครื่องเมื่อระดับฝุ่นเลยขีด MAX อาจทำให้ฝุ่นเข้าถึงตัวกรองและทำให้ต้องทำการบำรุงรักษาบ่อยขึ้น
  - รมารถจะอย่าดึงปุ่มสวิตช์ในขณะกำลังเติมฝุ่นแบบใส่ไปอยู่เพื่อเทฝุ่นออก
  - ปลอดภัยที่สุดคือการถอดปลั๊กเครื่องดูดฝุ่นแล้วดึงถังออกจากถังดูดฝุ่น
  - การนำถังออก:
    - จับอุปกรณ์โดยให้หัวด้านล่างเหนือถังขยะ
    - ถังดูดฝุ่นจะสไลด์ลง ทำให้ฝุ่นตกลงมาในขณะนั้น
    - ฐานของถังดูดฝุ่นจะเปิดขึ้น
    - ฐานของถังดูดฝุ่นจะไม่เปิดขึ้นถ้าปุ่มสวิตช์ไม่ถูกกดให้สุด
- เพื่อลดการสัมผัสกับฝุ่นละอองขณะเทสิ่งสกปรกทิ้ง ให้ใช้ถุงพลาสติกสวมถังดูดฝุ่นและปิดปากถุงให้สนิท แล้วจึงเทสิ่งสกปรกลงไปในถุงพลาสติก นำถังดูดฝุ่นออกจากถุงอย่างระมัดระวัง ปิดปากถุงให้แน่น และนำไปทิ้งได้ตามปกติ
- หากต้องการปิดถังดูดฝุ่น
  - ดันฐานถังขึ้นจนถังดูดฝุ่นและฐานเข้าที่โดยจะมีเสียงดังคลิก

## ทำความสะอาดถังดูดฝุ่น (ทางเลือก)

- ในกรณีที่จำเป็นต้องทำความสะอาดถังดูดฝุ่น:
- ให้ปฏิบัติตามข้อแนะนำในหัวข้อ "การนำถังดูดฝุ่นไปเททิ้ง"
  - กดปุ่มสวิตช์ที่อยู่บนแนวสวิตช์เพื่อปลดถังดูดฝุ่น และเลื่อนถังดูดฝุ่นออกจากแนวสวิตช์
  - ทำความสะอาดถังดูดฝุ่นด้วยผ้าชุบน้ำบิดหมาดเท่านั้น
  - ตรวจสอบให้แน่ใจว่าถังดูดฝุ่นและขอบต่างๆ แท่งสวิตช์ก่อนใส่คืนเข้าที่
  - การติดตั้งถังดูดฝุ่นเข้าที่:
    - สอดแกนติดตั้งเข้ากับแนวสวิตช์ของถังดูดฝุ่น
- ปิดถังดูดฝุ่นโดยดันฐานถังดูดฝุ่นขึ้นจนถึงขีดสูงสุดและฐานเข้าที่โดยจะมีเสียงดังคลิก
- ถังดูดฝุ่นไม่สามารถล้างด้วยเครื่องล้างจานได้และไม่แนะนำให้ใช้สารทำความสะอาด น้ำยาขัดเงา หรือน้ำหอมปรับอากาศทำความสะอาดถังดูดฝุ่น เนื่องจากอาจก่อให้เกิดความเสียหายต่ออุปกรณ์ได้

## การตรวจหาเศษสิ่งอุดตัน

- อุปกรณ์นี้ไม่มีระบบตัดไฟโดยอัตโนมัติ หากส่วนใดส่วนหนึ่งของอุปกรณ์เกิดการอุดตัน อุปกรณ์อาจทำการตัดไฟโดยอัตโนมัติ
- มอเตอร์จะสั่นสะเทือนและหน้าจอ LCD จะแสดงว่ามีสิ่งอุดตัน
- ปลดปล่อยไว้ให้เย็นลง ก่อนทำการตรวจหาสิ่งอุดตัน
- ระวังอย่าดึง 'ON' ขณะตรวจหาสิ่งอุดตัน
- การใช้ใช้อุปกรณ์ขณะที่ประกอบไม่สมบูรณ์อาจทำให้เกิดการบาดเจ็บได้
- ตรวจสอบให้แน่ใจว่าไม่มีการอุดตันใด ๆ และทุกชิ้นส่วนถูกประกอบเข้าไปดังเดิมแล้วก่อนที่จะใช้เครื่อง
- ควรระวังวัตถุคมในขณะตรวจหาเศษสิ่งอุดตัน
- การกำจัดเศษสิ่งอุดตันไม่ได้รับสิทธิคุ้มครองตามการรับประกันของ Dyson
- สำหรับการตรวจหาสิ่งอุดตันในตัวเครื่องหลักของท่าน ให้ถอดถังดูดฝุ่นออกโดยปฏิบัติตามข้อแนะนำในหัวข้อ "การนำถังดูดฝุ่นไปเททิ้ง" แล้วนำสิ่งอุดตันใด ๆ ออก
- ถ้าท่านไม่สามารถนำสิ่งอุดตันออกจากหัวทำความสะอาดได้ อาจจำเป็นต้องถอดแท่นชาร์จ ใช้เหรียญเพื่อปลดล็อกสวิตช์ เลื่อนแท่นชาร์จออกจากหัวทำความสะอาด แล้วนำสิ่งอุดตันออก ใส่แท่นชาร์จประตูดฝุ่นคืนเข้าที่ แล้ววนสวิตช์ให้แน่น ตรวจสอบให้แน่ใจว่าได้ทำการยึดอย่างแน่นหนาก่อนการใช้งานเครื่องของท่าน
- ผลิตภัณฑ์ที่ใช้เป่าที่ทำงานสับคาร์บอน โปรดใช้ความระมัดระวังหากต้องสัมผัสกับแรงคาร์บอน เนื่องจากอาจทำให้เกิดการระคายเคืองต่อผิวหนังได้ ควรล้างมือหลังจากทำการจัดการเกี่ยวกับแท่นชาร์จเรียบร้อยแล้ว

## การล้างไส้กรอง

- เพื่อให้เครื่องทำงานได้อย่างมีประสิทธิภาพอยู่เสมอ จึงเป็นสิ่งสำคัญที่ควรหมั่นทำความสะอาดตัวกรองและตรวจสอบว่ามีสิ่งอุดตันหรือไม่
- หน้าจอ LCD จะแจ้งเตือนท่านเมื่อชุดตัวกรองจำเป็นต้องมีการล้างทำความสะอาดรายสัปดาห์แนะนำให้ล้างตัวกรองอย่างน้อยเดือนละครั้ง หรือเมื่อเครื่องของท่านแจ้งเตือน
- ถอดชุดตัวกรองออกด้วยการบิดวนเข็มนาฬิกา ดึงออกจากตัวอุปกรณ์อย่างนุ่มนวล
  - เคาะชุดตัวกรองเบา ๆ เพื่อให้ฝุ่นหรือเศษผงที่เหลืออยู่หลุดออกก่อนทำการล้าง
  - ล้างชุดตัวกรองในน้ำเย็นเท่านั้น ห้ามใช้สารซักฟอก หรือล้างในเครื่องล้างจาน หรือในเครื่องซักผ้า
  - ล้างส่วนที่เป็นกระดาษซับของชุดตัวกรองก่อน ถอดชุดตัวกรองไว้ใต้ก๊อกน้ำเย็นโดยให้ส่วนที่เป็นโฟมอยู่ด้านล่าง แล้วเปิดก๊อกให้น้ำเย็นไหลผ่านบนกระดาษซับ
  - ล้างต่อไปจนกว่าน้ำจะใส
  - ล้างส่วนที่เป็นโฟมของชุดตัวกรองเป็นอันดับต่อไป โดยถือชุดตัวกรองไว้ใต้ก๊อกน้ำเย็นโดยให้ส่วนที่เป็นโฟมอยู่ด้านล่างเพื่อให้น้ำสกปรกไม่ปนเปื้อนกับส่วนที่เป็นกระดาษซับ เปิดน้ำเย็นให้ไหลผ่านด้านบนและด้านบนของส่วนที่

เป็นโฟมแล้วนับโฟมเบา ๆ เพื่อไล่สิ่งสกปรกออก

- ล้างต่อไปจนกว่าน้ำจะใส
  - ล้างด้านบนของชุดตัวกรอง แล้วเติมน้ำเย็นลงไปในส่วนตัวกรอง ใช้สองมือปิดด้านที่ปิดแล้วเขย่าเบา ๆ
  - ล้างส่วนประกอบต่าง ๆ ของชุดตัวกรองและด้านบนของหัวทำความสะอาด
  - เขย่าชุดตัวกรองเบา ๆ เพื่อสะบัดน้ำค้างออก แล้วปล่อยให้แห้งในอากาศ
  - โดยพลักส่วนที่เป็นโฟมขึ้นไว้ด้านบน
  - ทิ้งไว้ให้ชุดตัวกรองแห้งสนิทในสภาพแวดล้อมที่แห้ง มีลมถ่ายเทเป็นเวลาอย่างน้อย 24 ชั่วโมง
  - ตรวจสอบว่าไส้กรองแห้งสนิทดี
  - การประกอบเข้าที่ที่ใส่ชุดตัวกรองติดกลับไปที่ตัวอุปกรณ์หลักแล้วบิดหมุนตามเข็มนาฬิกาจนมีเสียงคลิกเข้าที่
- ชุดตัวกรองอาจต้องล้างบ่อยขึ้นหากใช้ดูดฝุ่นละอองละเอียด หรือใช้โหมดแรงดูดพิเศษเป็นหลัก ห้ามใส่ส่วนใดส่วนหนึ่งของอุปกรณ์ของคุณไปในเครื่องล้างจาน เครื่องซักผ้า เครื่องอบผ้า เตาอบ เตาไมโครเวฟ หรือนำไปวางไว้ใกล้กับเปลวไฟ

## การดูแลรักษาความปลอดภัยแบบลูกกลิ้งหมุนของท่าน

- หมุนหัวทำความสะอาดกลับด้าน ให้ส่วนใต้ของหัวทำความสะอาดหันมาทางท่าน ใช้เหรียญหมุนสวิตช์ถวนเข็มนาฬิกาหนึ่งส่วนสี่รอบจนกระทั่งตรงกับตำแหน่งปลดล็อก
- หมุนหมุนครอบปลายหรืออยู่ในตำแหน่งเปิด ค่อย ๆ เลื่อนแท่นชาร์จประตูดฝุ่นขนาดใหญ่ออกจากหัวทำความสะอาด
- ถอดชุดตัวกรองของแท่นชาร์จออก
- ห้ามล้างฝารอบปลาย
- ยกแท่นชาร์จขนาดใหญ่ออกจากหัวทำความสะอาด
- ถอดแท่นชาร์จประตูดฝุ่นไว้ใต้กระแสน้ำ แล้วดูเบา ๆ เพื่อกำจัดเศษสิ่งสกปรกหรือเศษวัสดุ
- ตั้งแท่นชาร์จประตูดฝุ่นทิ้งสองไว้ในแนวตั้ง ตรวจสอบให้แน่ใจว่าแท่นชาร์จประตูดฝุ่นขนาดใหญ่อยู่ในแนวตั้งตามที่แสดงในรูป ปลดปล่อยไว้เป็นเวลาอย่างน้อย 24 ชั่วโมงเพื่อให้แห้งสนิท
- ก่อนประกอบ ให้ตรวจสอบว่าแท่นชาร์จแห้งสนิทแล้ว
- ใส่แท่นชาร์จประตูดฝุ่นกลับเข้าไปในตำแหน่ง ตรวจสอบให้แน่ใจว่ามีเสียงคลิกเมื่อเข้าที่
- ติดฝารอบปลายเข้ากับแท่นชาร์จ
- เลื่อนแท่นชาร์จประตูดฝุ่นขนาดใหญ่กลับเข้าไปในหัวทำความสะอาดรอบ ๆ มอเตอร์ หมุนครอบปลายครอบอยู่ในตำแหน่งเปิดดังแสดงในรูป เมื่อใส่เข้าที่แล้ว หมุนหมุนครอบปลายกลับไปตำแหน่งปิด
- ปิดสวิตช์โดยหมุนตามเข็มนาฬิกาหนึ่งส่วนสี่รอบ ตรวจสอบให้แน่ใจว่าสวิตช์หมุนไปจนสุด และแผ่นฐานกับแท่นชาร์จประตูดฝุ่นเข้าที่แน่นสนิท

## การชาร์จและการจัดเก็บ

- อุปกรณ์นี้จะปิด "OFF" ถ้าอุณหภูมิแบตเตอรี่ต่ำกว่า 10°C (50°F) คุณลักษณะนี้ออกแบบมาเพื่อป้องกันมอเตอร์และแบตเตอรี่ ห้ามชาร์จอุปกรณ์ แล้วให้เคลื่อนย้ายอุปกรณ์ไปยังที่เก็บในบริเวณที่มีอุณหภูมิต่ำกว่า 10°C (50°F)
- เพื่อยืดอายุการใช้งานแบตเตอรี่ ให้หลีกเลี่ยงการชาร์จแบตเตอรี่ทันทีหลังจากใช้พลังงานจนหมดแล้ว ปลดปล่อยสวิตช์ให้แบตเตอรี่เย็นลงก่อน
- หลีกเลี่ยงการใช้อุปกรณ์ขณะที่แบตเตอรี่วางราบไปกับพื้นผิว วิธีนี้จะช่วยให้แบตเตอรี่ทำงานที่อุณหภูมิที่ต่ำลง หรือยืดอายุและระยะเวลาการใช้งานของแบตเตอรี่ได้อีกด้วย

## วิธีปฏิบัติเกี่ยวกับความปลอดภัยของแบตเตอรี่

- หากจำเป็นต้องเปลี่ยนแบตเตอรี่ โปรดติดต่อสายด่วนของ Dyson
- ใช้สายชาร์จ Dyson รหัสหรือรหัส 217160 หรือ 270576 เท่านั้นสำหรับชาร์จอุปกรณ์ Dyson นี้

## ⚠ ข้อควรระวัง

แบตเตอรี่ที่ใช้ในอุปกรณ์นี้อาจทำให้เกิดอันตรายจากเพลิงไหม้หรือการถูกสารเคมีฉีกขาดจากการผิดวิธี ห้ามแยกชิ้นส่วน ต่อสวิตช์วงจร ได้รับความร้อนสูงกว่า 60°C (140°F) หรือนำไปเผาทำลาย ควรเก็บให้พ้นจากเด็ก ห้ามแยกชิ้นส่วนและห้ามนำไปเผาไฟ

## ข้อมูลการจัดทำ

- ผลิตภัณฑ์ Dyson ผลิตโดยวัสดุรีไซเคิลคุณภาพสูง ให้ทำการรีไซเคิลหากเป็นไปได้
- ก่อนการนำอุปกรณ์ไปกำจัด โปรดถอดแบตเตอรี่ออกจากอุปกรณ์ก่อน
  - เมื่อแบตเตอรี่ถูกถอดออกไปแล้ว อุปกรณ์จะต้องทำการปิดสวิตช์
  - แบตเตอรี่จะต้องนำไปกำจัดอย่างถูกวิธี
- การทิ้งหรือการรีไซเคิลแบตเตอรี่ให้ปฏิบัติตามกฎระเบียบหรือข้อกำหนดของท้องถิ่น
- การทิ้งชุดตัวกรองที่ใช้แล้ว ให้ปฏิบัติตามข้อบัญญัติหรือระเบียบข้อบังคับของท้องถิ่น

## ข้อกำหนดและเงื่อนไขการรับประกัน

### ฝ่ายบริการลูกค้าของ Dyson

ขอขอบคุณที่เลือกซื้ออุปกรณ์ Dyson

หลังจากลงทะเบียนการรับประกัน 2 ปีแล้ว อุปกรณ์ Dyson ของท่านจะได้รับความคุ้มครองด้านชิ้นส่วนและแรงงานเป็นเวลา 2 ปี (ยกเว้นไส้กรอง) นับตั้งแต่วันที่ซื้อ และจะได้รับการควบคุมโดยข้อจำกัดของการรับประกัน 2 ปี อย่างไรก็ตาม สิทธิตามกฎหมายที่จำเป็นสำหรับผู้บริโภคขั้นสุดท้าย อยู่ภายใต้

กฎหมายของประเทศที่บังคับใช้กับการขาย ของสินค้าอุปโภคบริโภคจะไม่ได้รับผลกระทบจากข้อจำกัดของการรับประกัน หากท่านมีคำถามใดๆ เกี่ยวกับการใช้อุปกรณ์ Dyson ของท่าน กรุณาไปที่เว็บไซต์ [www.dyson.co.th/support](http://www.dyson.co.th/support) เพื่อค้นหาความช่วยเหลือออนไลน์ ค่าแนะนำทั่วไป และข้อมูลที่เป็นประโยชน์เกี่ยวกับ Dyson หรือท่านสามารถโทรฟรีที่ติดต่อสายด่วน Dyson เพื่อขอความช่วยเหลือ โปรดแจ้งหมายเลขซีเรียลของท่าน และรายละเอียดเวลา/สถานที่ที่ซื้อสินค้า

หากอุปกรณ์ Dyson จำเป็นต้องรับการซ่อม โปรดติดต่อสายด่วนให้ความช่วยเหลือของ Dyson เพื่อปรึกษาหาวิธีการแก้ไขที่สามารถทำได้ หากอุปกรณ์ Dyson ของท่านยังอยู่ในระยะเวลาการรับประกัน และการซ่อมแซมนั้นอยู่ภายใต้ความคุ้มครอง อุปกรณ์จะได้รับการซ่อมแซมโดยไม่มีค่าใช้จ่ายใดๆ

### โปรดลงทะเบียนในฐานะเจ้าของอุปกรณ์ Dyson

เพื่อให้มั่นใจว่าท่านจะได้รับการบริการที่มีประสิทธิภาพและทันท่วงที โปรดลงทะเบียนอุปกรณ์ Dyson ในฐานะเจ้าของ สามารถทำได้สองวิธีคือ:

- ทางอีเมล
  - ทางโทรศัพท์ติดต่อสายด่วนของ Dyson
- เพื่อเป็นการยืนยันความเป็นเจ้าของอุปกรณ์ Dyson ของท่าน ในกรณีที่เอกสารการรับประกันสูญหาย และยังคงช่วยพวกเขาสามารถติดต่อท่านได้หากจำเป็น

### การรับประกันแบบมีเงื่อนไขระยะเวลา 2 ปี

ข้อกำหนดและเงื่อนไขของ Dyson ในการรับประกันแบบมีเงื่อนไข ระยะเวลา 2 ปี

### สิ่งที่ครอบคลุมการรับประกัน

- การซ่อมหรือเปลี่ยนอุปกรณ์ Dyson ของท่าน (ขึ้นอยู่กับคุณภาพของ Dyson) หากพบข้อบกพร่องอันเนื่องมาจากวัสดุที่มีคุณภาพ ฝีมือแรงงาน หรือฟังก์ชันการใช้งาน ภายในระยะเวลา 2 ปี นับจากวันที่ซื้อหรือวันที่ส่งมอบ (หากไม่สามารถหาวันที่ได้ ในท้องตลาดหรือหลักฐานแล้ว Dyson จะเปลี่ยนเป็นอะไรก็ได้ที่เลือกแทนก็ได้)
- การรับประกันนี้จะมีผลบังคับใช้เมื่อใช้อุปกรณ์ในประเภทที่ซื้อเท่านั้น

### สิ่งที่ไม่ครอบคลุมการรับประกัน

- Dyson ไม่รับประกันการซ่อมหรือเปลี่ยนผลิตภัณฑ์ซึ่งมีข้อบกพร่องอันเนื่องมาจากสาเหตุอื่น:
- ความเสียหายที่เกิดจากอุบัติเหตุ ข้อผิดพลาดอันเนื่องมาจากการใช้งานหรือกรณีที่ประเภท การใช้งานผิดประเภท การใช้งานที่ไม่เป็นไปตามคำแนะนำ การใช้งานอย่างไม่ระวัง หรือการใช้งานเครื่องที่ไม่เป็นไปตามคำแนะนำของผู้มีผู้ใช้ Dyson

- ใช้อุปกรณ์นอกเหนือจากวัตถุประสงค์การใช้งานภายในครัวเรือนตามปกติ
  - ใช้อะไหล่ที่ไม่ได้ประกอบหรือติดตั้งตามคำแนะนำของ Dyson
  - ใช้อะไหล่หรืออุปกรณ์เสริมที่ไม่ใช่ชิ้นส่วนของแท่งจาก Dyson
  - การติดตั้งผิดวิธี (ยกเว้นเมื่อ Dyson เป็นผู้ติดตั้ง)
  - การซ่อมหรือการดัดแปลงโดยบุคคลอื่นนอกจาก Dyson หรือตัวแทนที่ได้รับอนุญาต
  - การถอดชิ้นของเครื่อง — โปรดอ้างอิงคู่มือการใช้งานของ Dyson สำหรับรายละเอียดวิธีการตรวจหาและกำจัดเศษสิ่งอุดตัน
  - การสึกหรอและสึกกร่อนตามปกติ (เช่น ฟิล์ม แถงแปรงดูดฝุ่น เป็นต้น)
  - ใช้อุปกรณ์นี้เพื่อจุดประสงค์อื่นยกเว้น กำจัด และผงฟูพลาสติก
  - ระยะเวลาการใช้งานของ แบตเตอรี่ ซึ่งลด ตาม อายุหรือสภาพการใช้งาน (ตามความเหมาะสม)
- หากท่านมีข้อสงสัยเกี่ยวกับสิ่งที่ครอบคลุมการรับประกันของท่าน โปรดติดต่อ Dyson

#### สรุปสิ่งที่ครอบคลุม

- การซ่อมหรือเปลี่ยนอุปกรณ์ Dyson ของท่านภายใต้การรับประกันนี้ จะไม่เป็นการขยายระยะเวลาประกัน
- การรับประกันเป็นการให้สิทธิประโยชน์เพิ่มเติม และไม่มีผลกระทบต่อสิทธิตามกฎหมายของท่านในฐานะผู้บริโภค
- การรับประกันจะมีผลบังคับใช้นับจากวันที่ซื้อ (หรือวันที่ส่งมอบ หากส่งมอบหลังจากวันที่ซื้อ)
- ท่านจะต้องแสดงหลักฐาน (ทั้งต้นฉบับและหลักฐานอื่นที่สร้างขึ้นในภายหลัง) เกี่ยวกับการส่ง/ซื้อสินค้า ก่อนที่อุปกรณ์ Dyson ของท่านจะได้รับการดำเนินการใด ๆ หากไม่มีหลักฐานดังกล่าว ท่านจะต้องเสียค่าใช้จ่ายในการดำเนินการต่าง ๆ โปรดเก็บใบเสร็จหรือใบส่งสินค้าไว้
- งานซ่อมทั้งหมดจะดำเนินการโดยเจ้าหน้าที่ของ Dyson หรือตัวแทนที่ได้รับอนุญาตแล้ว
- ชิ้นส่วนอะไหล่ที่ได้รับการเปลี่ยนจาก Dyson แล้ว จะตกเป็นทรัพย์สินของ Dyson

#### ข้อมูลเกี่ยวกับการป้องกันข้อมูลที่สำคัญ

เมื่อทำการลงทะเบียนผลิตภัณฑ์ Dyson ของท่าน

- ท่านจะต้องให้ข้อมูลการติดต่อที่สามารถติดต่อได้ เพื่อลงทะเบียนผลิตภัณฑ์ และช่วยให้เราสามารถสนับสนุนการประกันของท่าน
- เมื่อท่านลงทะเบียน ท่านจะได้รับโอกาสที่จะเลือกรับหรือไม่รับการติดต่อสื่อสารจากทางเรา เมื่อท่านเลือกที่จะรับการติดต่อสื่อสารจาก Dyson เราจะทำการส่งรายละเอียดข้อเสนอพิเศษและข่าวที่ชวนนถึวถรมล่าสุดต่าง ๆ ของเราไปให้
- เราไม่เคยขายข้อมูลของท่านให้กับผู้อื่น และเราใช้ข้อมูลเพียงแค่นี้ที่ให้กับเรา ตามที่เรากำหนดไว้ในนโยบายความเป็นส่วนตัวของเรา ซึ่งสามารถเข้าไปดูได้ที่เว็บไซต์ของเราที่ [privacy.dyson.com](https://www.dyson.com/privacy)

# ID

## Terima kasih telah memilih penyedot debu nirkabel Dyson

### Mengaktifkan garansi Anda

Kami tetap peduli akan mesin kami setelah mesin menjadi milik Anda. Setelah garansi gratis 2 tahun diaktifkan, penyedot debu nirkabel Dyson Anda akan dijamin suku cadang dan jasa servisnya (tidak termasuk filter) selama dua tahun sejak tanggal pembelian, sesuai dengan persyaratan garansi.

Bahkan setelah garansi Anda berakhir, kami akan siap membantu.

- Gratis suku cadang Dyson dan jasa servisnya
- Penggantian tanpa kerepotan
- Saran ahli. 7 hari seminggu.
- Video tutorial dan tips bermanfaat

Nomor seri Anda dapat ditemukan di pelat rating pada bagian bawah peralatan.

Catat nomor seri Anda untuk referensi ada kedepannya.

Ilustrasi ini hanyalah contoh.



#### Apa yang dapat kami bantu?

Memecahkan masalah  
Dapatkan tips dan panduan  
Pelajari tentang teknologi Dyson  
dan mesin-mesin Dyson lainnya  
Online:  
[www.dyson.co.id](http://www.dyson.co.id)  
Telepon:  
+62 21 5082 2950

#### Layanan pelanggan Dyson

Jika Anda memiliki pertanyaan tentang mesin nirkabel Dyson Anda, hubungi Saluran Bantuan Dyson dengan nomor seri dan rincian tempat serta kapan Anda membeli mesin tersebut, atau hubungi kami melalui situs web Dyson.

## PETUNJUK KESELAMATAN PENTING

**SEBELUM MENGGUNAKAN PERALATAN INI, BACA SEMUA PETUNJUK DAN TANDA PERINGATAN DI PETUNJUK PENGGUNAAN INI DAN PADA PERALATAN.**

Ketika menggunakan peralatan listrik, prosedur dasar harus selalu ditaati, termasuk berikut ini:

### PERINGATAN

Peringatan ini berlaku untuk peralatan, dan juga jika berlaku, untuk semua alat, aksesori, unit baterai, pengisi daya atau adaptor listrik.

UNTUK MENGHINDARI RISIKO KEBAKARAN, SENGATAN LISTRIK, ATAU CEDERA:

1. Peralatan ini tidak dimaksudkan untuk digunakan oleh orang-orang (termasuk anak-anak) dengan kemampuan fisik, sensorik atau mental yang kurang, atau kurangnya pengalaman dan pengetahuan, kecuali jika mereka diberi pengawasan atau instruksi mengenai penggunaan peralatan oleh orang yang bertanggung jawab atas keselamatan mereka.
2. Jangan biarkan alat ini dijadikan mainan. Diperlukan perhatian khusus ketika peralatan digunakan dekat anak-anak. Anak-anak harus diawasi untuk memastikan bahwa mereka tidak bermain-main dengan peralatan ini.
3. Gunakan sesuai Petunjuk Penggunaan Dyson ini. Jangan lakukan pemeliharaan selain yang ditunjukkan di dalam petunjuk ini, atau yang disarankan oleh Saluran Bantuan Dyson.
4. KHUSUS penggunaan di tempat kering. Jangan gunakan di luar ruangan atau di atas permukaan basah.
5. Jangan memegang bagian mana pun dari pengisi daya atau peralatan dengan tangan basah.
6. Jangan gunakan dengan pengisi daya atau kabel yang rusak.
7. Apabila peralatan tidak bekerja sebagaimana seharusnya, telah terkena benturan, terjatuh, rusak, dibiarkan di luar ruangan, atau terjatuh ke dalam air, jangan gunakan dan hubungi Saluran Bantuan Dyson.

8. Hubungi Saluran Bantuan Dyson bila memerlukan servis atau perbaikan. Jangan membongkar peralatan karena pemasangan kembali yang tidak tepat dapat mengakibatkan sengatan listrik atau kebakaran.
9. Jangan meregangkan kabel atau membebaniya. Jauhkan kabel dari permukaan panas. Jangan sampai kabel terjepit pintu, atau menarik kabel memutar tepi tajam atau sudut. Jauhkan kabel dari area lalu lintas dan letakkan di tempat orang tidak menginjak atau tersandung olehnya. Jangan melindas kabel.
10. Jangan gunakan untuk menyedot air.
11. Jangan gunakan untuk menyedot cairan yang mudah terbakar atau mudah meledak, seperti bensin, atau di tempat-tempat yang terdapat cairan tersebut atau uapnya.
12. Jangan menyedot benda apa pun yang menyala atau berasap, seperti rokok, korek api, atau abu panas.
13. Jauhkan rambut, pakaian longgar, jari, dan semua bagian tubuh dari bukaan dan bagian-bagian bergerak, seperti batang sikat. Jangan arahkan selang, tongkat, atau alat ke mata atau telinga, atau memasukkannya ke mulut Anda.
14. Jangan letakkan benda apa pun di bukaan. Jangan gunakan dalam keadaan bukaan tersumbat; bersihkan dari debu, serat kain, rambut, dan apa pun yang dapat menghambat aliran udara.
15. Hanya gunakan aksesoris dan suku cadang pengganti yang direkomendasikan Dyson.
16. Jangan gunakan tanpa penampung kotoran dan filter terpasang.
17. Cabut steker jika tidak digunakan dalam waktu lama dan sebelum pemeliharaan atau servis.
18. Gunakan dengan lebih berhati-hati ketika membersihkan tangga.
19. Untuk mencegah agar peralatan ini dinyalakan tidak disengaja, berhati-hatilah menjauhkan tangan dan jari Anda dari pemacu 'ON' hingga Anda siap untuk memulai vakum, khususnya saat mengangkat atau membawa peralatan. Membawa peralatan dengan jari kita di pemacu 'ON' dapat menyebabkan kecelakaan.
20. Jangan memasang, mengisi daya, atau menggunakan pengisap debu Dyson di luar ruangan, di kamar mandi, atau 3 meter (10 kaki) dari kolam renang. Jangan gunakan di atas permukaan basah, dan jangan terkena lembap, hujan, atau salju.
21. Saat melepaskan atau memasang kembali bilah sikat bermotor, berhati-hatilah untuk tidak menarik pemacu 'ON' hingga kepala pembersih telah dirakit kembali.
22. Jangan gunakan baterai atau mesin yang rusak atau dimodifikasi. Baterai yang rusak atau dimodifikasi dapat menunjukkan perilaku yang tidak terduga yang mengakibatkan kebakaran, ledakan, atau risiko cedera. Jangan memaparkan baterai atau mesin ke api atau suhu yang berlebihan. Paparan ke api atau suhu di atas 60°C dapat menyebabkan ledakan.
23. Gunakan hanya pengisi daya Dyson, nomor komponen 217160 atau 270576 untuk mengisi daya peralatan ini. Gunakan hanya Baterai Dyson Nomor Komponen 355983 untuk peralatan ini. Jenis baterai lainnya dapat meledak, mengakibatkan kebakaran dan menyebabkan cedera pada orang dan kerusakan.
24. Lepaskan sambungan unit baterai dari peralatan sebelum membersihkan, melakukan perawatan, atau menyimpan mesin untuk waktu yang lama.
25. Saat unit baterai tidak digunakan, jauhkan dari objek metal lainnya, seperti klip kertas, koin, kunci, paku, sekrup, atau objek metal kecil lainnya, yang bisa menghubungkan dari satu terminal ke terminal lainnya. Melakukan hubungan pendek antara terminal baterai dapat menyebabkan kebakaran besar atau kecil.
26. Baterai harus dilepaskan dari peralatan dan dibuang dengan aman sesuai dengan peraturan dan regulasi setempat.
27. Unit baterai adalah unit yang disegel dan dalam kondisi normal tidak menimbulkan masalah keamanan. Jika cairan bocor dari unit baterai, jangan sentuh cairan karena dapat menyebabkan iritasi atau luka bakar, dan perhatikan tindakan pencegahan berikut:
  - Mengenai kulit – dapat menyebabkan iritasi. Cuci dengan sabun dan air.
  - Pernapasan – dapat menyebabkan iritasi pernapasan. Bernapaslah dengan udara segar dan cari bantuan pengobatan.
  - Mengenai mata – dapat menyebabkan iritasi. Segera basuh mata dengan air secara menyeluruh setidaknya 15 menit. Cari saran dokter.
  - Pembuangan – gunakan sarung tangan untuk menangani unit baterai dan segera buang, mengikuti peraturan atau aturan setempat.
28. Ikuti semua instruksi pengisian daya dan silakan lihat bagian mengganti baterai Anda untuk cara mengganti baterai. Jangan mengisi daya unit baterai atau mesin di luar kisaran suhu yang ditentukan dalam instruksi. Pengisian daya yang tidak tepat atau pada suhu di luar



kisaran yang ditentukan dapat merusak baterai dan meningkatkan risiko kebakaran. Untuk memastikan masa pakai baterai yang maksimal, Dyson menyarankan hal-hal berikut:

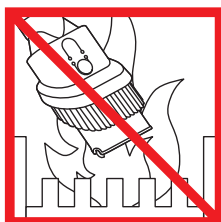
- Jika tidak digunakan, peralatan harus disimpan dalam suhu ruang. Rentang yang disarankan: 18°C hingga 28°C.
- Rentang suhu ambien untuk pengoperasian dan pengisian harus berkisar antara 10°C hingga 30°C.

29. PERINGATAN KEBAKARAN – Jangan letakkan produk ini di atas atau di dekat kompor atau permukaan panas lainnya dan jangan musnahkan peralatan ini dengan cara dibakar walaupun rusak parah. Baterainya dapat terbakar atau meledak.

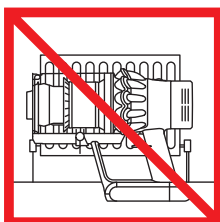
30. PERINGATAN KEBAKARAN – Jangan memberikan pewangi atau produk pengharum ke filter peralatan ini. Zat kimia dalam produk semacam ini diketahui mudah terbakar dan dapat menyebabkan peralatan tersulut api.

## BACA DAN SIMPAN PETUNJUK INI

Peralatan Dyson ini dimaksudkan hanya untuk penggunaan rumah tangga.



Jangan digunakan di dekat api terbuka.



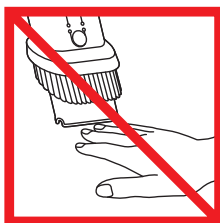
Jangan disimpan atau diisi dayanya di dekat sumber panas.



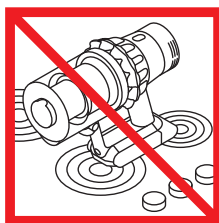
Jangan menyedot air atau cairan.



Jangan menyedot benda terbakar.

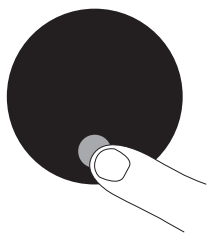


Jangan letakkan tangan di dekat batang sikat ketika peralatan sedang digunakan.



Jangan letakkan di atas atau di dekat kompor.

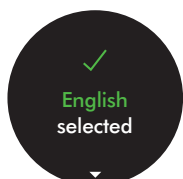
# Layar



## Menu pengaturan

Kendalikan pengaturan pada mesin Anda menggunakan tombol Pemilihan. Untuk masuk ke menu pengaturan, tekan dan tahan tombol hingga layar menu muncul. Ketuk untuk menggulir opsi yang tersedia.

## Mengatur bahasa Anda



Sebelum menggunakan mesin, Anda perlu mengatur opsi bahasa yang diinginkan.

Anda bisa terus menggunakan mesin Anda tanpa mengatur bahasa, namun Anda akan disarankan setiap saat melepaskan pemicu.

Untuk mengatur bahasa, ketuk tombol Pemilihan untuk mengaktifkan layar.

Ketuk tombol untuk bergulir ke daftar bahasa ke bahasa yang diinginkan. Tekan dan tahan tombol hingga hitung mundur selesai untuk mengatur bahasa.

Untuk membatalkan pemilihan Anda, lepaskan tombol selama menghitung mundur.

Tanda centang hijau akan muncul di layar untuk menunjukkan bahwa pemilihan bahasa telah selesai.

Anda bisa mengakses daftar lengkap dari bahasa yang tersedia dengan memilih 'Lainnya+' dari daftar bahasa.

## Mengubah bahasa

Ikuti langkah-langkah di dalam pengaturan bahasa untuk mengubah bahasa Anda.

## Ubah pengaturan peringatan



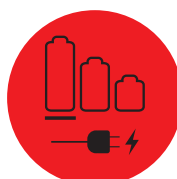
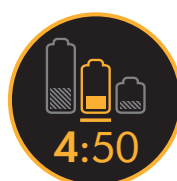
Ketuk untuk menggulir ke menu pengaturan. Pilih opsi menu 'Peringatan'.

Gulir untuk memilih Nyala dan Mati. Tahan tombol Pemilihan hingga menghitung mundur selesai dan tanda muncul di layar.

## Keluar dari menu pengaturan

Untuk keluar dari menu pengaturan, ketuk untuk bergulir ke menu pengaturan. Pilih 'Keluar menu'.

## Baterai lemah



Mesin Anda akan berdetak tiga kali dan ikon baterai lemah muncul di layar untuk memperingatkan Anda jika baterai perlu diganti.

Saat baterai Anda habis, ikon peringatan terakhir akan muncul di layar.

## Kondisi baterai



Maksimalkan kinerja dan usia baterai Anda menggunakan mode Eco atau Auto/Med.

## Peringatan

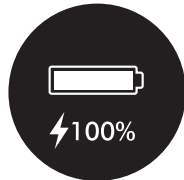
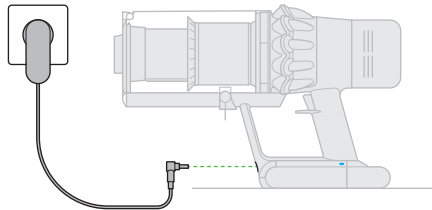
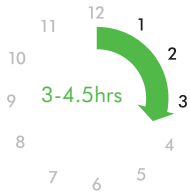
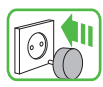
Peringatan akan muncul di layar saat mesin Anda perlu perhatian.

Ikon filter akan memperingatkan Anda saat filter tidak terpasang dengan benar atau perlu dibersihkan.

Ikon penyumbatan akan memperingatkan Anda saat penyumbatan perlu dibersihkan dari mesin.

## Mengisi ulang daya dan menyimpan mesin Anda

Penting untuk mengisi penuh daya mesin baru Anda sebelum menggunakannya untuk pertama kali dan setelah setiap pembersihan. Ini karena algoritma sistem baterai dan pemantauan 'belajar' dari waktu ke waktu, dan mengisi penuh daya mesin Anda akan membantunya untuk menghitung secara lebih akurat dan menampilkan sisa waktu pengoperasian.

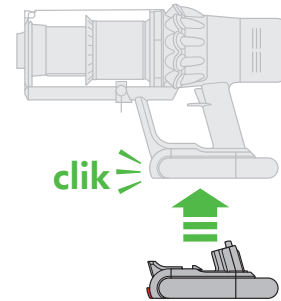
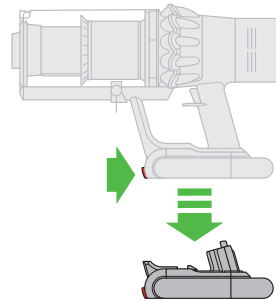


Sambungkan ke pengisi daya secara langsung atau ke stasiun dok. LED biru di kedua sisi baterai akan berkedip selama pengisian daya. Ketika daya baterai terisi penuh, kedua LED akan menyala selama 5 detik.

Baterai diisi saat tampilan menunjukkan status baterai 100%. Baterai kosong dan perlu isi daya. Mesin Anda tidak akan beroperasi jika suhu sekitar di bawah 0°C. Hal ini dirancang untuk melindungi motor dan baterai.

## Mengganti baterai Anda

Untuk menjaga kinerja yang sama pada kedua baterai, kami merekomendasikan untuk mengganti keduanya.



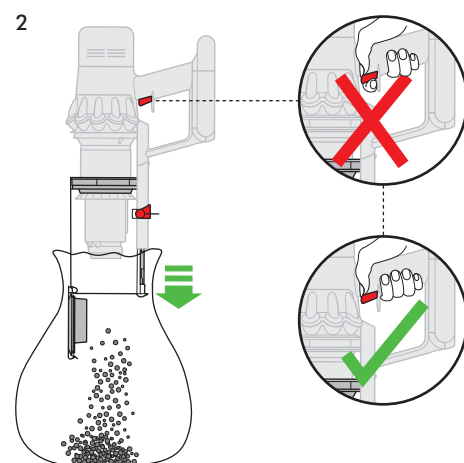
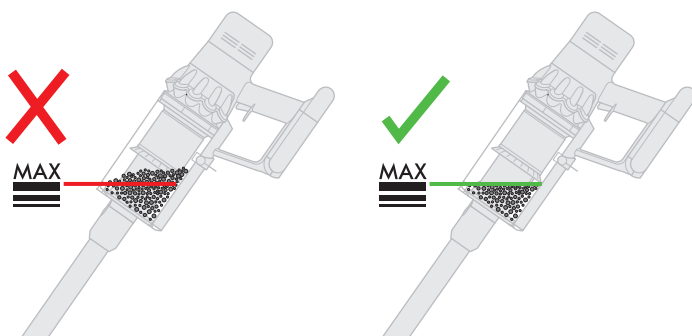
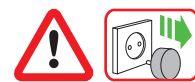
### Untuk melepas baterai

Posisikan tangan Anda di bawah baterai untuk menahannya. Tekan tombol pelepas baterai dan geser baterai dari pegangannya. Pasang baterai.

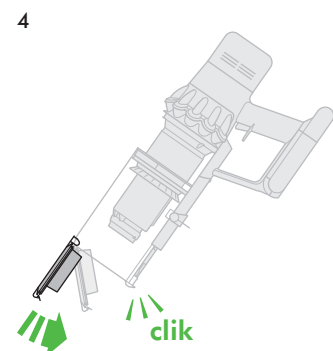
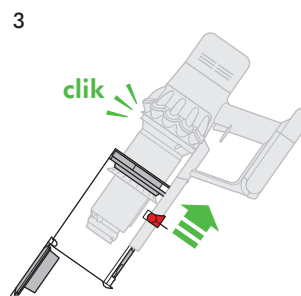
### Untuk memasang baterai

Geser baterai ke arah pegangannya sampai benar-benar terpasang ditandai dengan bunyi klik.

## Mengosongkan wadah sampah bening

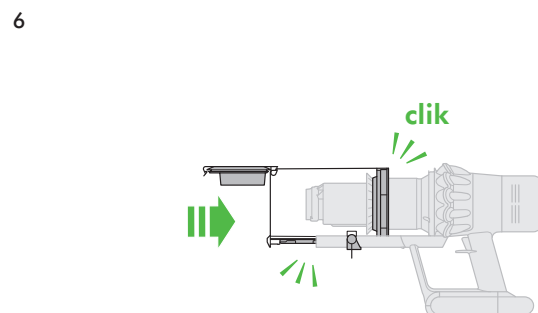
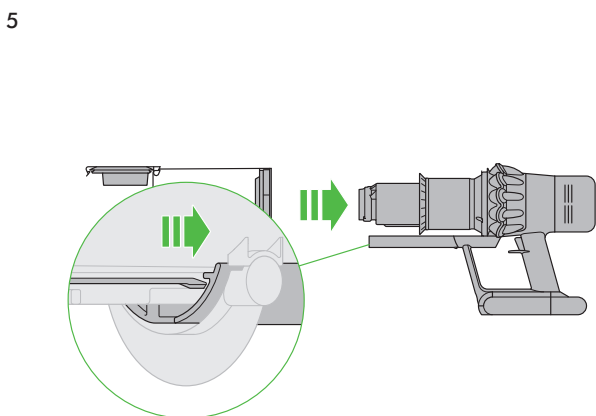
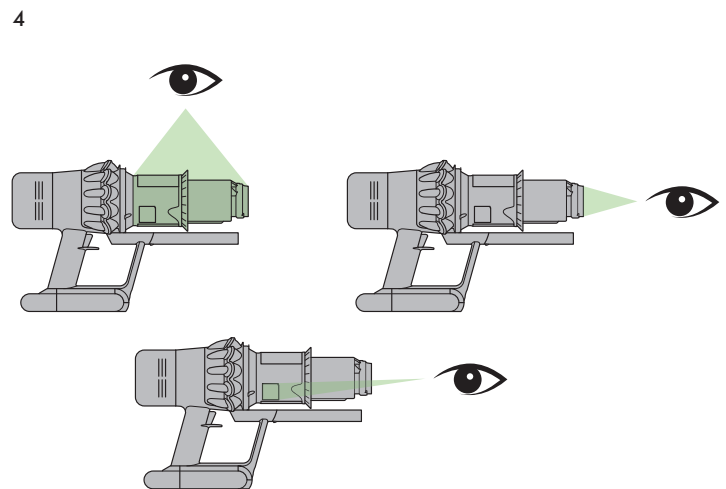
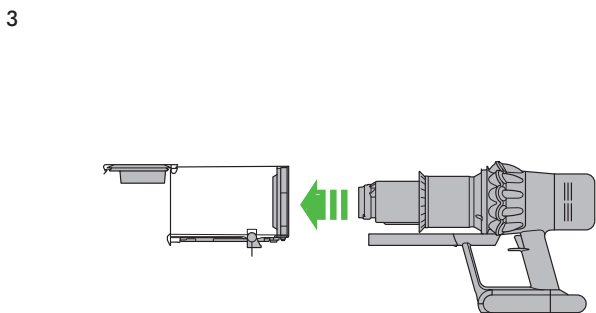
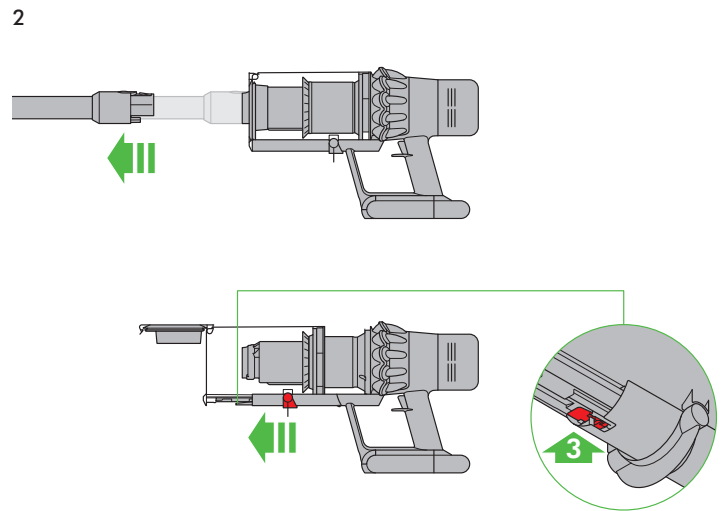
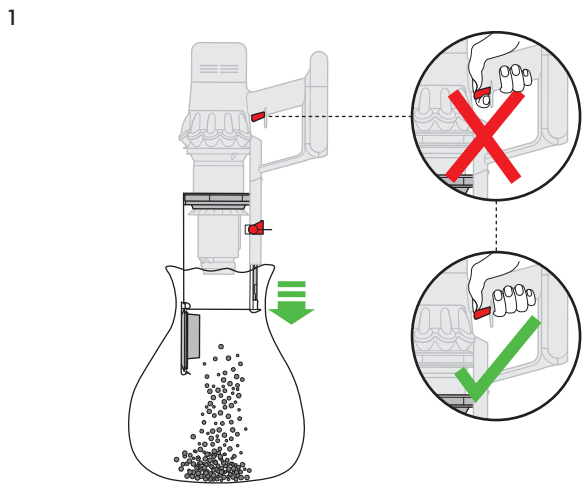
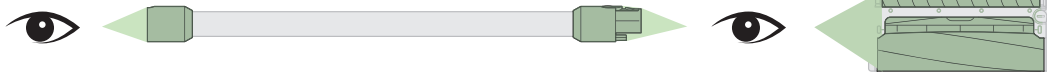
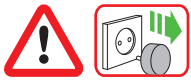


Berhati-hatilah untuk tidak menarik pemicu daya saat wadah sampah bening dibuka untuk pengosongan.



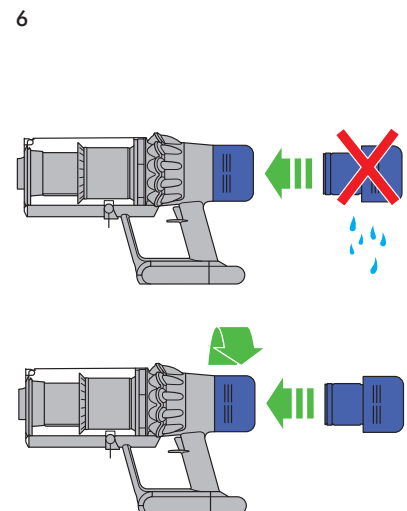
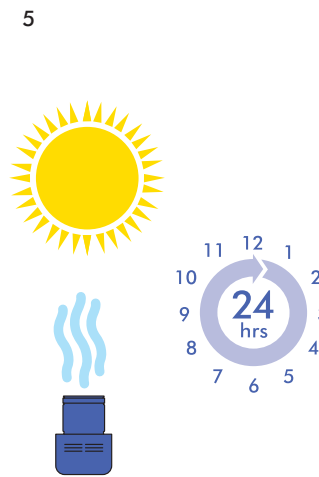
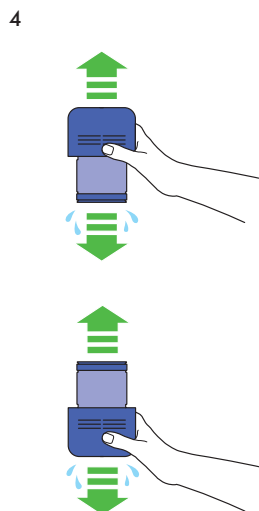
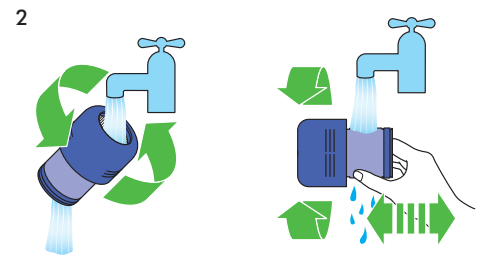
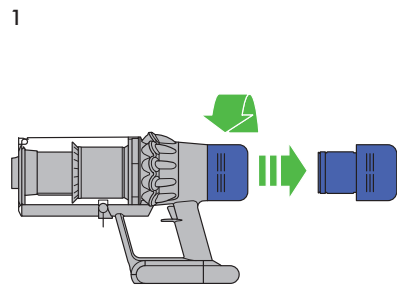
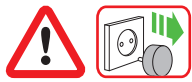
Tutup wadah sampah bening dengan menekan alas penampung ke atas hingga wadah sampah bening dan alas penampung berbunyi klik di tempatnya.

# Mencari penyumbatan

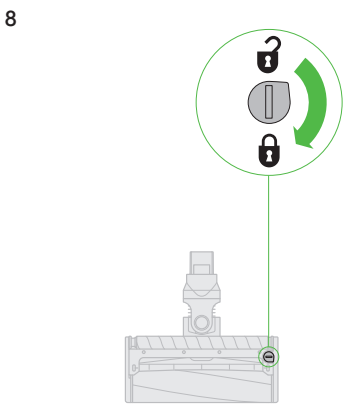
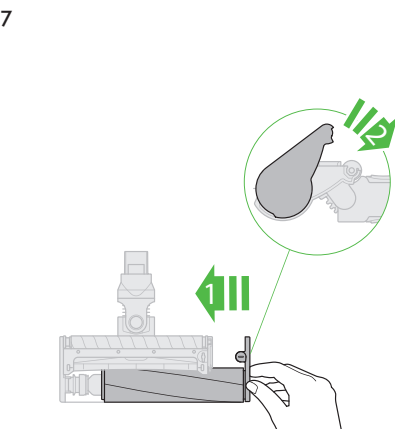
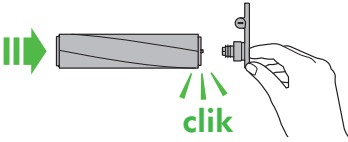
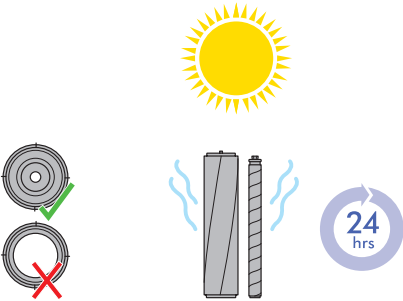
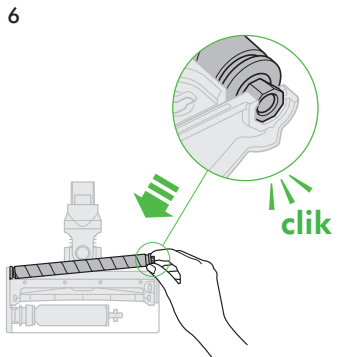
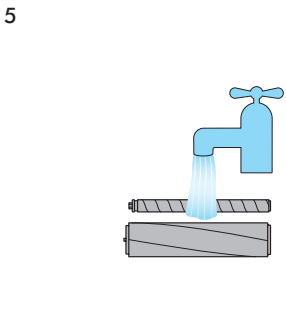
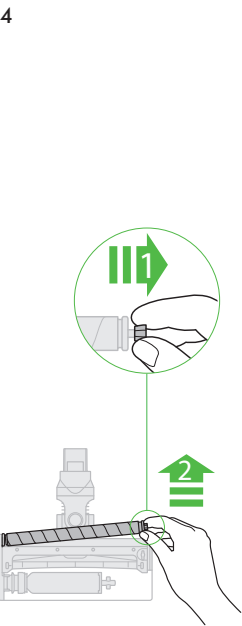
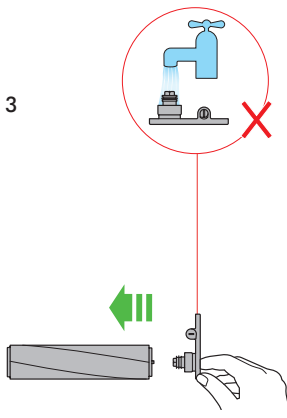
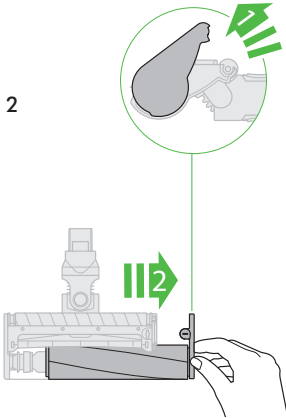
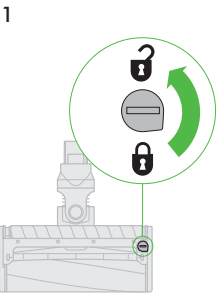


Tutup wadah sampah bening dengan menekan alas penampung ke atas hingga wadah sampah bening dan alas penampung berbunyi klik di tempatnya.

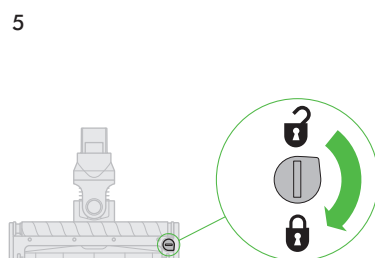
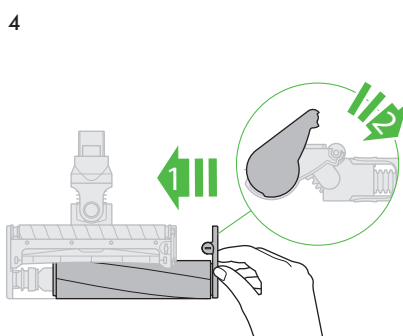
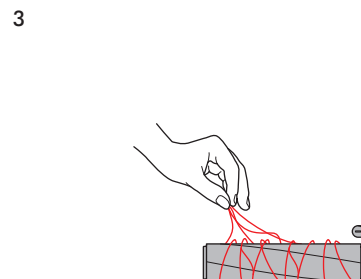
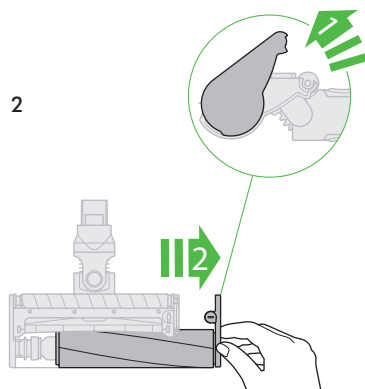
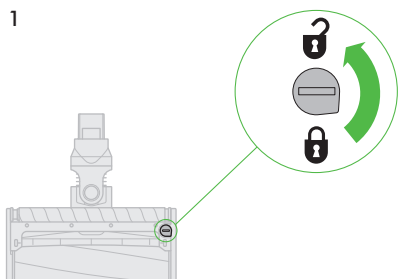
# Mencuci unit filter



# Soft roller cleaner head maintenance – washing the brush bars



# Pemeliharaan kepala pembersih rol lembut - membersihkan penyumbatan



# Informasi tambahan

Baca 'Petunjuk Penting Keselamatan' di dalam Petunjuk Penggunaan Dyson ini sebelum melanjutkan.

## Pemasangan stasiun dok

- Buka kemasan stasiun dok, pengisi daya, dan brosur instalasi.
- Pilih lokasi stasiun dok dan pastikan bahwa tidak ada sistem pipa (gas, air atau udara), kabel listrik, kabel atau sistem saluran belakang di belakang lokasi dudukan.
- Jangan letakkan stasiun dok di dekat sumber panas seperti penanak nasi, radiator atau di bawah sinar matahari langsung.
- Ikuti instruksi pada brosur instalasi.
- Pasang alat ke dalam tempatnya di stasiun dok hingga berbunyi klik.
- Tempatkan mesin pada stasiun dok.
- Sambung pengisi daya ke stopkontak listrik induk. Hidupkan (bila perlu) untuk mengisi daya baterai.

Penting untuk mengisi daya baterai hingga penuh sebelum digunakan untuk pertama kali, dan setiap selesai penggunaan mesin.

Stasiun dok harus dipasang sesuai dengan regulasi dan peraturan/standar yang berlaku (hukum negara bagian dan setempat mungkin berlaku).

Dyson merekomendasikan penggunaan pakaian, kacamata, dan bahan pelindung saat pemasangan stasiun dok.

## Menggunakan mesin Anda

- Pastikan bahwa bagian bawah kepala atau alat pembersih bersih dan bebas dari benda asing yang dapat mengakibatkan kerusakan.
- Sebelum menyedot lantai, permadani, dan karpet, periksa petunjuk pembersihan yang disarankan produsen.
- Bilah sikat pada peralatan Dyson dapat merusak jenis karpet dan lantai tertentu. Bulu-bulu pada beberapa jenis karpet akan rusak jika batang sikat berputar digunakan saat penyedotan. Jika ini terjadi, kami menyarankan mengisap debu tanpa perangkat-lantai bermotor dan konsultasikan dengan produsen lantai Anda.

## Mengosongkan wadah sampah bening

- Kosongkan segera setelah kotoran mencapai tanda MAX – jangan sampai terlalu penuh. Menggunakan mesin saat kotoran di atas garis MAX dapat menyebabkan kotoran mencapai filter dan pemeliharaan yang lebih sering akan diperlukan.
- Berhati-hatilah untuk tidak menarik pemacu daya saat wadah sampah bening dibuka untuk pengosongan.
- Tekan tombol pelepas tongkat merah dan tarik dari penampung.
- Untuk melepaskan kotoran:
  - Pegang mesin dengan penampung pada posisi ke bawah.
  - Tekan kuat-kuat tombol pelepas penampung warna merah.
  - Penampung akan menggeser ke bawah sambil membersihkan selubung.
  - Alas penampung akan terbuka.
  - Alas penampung tidak akan terbuka jika tombol merah tidak sepenuhnya ditekan ke bawah.

Untuk meminimalisir kontak dengan debu/penyebab alergi, bungkus erat tabung transparan dengan kantong anti debu dan kosongkan. Keluarkan penampung kotoran dengan hati-hati dari kantong. Tutup kantong dengan rapat, buang seperti biasanya.

- Untuk menutup wadah sampah bening:
  - Tekan dasar wadah sampah ke atas sampai wadah sampah bening dan dasar wadah sampah pas di tempatnya.

## Membersihkan wadah sampah bening

Jika perlu membersihkan wadah sampah bening, kosongkan wadah seperti yang ditunjukkan di bagian 'Mengosongkan wadah sampah bening':

- Tekan tombol merah yang terletak pada rel penampung untuk melepaskan dan menggeser penampung dari rel.
- Bersihkan penampung kotoran hanya dengan kain lembap.
- Pastikan bahwa penampung kotoran dan penutup kering sepenuhnya sebelum pemasangan kembali.
- Untuk memasang kembali penampung kotoran:
  - Pasang punggung ke rel penampung.
  - Tutup penampung kotoran dengan menekan alas penampung ke atas hingga penampung kotoran dan alas penampung terpasang di tempatnya ditandai dengan bunyi klik.

Penampung kotoran tidak boleh dimasukkan ke dalam pencuci piring dan penggunaan deterjen, pemoles atau pewangi untuk membersihkan penampung kotoran tidak direkomendasikan karena dapat merusak mesin Anda.

## Mencari penyumbatan

- Mesin Anda dilengkapi dengan pemutus otomatis.
- Jika ada bagian mana pun yang tersumbat peralatan bisa mati secara otomatis.
- Motor akan bergetar dan layar LCD akan mengindikasikan adanya penyumbatan.
- Diamkan hingga dingin sebelum mencari sumber sumbatan.
- Berhati-hatilah untuk tidak menarik pemacu 'ON' selama mencari penyumbatan. Pastikan setiap penyumbatan bersih dan semua komponen terpasang dengan benar sebelum menggunakan mesin Anda.
- Waspadai benda tajam ketika memeriksa penyumbatan.
- Pembersihan penyumbatan tidak dicakup oleh garansi Dyson Anda.
- Untuk memeriksa adanya penyumbatan dalam bodi utama mesin, lepaskan wadah sampah bening sesuai petunjuk di bagian 'Mengosongkan wadah sampah bening' dan bersihkan semua sumbatan.

- Jika Anda tidak dapat membersihkan penyumbatan dari kepala pembersih, Anda mungkin perlu melepaskan bilah sikat. Gunakan koin untuk membuka kunci pengait, geser bilah sikat dari kepala pembersih dan bersihkan penghambat. Lepaskan bilah sikat dan kencangkan pengunci agar aman. Pastikan bilah sikat terpasang mantap sebelum Anda menggunakan mesin.
- Mesin ini memiliki sikat berserat karbon. Berhati-hati jika menyentuhnya, karena dapat menyebabkan iritasi kulit ringan. Cuci tangan setelah memegangnya.

## Mencuci unit filter

Untuk selalu mendapatkan kinerja terbaik dari mesin Anda, penting untuk membersihkan filter secara teratur dan periksa penyumbatan.

Tampilan LCD akan memperingatkan Anda jika unit filter perlu dicuci. Kami menyarankan agar Anda mencuci filter setidaknya sekali dalam sebulan atau saat mesin Anda memperingatkan.

- Lepaskan unit filter dengan memutarnya berlawanan arah jarum jam. Tarik dari alat dengan perlahan.
- Ketuk-ketuk unit filter secara perlahan untuk membersihkan sisa debu dan serpihan sebelum mencucinya.
- Cuci unit filter hanya dalam air dingin.
- Cuci elemen kertas berlipit dari unit filter terlebih dahulu; tahan unit filter di bawah keran air dingin dengan elemen busa menghadap ke bawah dan buka keran agar air dingin menyiram kertas berlipit tersebut.
- Cuci elemen busa di unit filter berikutnya; tahan unit filter di bawah keran air dingin dengan elemen busa menghadap ke bawah sehingga air kotor tidak mengotori elemen kertas berlipit tersebut. Nyalakan air dingin melewati sisi dalam dan sisi luar elemen busa dan peras busa secara perlahan untuk mengeluarkan kotoran.
- Ulangi pencucian kedua komponen unit filter hingga air jernih.
- Secara perlahan guncang unit filter untuk menghilangkan sisa air dan membiarkan ujung elemen busa menghadap ke atas.
- Biarkan unit filter mengering sepenuhnya dalam lingkungan yang kering dengan aliran udara yang baik, selama minimum 24 hours.
- Pastikan bahwa unit filter kering sepenuhnya.
- Untuk memasang kembali,embalikan unit filter ke bodi utama peralatan dan putar searah jarum jam hingga terdengar terkunci di tempatnya.

Unit filter mungkin akan perlu lebih sering dicuci jika menyedot debu halus atau jika banyak menggunakan mode Boost.

Jangan meletakkan bagian apapun dari alat Anda di mesin pencuci piring, mesin cuci, mesin pengering, oven, microwave atau di dekat nyala api.

## Merawat kepala pembersih Rol lembut

- Balikkan kepala pembersih sehingga sisi bawah kepala pembersih menghadap ke Anda. Gunakan koin untuk memutar pengait seperempat putaran berlawanan arah jarum jam hingga klik ke posisi terbuka.
- Putar penutup ujung ke posisi terbuka. Geser bilah sikat besar dengan lembut menjauh dari kepala pembersih.
- Lepaskan penutup ujung dari bilah sikat besar.
- Jangan cuci penutup ujung.
- Angkat bilah sikat kecil keluar dari kepala pembersih.
- Pegang bilah sikat di bawah air mengalir dan gosok dengan lembut untuk melepaskan serat kain atau kotoran.
- Berdirikan kedua bilah sikat. Pastikan bahwa bilah sikat besar berdiri tegak sesuai gambar. Diamkan untuk mengeringkan sepenuhnya selama minimal 24 jam.
- Sebelum penggantian, periksa untuk memastikan bahwa bilah sikat telah kering sepenuhnya.
- Letakkan bilah sikat kecil kembali ke dalam posisinya dan pastikan pas di tempatnya.
- Pasang kembali penutup ujung ke bilah sikat utama.
- Geser bilah sikat besar kembali ke kepala pembersih. Putar di sekitar motor. putar penutup ujung kembali ke posisi tertutup.
- Tutup pengait dengan memutarnya seperempat putaran searah jarum jam. Pastikan bahwa pengait terpasang sepenuhnya, bilah sikat terpasang di tempatnya dengan baik.

## Mengisi daya dan menyimpan

- Mesin ini akan 'MATI' bila suhu baterai berada di bawah 10°C. Ini dirancang untuk melindungi motor dan baterai. Jangan mengisi daya mesin dan kemudian memindahkannya ke area dengan suhu rendah di bawah 10°C untuk tujuan penyimpanan.
- Untuk memperpanjang usia baterai, hindari mengisi ulang dayanya segera setelah daya dikosongkan sampai habis. Biarkan dingin selama beberapa menit.
- Hindari penggunaan peralatan dengan baterai menyentuh permukaan. Ini akan membantu baterai mendingin dan memperpanjang masa pakai dan usia baterai.

## Petunjuk keselamatan baterai

- Jika baterai perlu diganti, hubungi Saluran Bantuan Dyson.
- Gunakan pengisi daya Dyson Nomor Komponen 217160 atau 270576 saja untuk mengisi daya peralatan Dyson ini.
- Gunakan hanya baterai Dyson Nomor Komponen 355983 untuk mesin Dyson ini. Jenis baterai lain dapat meledak yang menyebabkan kebakaran dan cedera diri dan kerusakan.

## PERHATIAN

Baterai yang digunakan dalam perangkat ini dapat menimbulkan risiko kebakaran atau luka bakar kimiawi jika perlakuannya tidak benar. Jangan membongkar, melakukan sambungan pendek, atau memanaskannya di atas 60°C, atau pun membakarnya. Jauhkan dari anak-anak. Jangan membongkar dan membuangnya ke dalam api.

## Informasi pembuangan

- Produk-produk Dyson terbuat dari bahan berkualitas tinggi yang dapat didaur ulang. Sedapat mungkin, lakukanlah daur ulang.
- Sebelum membuang peralatan, lepaskan baterai dari peralatan.
- Buang atau daur ulang baterai sesuai dengan peraturan setempat.
- Buang unit filter yang habis pakai sesuai dengan peraturan atau hukum setempat.



### Layanan pelanggan Dyson

Terima kasih telah membeli mesin Dyson

Setelah Anda mendaftarkan garansi 2 tahun, mesin Dyson Anda akan ditanggung suku cadang (tidak termasuk filter) dan jasa perbaikannya selama 2 tahun dari tanggal pembelian, sesuai dengan persyaratan jaminan. Namun demikian, hak hukum konsumen akhir yang tidak dapat dikesampingkan berdasarkan undang-undang nasional yang berlaku yang mengatur penjualan barang-barang konsumen tidak terpengaruh oleh ketentuan jaminan. Jika Anda memiliki pertanyaan mengenai mesin Dyson Anda, kunjungi [www.dyson.co.id/support](http://www.dyson.co.id/support) untuk bantuan online, tips umum, dan informasi berguna lainnya mengenai Dyson.

Atau, Anda dapat menghubungi Saluran Bantuan Dyson dengan nomor seri dan perincian dari mana dan kapan Anda membeli produk tersebut.

Jika mesin Dyson Anda memerlukan perbaikan, hubungi Saluran Bantuan Dyson agar kita dapat membahas opsi-opsi yang tersedia. Jika mesin Dyson Anda dalam garansi, dan perbaikan dicakup, perbaikan akan diberikan secara gratis.

### Garansi terbatas 2 tahun

Syarat dan ketentuan dari garansi terbatas 2 tahun Dyson

#### Apa saja yang termasuk garansi

- Perbaikan atau penggantian peralatan Dyson Anda (atas kebijakan Dyson) apabila ditemukan cacat akibat ketidaksempurnaan bahan, pengerjaan, atau fungsi dalam kurun waktu 2 tahun sejak tanggal pembelian atau penyerahan (jika suku cadang sudah tidak lagi tersedia atau tidak lagi diproduksi maka Dyson akan menggantinya dengan suku cadang yang berfungsi sama).
- Garansi ini berlaku hanya bila peralatan digunakan di negara tempat mesin tersebut dijual.

#### Apa saja yang tidak termasuk garansi

Dyson tidak menjamin perbaikan atau penggantian produk jika kerusakan di akibatkan oleh:

- Kerusakan yang tidak disengaja, kesalahan yang disebabkan oleh kelalaian penggunaan, penyalahgunaan, kelalaian, pengoperasian secara tidak hati-hati, atau penanganan mesin yang tidak sesuai dengan Petunjuk Penggunaan Dyson.
- Penggunaan mesin untuk apa pun selain dari keperluan rumah tangga sehari-hari.
- Penggunaan suku cadang yang tidak dirakit atau dipasang sesuai petunjuk dari Dyson.
- Penggunaan suku cadang dan aksesoris yang bukan komponen asli Dyson.
- Pemasangan tidak sempurna (kecuali dipasang oleh Dyson).
- Perbaikan atau perubahan yang dilakukan oleh pihak-pihak selain dari Dyson atau agen-agen resminya.
- Penyumbatan - silakan baca Petunjuk Penggunaan Dyson untuk informasi cara mencari dan mengatasi penyumbatan.
- Keausan karena pemakaian sehari-hari (mis. sekring, bilah sikat, dll.)
- Penggunaan peralatan ini pada puing-puing, abu, campuran semen.
- Berkurangnya daya baterai karena usia baterai atau pemakaian (sesuai ketentuan).

Jika Anda ragu dengan apa yang dicakup oleh garansi, silakan hubungi Dyson.

#### Ringkasan jaminan

- Garansi berlaku dari tanggal pembelian (atau tanggal pengiriman produk).
- Anda harus memberikan bukti pembelian (baik asli maupun salinan) sebelum pekerjaan perbaikan dilakukan pada mesin Dyson Anda. Tanpa bukti pembelian tersebut, semua pekerjaan yang dilakukan akan dikenakan biaya. Simpan bukti pembelian nota tanda terima atau ota catatan penyerahan.
- Semua pekerjaan akan dilakukan oleh Dyson atau agen resminya.
- Suku cadang yang diganti oleh Dyson akan menjadi milik Dyson.
- Perbaikan atau penggantian peralatan Dyson yang ada dalam garansi tidak akan memperpanjang masa garansi.
- Garansi memberikan manfaat yang bersifat tambahan dan tidak memengaruhi hak Anda sebagai konsumen berdasarkan hukum.

#### Informasi perlindungan data penting

Saat mendaftarkan mesin Dyson Anda:

- Anda harus memberikan data pribadi untuk mendaftarkan produk untuk memperoleh dukungan garansi dari kami.
- Setelah mendaftar, Anda punya kesempatan untuk memilih apakah Anda ingin menerima komunikasi dari kami atau tidak. Jika Anda memilih untuk menerima komunikasi dari Dyson kami akan mengirimkan informasi perihal penawaran istimewa dan kabar inovasi terbaru dari kami.
- Kami tidak akan menggunakan informasi data pribadi Anda kepada pihak ketiga, kami hanya menggunakan informasi yang Anda bagikan dengan kami sebagaimana ditentukan oleh kebijakan privasi kami yang tersedia di situs web kami di [privacy.dyson.com](http://privacy.dyson.com).







Registering your free 2-year guarantee is available online in most areas. Alternatively, please contact your local Dyson expert on the number listed below.

Dyson customer care

If you have a question about your Dyson machine, contact us via the Dyson website or call the Dyson Helpline with your serial number and details of where and when you bought the machine.

您可以上网注册您的两年免费保修。或者通过下列电话与当地的戴森产品专家联系。

戴森客户关怀

关于戴森产品，如果您有任何问题，请拨打戴森客户关怀热线，将产品序列号和购买产品的详细时间和地点信息提供给我们，通过戴森官网与我们联系。大多数地区的使用者可以上网注册两年免费保固。或者透过下列的电话与当地的戴森产品专家联络。

戴森客户服务

如果您对戴森产品有任何疑问，请透过戴森网站联络我们，或拨打戴森服务专线，并提供产品序号及购买地点与时间等资讯。

2년 무상 보증을 온라인에서 등록하십시오. 또는, 아래 번호로 연락하여 다이슨 전문가를 통해서 등록 가능합니다.

다이슨 고객 관리

구입하신 다이슨 제품에 대해 문의사항이있는 경우 다이슨 웹 사이트 또는 카카오톡을 통해 연락하시거나 일련번호와 구입 매장, 구입일에 관한 상세 정보를 준비하여 다이슨 헬프라인으로 전화하시기 바랍니다.

การลงทะเบียนการรับประกัน 2 ปีฟรีของคุณมีให้บริการออนไลน์ในพื้นที่ส่วนใหญ่ หรือติดต่อผู้เชี่ยวชาญ Dyson ในประเทศของคุณตามหมายเลขด้านล่าง

ฝ่ายบริการลูกค้า Dyson

หากมีข้อสงสัยเกี่ยวกับอุปกรณ์ Dyson ของท่าน โปรดติดต่อเราผ่านเว็บไซต์ Dyson โดยแจ้งหมายเลขซีเรียลและรายละเอียดสถานที่ และวันที่ซื้ออุปกรณ์

Untuk mendaftarkan garansi gratis 2 tahun anda, bisa dilakukan secara online di beberapa area. Sebagai alternatif, silahkan menghubungi Dyson di area anda sesuai nomor dibawah ini.

Layanan pelanggan Dyson

Jika Anda memiliki pertanyaan tentang peralatan Dyson Anda, hubungi kami melalui situs Dyson atau hubungi Saluran Bantuan Dyson dengan menyebutkan nomor seri dan perincian di mana dan kapan Anda membeli peralatan tersebut.

CN

戴森贸易(上海)有限公司

china.service@dyson.com

4009 202 808

上海市黄浦区黄陂南路838弄1号4幢名义楼层12层  
(实际楼层为11层)

www.dyson.cn

HK

捷成消费品服务中心(香港)

pidcs@jebesen.com

(852) 2926 2300

香港九龍旺角太子道西193號新世紀廣場2座18樓1815室

www.dyson.hk

ID

cs.dyson@e-metrox.com

+62 21 2788 3555 (ext. 3222) | +62 21 5082 2950

+62 81211761750 (Call & WhatsApp)

PT. Metrox Mekanika

Satrio Tower, 21st Floor

Jl. Prof. Dr Satrio Kav. C4

Kel. Kuningan Timur, Kec. Setiabudi

Jakarta 12950

www.dyson.co.id

KR

다이슨 고객센터

help@kr.dyson.com

1588 4253

MY

Dyson Helpline

+603 7969 1313

dysoncs@dancom.com.my

A-11-P1 & Mezz, Jaya One, 72A Jalan University,

46200 Petaling Jaya, Selangor

www.dyson.my

PH

Whiteplane Inc.

dysonservice@whiteplanefinc.com

21F Taipan Place, Emerald Avenue, Ortigas Center,

Pasig City, Philippines

+632 8451 1111

www.dyson.ph

SG

Dyson Customer Care

1800-3976674

www.dyson.com.sg

TH

ศูนย์บริการลูกค้า Dyson

บริษัท เซ็นทรัล เทรดดิ้ง จำกัด (สำนักงานใหญ่)

ask.dyson@cmg.co.th

+66 2026 6325

ชั้น 6 อาคารสิรินธร 3388/25-37 ถ.พระราม 4 แขวงคลองตัน

เขตคลองเตย กรุงเทพฯ 10110

TW

戴森消費服務中心

service@hlh.com.tw

0800 251 209

台灣區獨家總代理

恆隆行貿易股份有限公司

台北市內湖區洲子街 88 號 7 樓

www.dyson.tw